



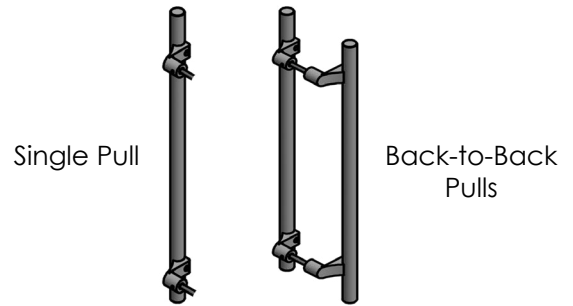
- Download File from Website
- Fill out form
- SUBMIT

AB3310, AB3311, AB3312 SERIES

Custom Offset Flat End Pull Handle

ORDER FORM

Order Date:
 Company Name:
 Customer P.O. Number:
 Contact Name:
 Quantity:



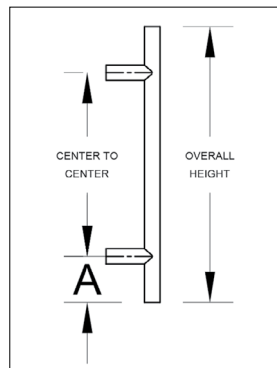
MODEL#: AB3310 (1" dia.) AB3311 (1 1/4" dia.) AB3312 dia. (1 1/2" dia.)

STANDARD

Option 1

Equal Distance between Standoff's and ends

- Standard*
- 12"- 36" (2 Standoff's) A=3"
 - 37"- 72" (2 Standoff's) A=6"
 - 73"- 120" (3 Standoff's) A=3"
- (Third Standoff Centered in Height)



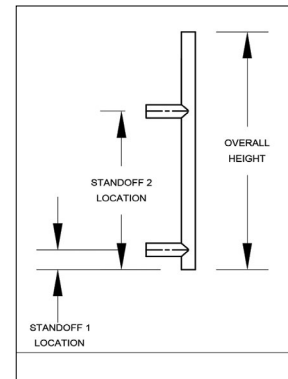
Center to Center:

End of pull to Center of Standoff: Standard*

CUSTOM

Option 2

Unequal Distance between Standoff's and ends



Overall Height:

Other

Standoff Length: 1 1/4" Standard 2 1/2" Custom
 Door Type: Glass Wood Metal
 Door Thickness: 1/2" Glass 1 3/4" 2 1/4" Other

Finish: US32D US32 US3 US4 US9 US10 US10B
 BLACK POWDER WHITE POWDER OTHER

Mounting Type - Single Side: Thru Bolt 1HD Decorative Thru Bolt 12HD Glass Door Thru Bolt 15HD Concealed 6HD Concealed 8HD
 (Choose Single or Back-to-Back) Back-to-Back: Type 5HD Type 13HD

Engraving Type (optional): Push Pull Push/Pull (Back-to-Back)

Option 2 ONLY:

- Bottom of Pull to Center of Bottom Standoff:
- Bottom of Pull to Center of Top Standoff:

(Fill in above for Option 2 Only)