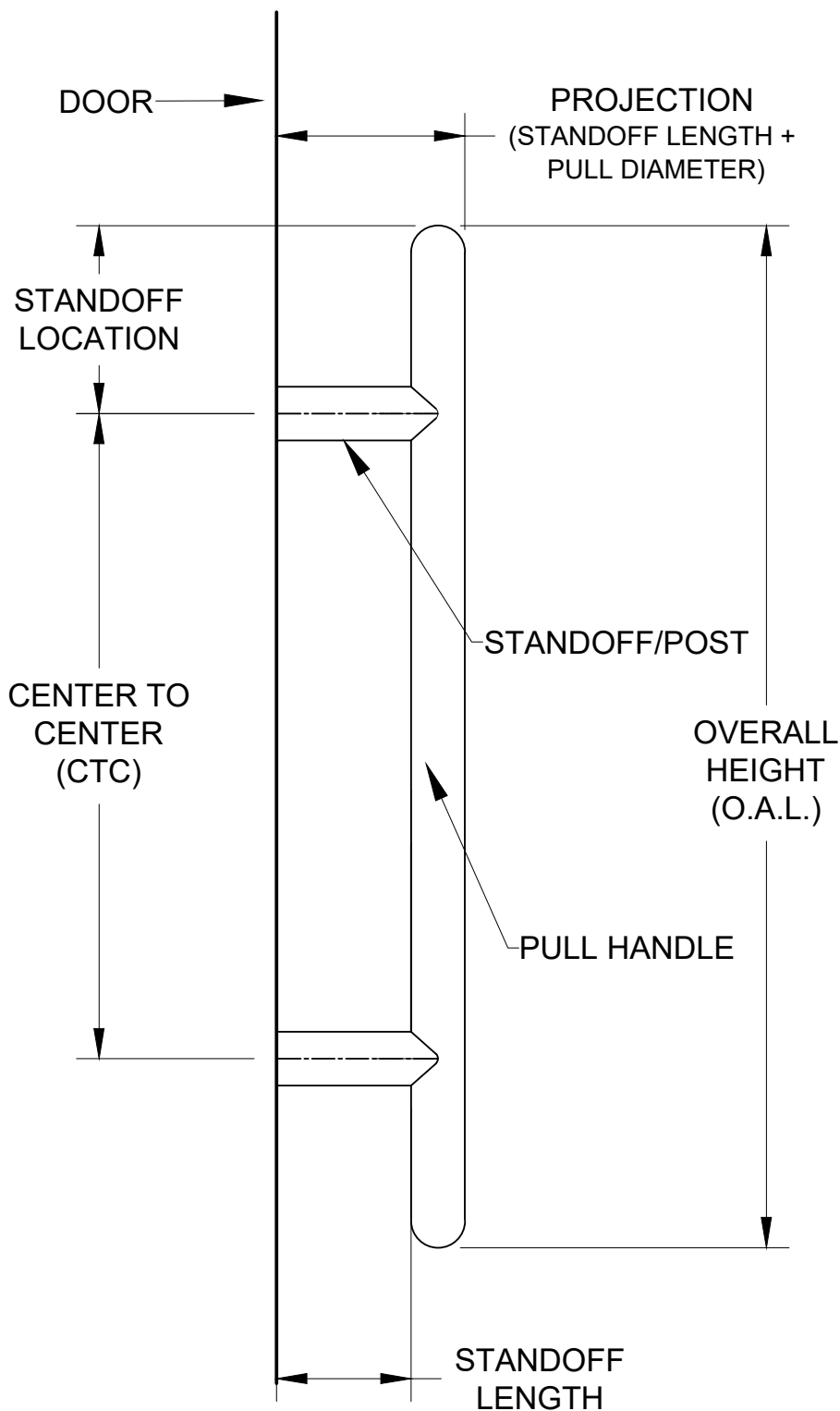


STRAIGHT, ROUND END PULL HANDLE

AB3320 (Ø1), AB3321 (Ø1-1/4"), AB3322 (Ø1-1/2")



STANDOFF LOCATION

STANDARD

(TOP OF PULL TO C/L OF STANDOFF)

12" - 36" (2 Standoffs) = 3"

37" - 72" (2 Standoffs) = 6"

73" - 96" (3 Standoffs) = 3"
(THIRD STANDOFF CENTERED
IN HEIGHT)

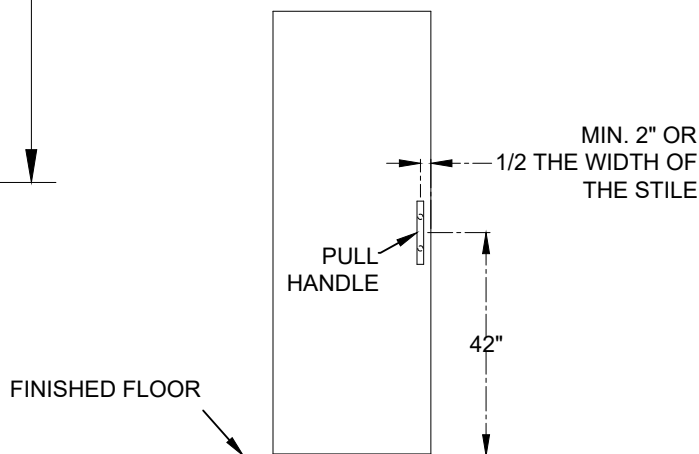
CUSTOM LOCATIONS AVAILABLE.
CONTACT FACTORY.

STANDARD

| OAL* | CTC* | STANDOFF LENGTH* |
|------|------|------------------|
| 12" | 6" | 1-3/4" |
| 24" | 18" | 1-3/4" |
| 36" | 30" | 1-3/4" |
| 48" | 36" | 1-3/4" |
| 60" | 48" | 1-3/4" |
| 72" | 60" | 1-3/4" |
| 84" | 78" | 1-3/4" |
| 96" | 90" | 1-3/4" |

*CUSTOM PULL AND STANDOFF LENGTHS AVAILABLE.
CONTACT FACTORY.

RECOMMENDED PULL LOCATION ON DOOR



NOTES:

1. ALL DIMENSIONS ARE IN INCHES.
2. DO NOT SCALE DRAWING.
3. MATERIAL: STAINLESS STEEL

ABH
MANUFACTURING INC.

www.abhmfg.com
E-mail: abhinfo@abhmfg.com
Architectural Builders Hardware Mfg., Inc.
1222 Ardmore Ave., Itasca, IL 60143
630.875.9900; FAX 800.9FAXABH (932.9224)

© 2022 ABH Mfg., Inc.
printed in USA

AB3320
PULL HANDLE
PAGE 1 OF 2
ISSUED 4-14-22

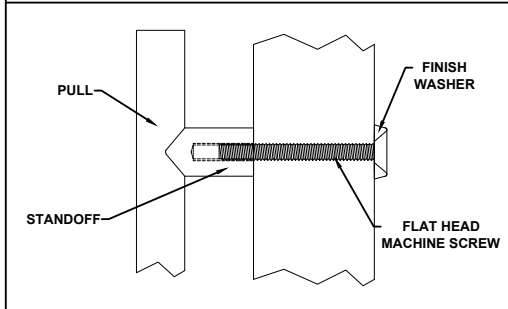
AB3320-00.DWG

STRAIGHT, ROUND END PULL HANDLE

AB3320 (Ø1), AB3321 (Ø1-1/4"), AB3322 (Ø1-1/2")

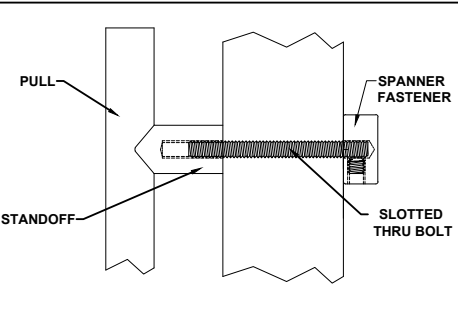
MOUNTING OPTIONS

**TYPE 1 - THRU BOLT W/ FINISH WASHER
(WOOD OR METAL DOORS)**



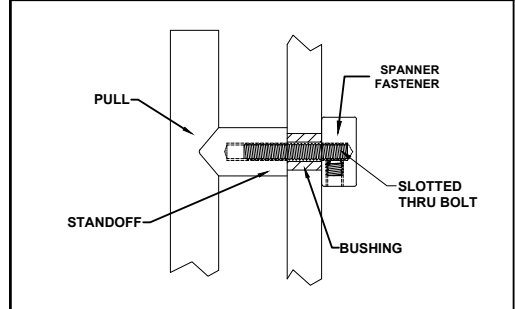
| Type | Bolt Size | Drill Size |
|------|-----------|------------|
| 1HD | 5/16-18 | 11/32" |

**TYPE 12 - DECORATIVE THRU BOLT
(WOOD OR METAL DOORS)**



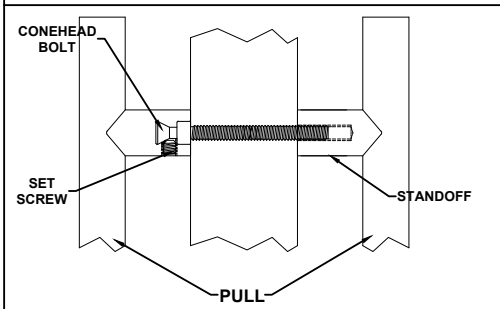
| Type | Bolt Size | Drill Size |
|------|-----------|------------|
| 12HD | 5/16-18 | 11/32" |

**TYPE 15 - DECORATIVE THRU BOLT
(GLASS DOORS)**



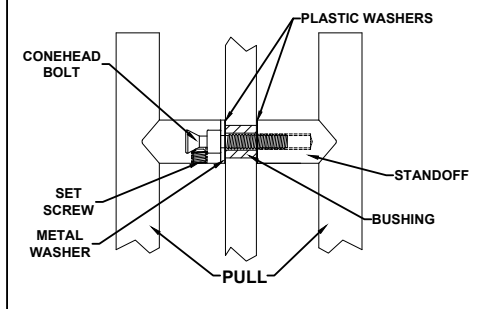
| Type | Bolt Size | Drill Size |
|------|-----------|------------|
| 15HD | 5/16-18 | 5/8" |

**TYPE 5 - BACK-TO-BACK MOUNTING
(WOOD OR METAL DOORS)**



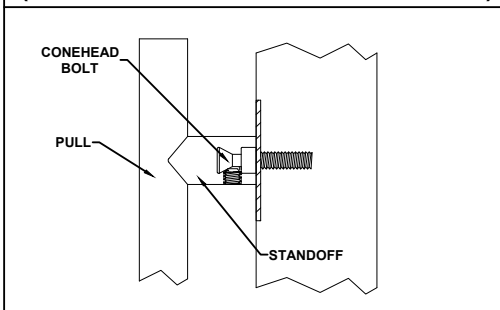
| Type | Bolt Size | Drill Size |
|------|-----------|------------|
| 5HD | 5/16-18 | 11/32" |

**TYPE 13 - BACK-TO-BACK MOUNTING
(GLASS DOORS)**



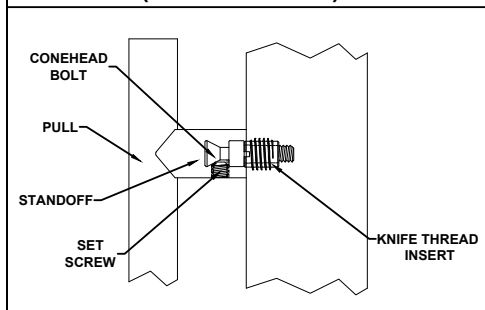
| Type | Bolt Size | Drill Size |
|------|-----------|------------|
| 13HD | 5/16-18 | 11/32" |

**TYPE 6 - SURFACE CONCEALED
(METAL DOORS W/ REINFORCEMENT)**



| Type | Bolt Size | Drill Size |
|------|-----------|-------------|
| 6HD | 5/16-18 | 5/16-18 TAP |

**TYPE 8 - SURFACE CONCEALED
(WOOD DOORS)**



| Type | Bolt Size | Drill Size |
|------|-----------|----------------|
| 8HD | 5/16-18 | 7/16"-9/16 DP. |