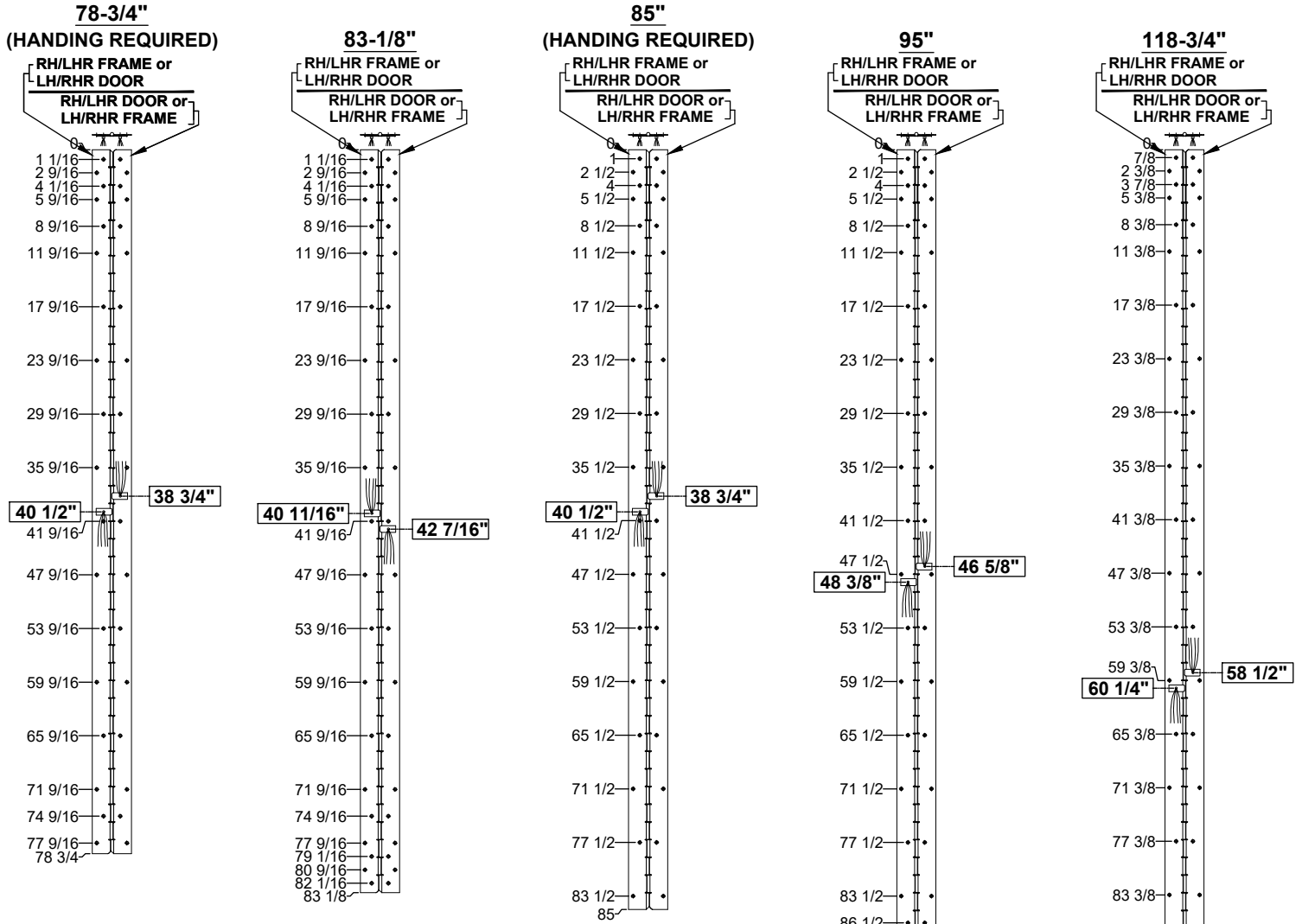


# AC500 - TW or EZ OPTION, ALL CLOSED, CONCEALED ELECTRIFICATION STAINLESS STEEL HINGE, FULL CONCEALED, EDGE MOUNT

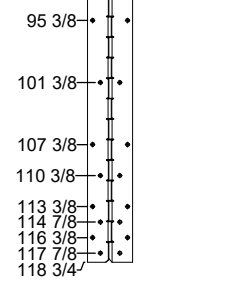
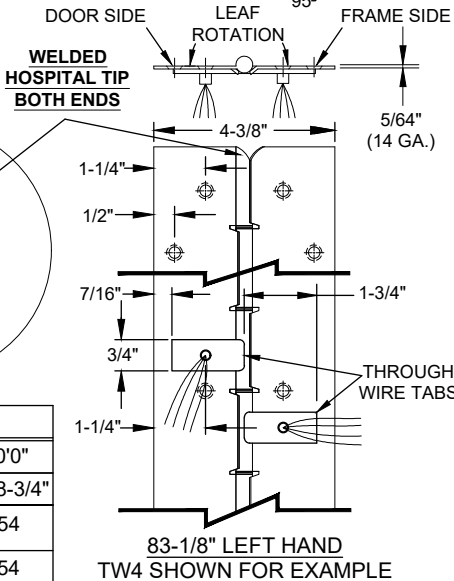
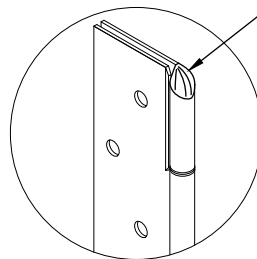


- NOTES:**
- HINGE INSTALLED FLUSH TO THE TOP OF THE DOOR.
  - FRAME LOCATION WILL BE THE CLEARANCE BETWEEN BOTTOM OF HEADER & TOP OF DOOR + THE HINGE DIMENSION.
  - HINGES CUT TO CUSTOM LENGTH ARE CUT FROM BOTTOM OF HINGE.
  - SPECIFY HANDING WHEN ORDERING.
  - SPECIFY WIRE CONFIGURATION WHEN ORDERING, TEMPLATE REMAINS THE SAME.

- CT4
- CT8
- CT12
- CT4 x EZ \*
- CT8 x EZ \*
- CT12 x EZ \*

\* SPECIFY ELECTRIFIED HARDWARE MANUFACTURER FOR CONNECTOR COMPATIBILITY

- IF "M" OPTION (MOVEABLE PANEL) IS CHOSEN, TEMPLATE REMAINS THE SAME.
- 30 AWG WIRES, APPROX. 4" LONG PER SIDE, RATED 2 AMP CONTINUOUS LOW VOLTAGE.
- THRU WIRE LOCATION DIMENSIONS +/- 1/16".



**STANDARD HINGE SIZES & SCREW DETAIL**

NOMINAL DOOR HEIGHT	6'8"	7'0"	7'2"	8'0"	10'0"
ACTUAL HINGE HEIGHT	78-3/4"	83-1/8"	85"	95"	118-3/4"
10-24 x 7/8" PHILLIPS FLAT HEAD, UNDERCUT, SELF-DRILLING MACHINE SCREW	36	42	36	46	54
#10 x 1-1/4" PHILLIPS FLAT HEAD, UNDERCUT, SHEET METAL SCREW	36	42	36	46	54

NOTE: THIS DRAWING IS NOT TO SCALE.

AC500-TW or EZ OPTION, ALL CLOSED STAINLESS STEEL HINGE-1-00.DWG

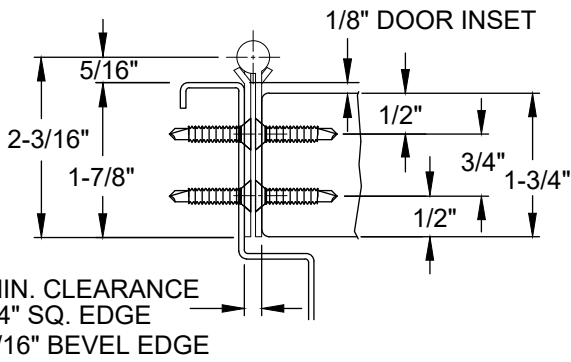


www.abhmfg.com  
E-mail: abhinfo@abhmfg.com  
Architectural Builders Hardware Mfg., Inc.  
1222 Ardmore Ave., Itasca, IL 60143  
630.875.9900; FAX 800.9FAXABH (932.9224)

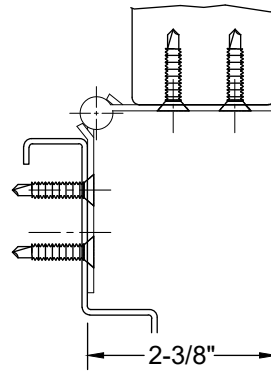
© 2022 ABH Mfg., Inc.  
printed in USA

## AC500-"TW" or "EZ" OPTION, ALL CLOSED CONCEALED ELECTRIFICATION

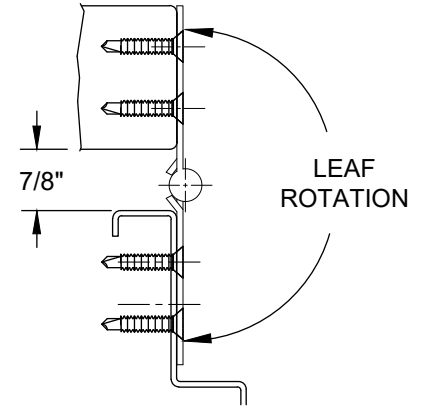
# AC500 - TW or EZ OPTION, ALL CLOSED, CONCEALED ELECTRIFICATION STAINLESS STEEL HINGE, FULL CONCEALED, EDGE MOUNT



**CLOSED POSITION**  
( WIRES NOT SHOWN)

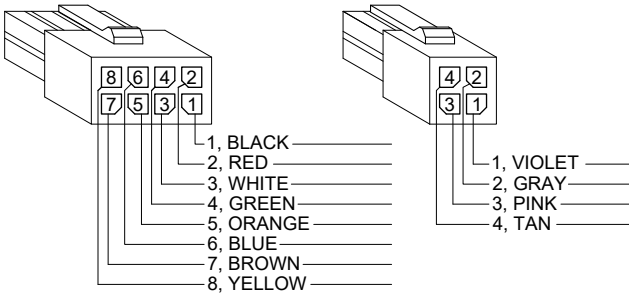


**90° OPEN POSITION**  
( WIRES NOT SHOWN)

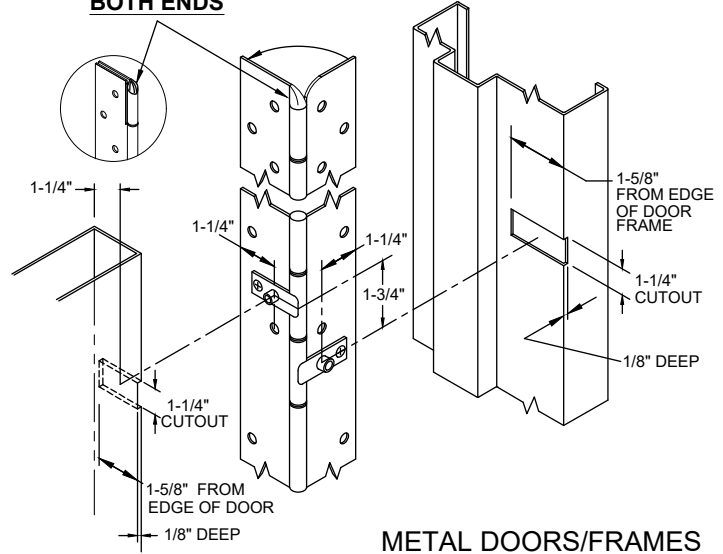


**180° OPEN POSITION**  
( WIRES NOT SHOWN)

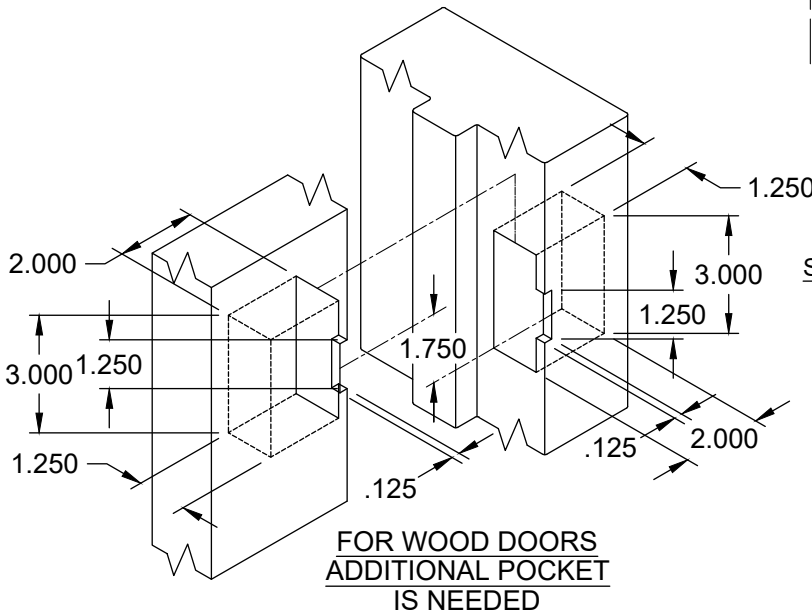
## EZ CONNECT OPTION



## WELDED HOSPITAL TIP BOTH ENDS



**METAL DOORS/FRAMES**



**83-1/8" LEFT HAND SHOWN FOR EXAMPLE**

AC500-TW or EZ OPTION, ALL CLOSED STAINLESS STEEL HINGE-2-00.DWG



www.abhmfg.com  
E-mail: abhinfo@abhmfg.com  
Architectural Builders Hardware Mfg., Inc.  
1222 Ardmore Ave., Itasca, IL 60143  
630.875.9900; FAX 800.9FAXABH (932.9224)

**AC500-"TW" or "EZ" OPTION, ALL CLOSED  
CONCEALED ELECTRIFICATION**

© 2022 ABH Mfg., Inc.  
printed in USA

PAGE 2 OF 2  
ISSUED 02-07-22