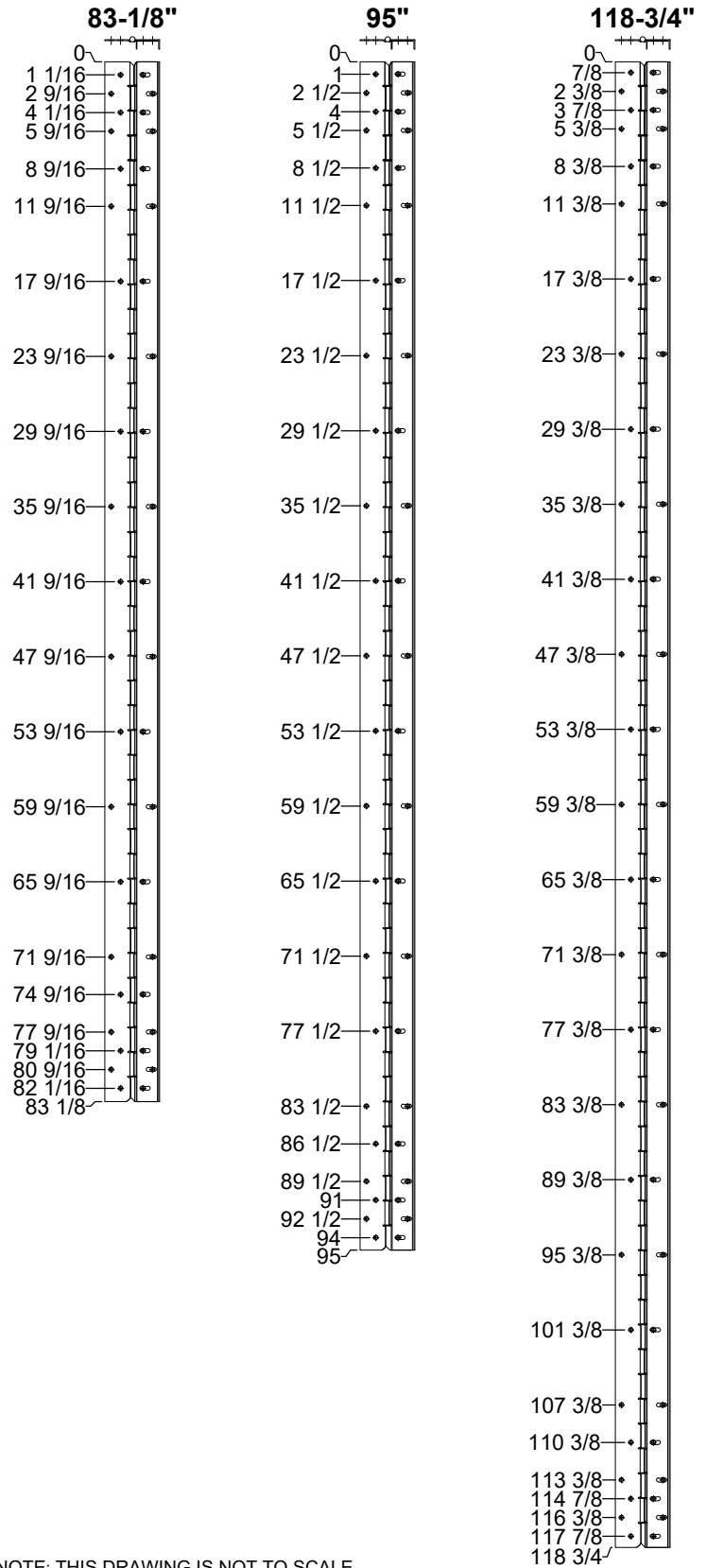
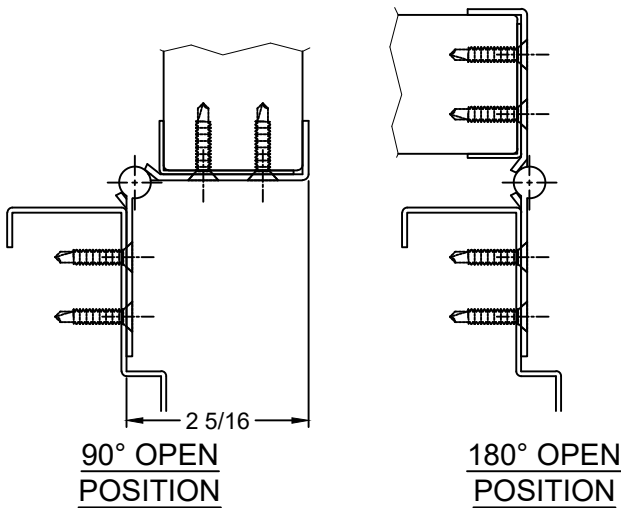
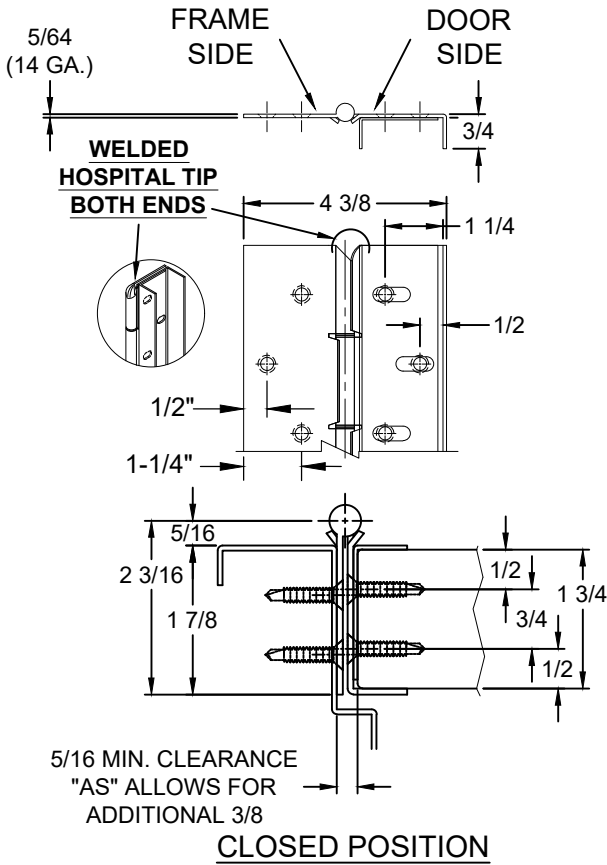


AC505 - ALL CLOSED STAINLESS STEEL HINGE, WITH DUAL EDGE GUARD



NOTE: HINGES CUT TO CUSTOM LENGTH ARE CUT FROM THE BOTTOM - AC505 DOES REQUIRE HANDING WHEN CUT.

STANDARD HINGE SIZES & SCREW DETAIL			
NOMINAL DOOR HEIGHT	7'0"	8'0"	10'0"
ACTUAL HINGE HEIGHT	83-1/8"	95"	118-3/4"
10-24 x 7/8" PHILLIPS FLAT HEAD, UNDERCUT, SELF-DRILLING TEK MACHINE SCREW	42	46	54
#10 x 1-1/4" PHILLIPS FLAT HEAD, UNDERCUT, SHEET METAL SCREW	42	46	54

NOTE: THIS DRAWING IS NOT TO SCALE.

AC505-ALL CLOSED STAINLESS STEEL HINGE-00.DWG



www.abhmfg.com
 E-mail: abhinfo@abhmfg.com
 Architectural Builders Hardware Mfg., Inc.
 1222 Ardmore Ave., Itasca, IL 60143
 630.875.9900; FAX 800.9FAXABH (932.9224)

AC505 ALL CLOSED STAINLESS STEEL HINGE

© 2020 ABH Mfg., Inc.
 printed in USA

PAGE 1 OF 1
 ISSUED 08-27-20