

EXIT DEVICE INSTALLATION INSTRUCTIONS

K-126 (SINGLE) AND K-226 (DUAL) SWITCH KIT

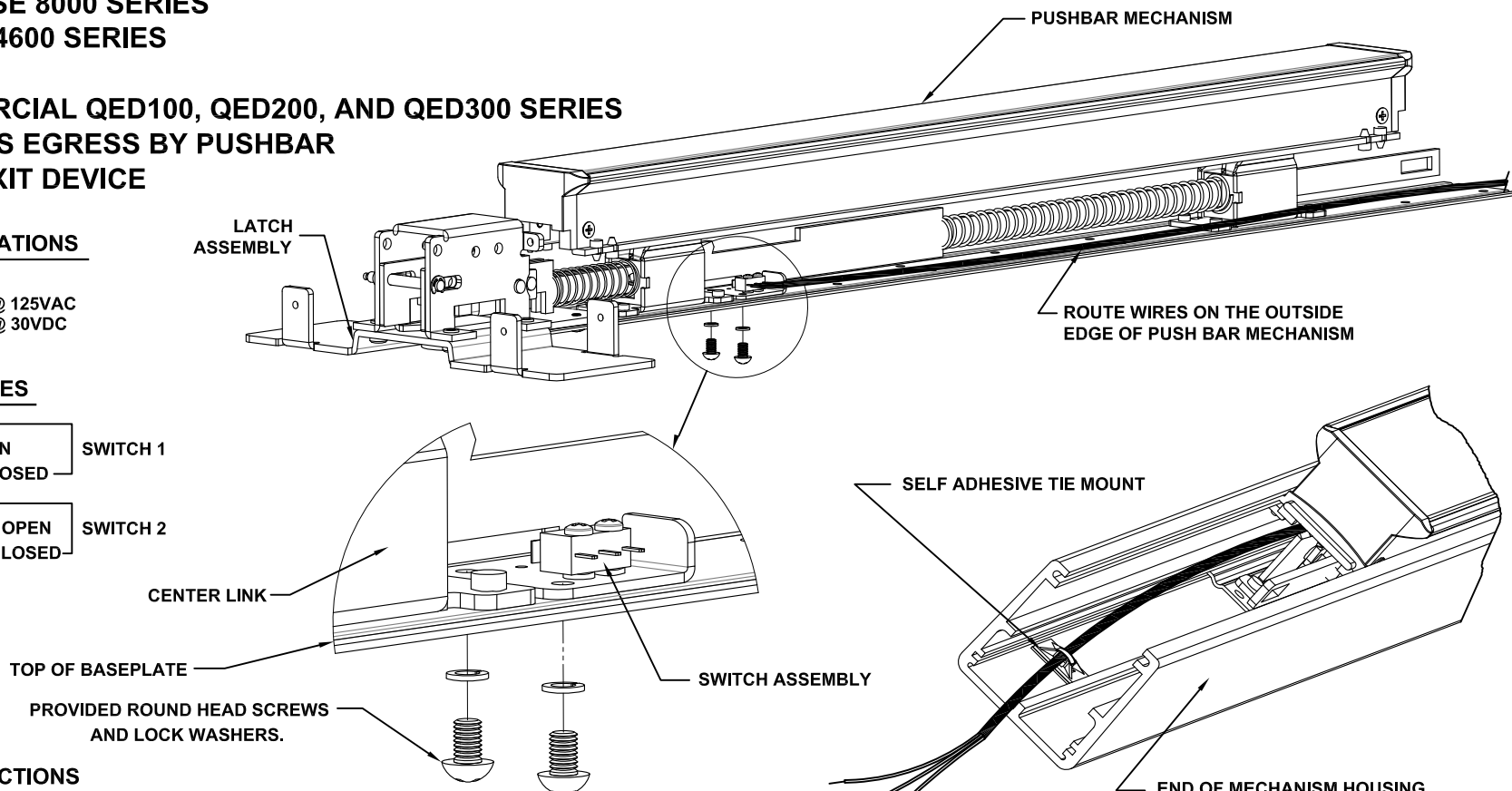
THASE ENTERPRISE 8000 SERIES
HAGER 4500 AND 4600 SERIES
PDQ 6200 SERIES
STANLEY COMMERCIAL QED100, QED200, AND QED300 SERIES
SWITCH MONITORS EGRESS BY PUSHBAR
ACTIVATION OF EXIT DEVICE

ELECTRICAL SPECIFICATIONS

- SPDT MONITOR SWITCH
- CONTACT RATING: 3 AMP @ 125VAC
2 AMP @ 30VDC

COLOR CODE FOR WIRES

- | | |
|--------------------------------|----------|
| - YELLOW WIRE: COMMON | SWITCH 1 |
| - RED WIRE: NORMALLY OPEN | |
| - GRAY WIRE: NORMALLY CLOSED | |
| - BLACK WIRE: COMMON | SWITCH 2 |
| - ORANGE WIRE: NORMALLY OPEN | |
| - VIOLET WIRE: NORMALLY CLOSED | |



INSTALLATION INSTRUCTIONS

- STEP 1: REMOVE CHASSIS COVER FROM DEVICE.
- STEP 2: SEPARATE PUSHBAR AND LATCH ASSEMBLY FROM MECHANISM HOUSING.
- STEP 3: PLACE SWITCH ASSEMBLY INTO DEVICE AS SHOWN. ASSEMBLY FITS OVER TOP OF EXISTING HOLES.
- STEP 4: MAKE SURE SWITCH ARM IS PLACED ON OUTSIDE OF THE CENTER LINK ON THE PUSHBAR SO THAT THE SWITCH IS PREACTIVATED.
- STEP 5: USE PROVIDED ROUND HEAD SCREWS AND LOCK WASHERS TO SECURE SWITCH ASSEMBLY TO PUSHBAR BASEPLATE.
- STEP 6: CHECK FOR PROPER SWITCH ACTIVATION WHEN PUSHBAR IS FULLY DEPRESSED SWITCH SHOULD ACTIVATE.
- STEP 7: RUN THE WIRES ALONG THE OUTSIDE EDGE OF THE PUSHBAR MECHANISM.
- STEP 8: RE-ASSEMBLE THE MECHANISM HOUSING ONTO THE PUSHBAR MECHANISM.
- STEP 9: SECURE SELF ADHESIVE TIE MOUNT HOLDER TO BOTTOM OF MECHANISM HOUSING IN THE END OF DEVICE AS SHOWN.
- STEP 10: MAKE SURE COLOR CODE FOR WIRES IS USED FOR PROPER HOOK-UP OF SWITCH CONTACTS.

