

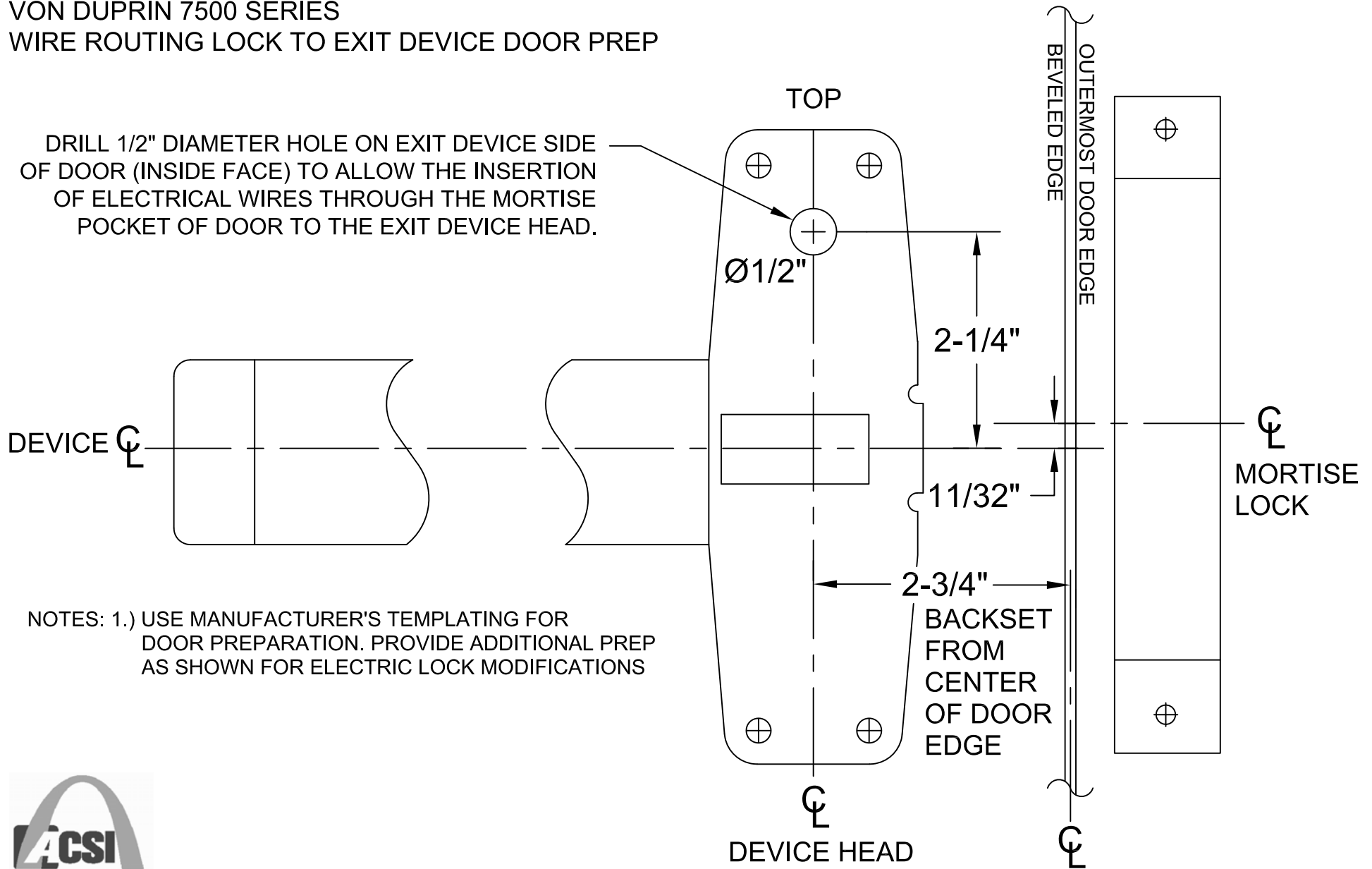
ELECTRIC TRIM CONTROL TEMPLATE

MODEL ME1510C AND ME1520C

VON DUPRIN 7500 SERIES

WIRE ROUTING LOCK TO EXIT DEVICE DOOR PREP

DRILL 1/2" DIAMETER HOLE ON EXIT DEVICE SIDE OF DOOR (INSIDE FACE) TO ALLOW THE INSERTION OF ELECTRICAL WIRES THROUGH THE MORTISE POCKET OF DOOR TO THE EXIT DEVICE HEAD.



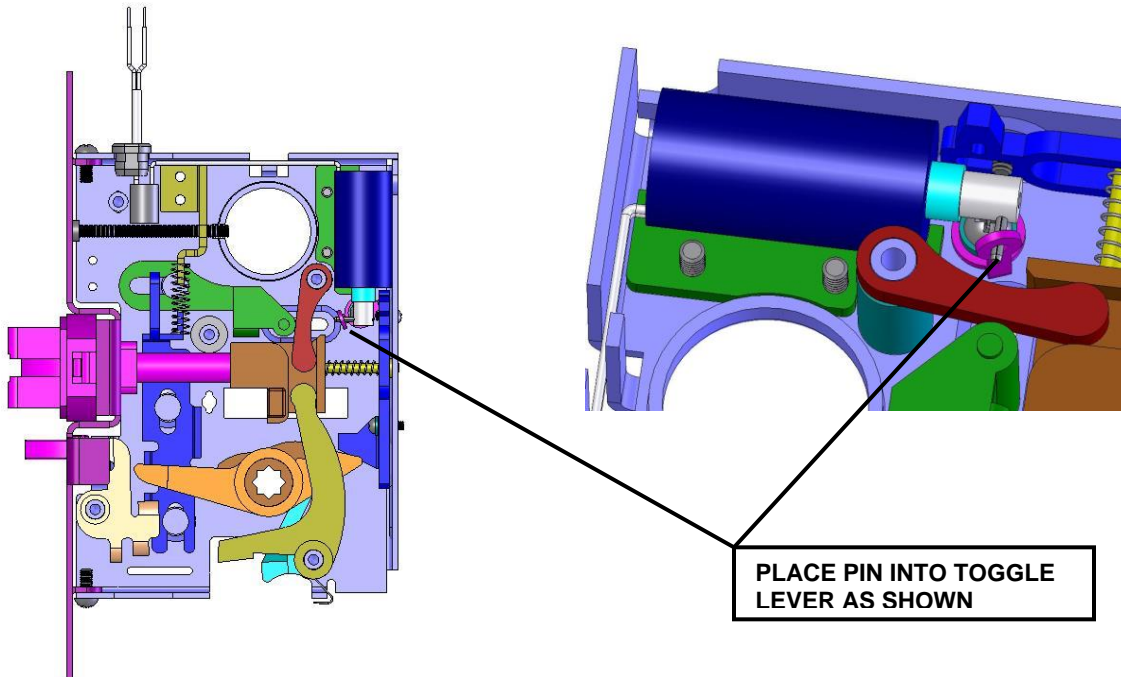
NOTES: 1.) USE MANUFACTURER'S TEMPLATING FOR DOOR PREPARATION. PROVIDE ADDITIONAL PREP AS SHOWN FOR ELECTRIC LOCK MODIFICATIONS



VON DUPRIN 7500 SERIES ELECTRIC LOCK ME1510/1520C FUNCTION CHANGE INSTRUCTIONS

TO CHANGE THE LOCKING FUNCTION FOLLOW THE INSTRUCTIONS BELOW
CAREFULLY.

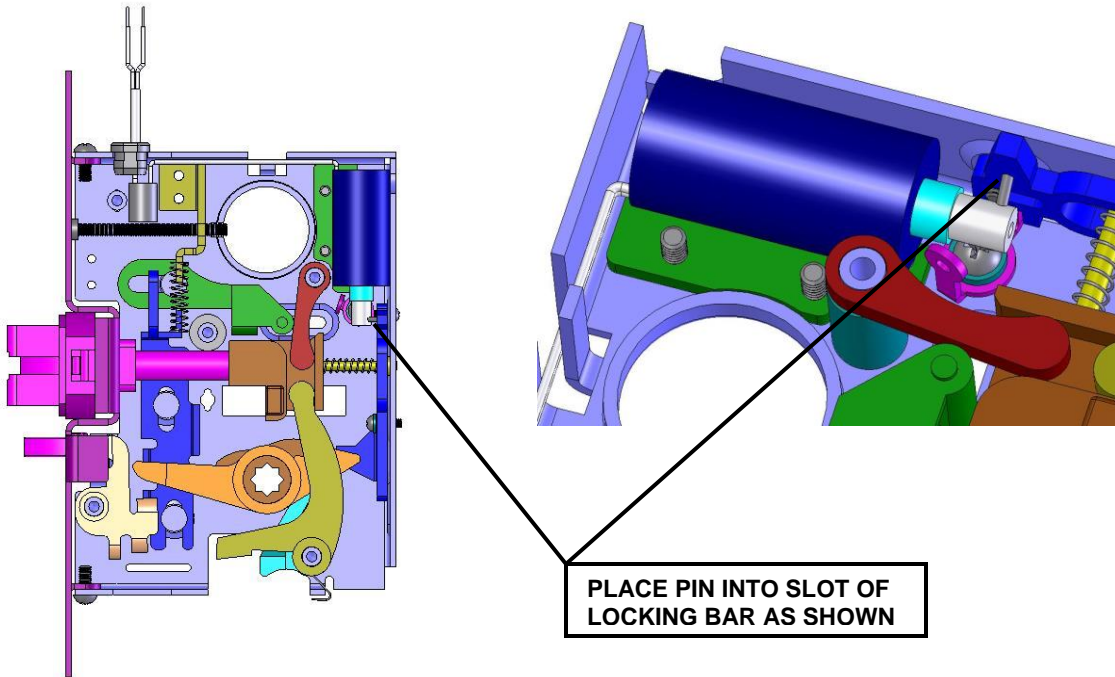
ME1510C FAIL SAFE FUNCTION (POWER LOCK)



- REMOVE THE 4 COVER SCREWS AND THE COVER.
- LIFT SOLENOID AND PLUNGER UP ENOUGH TO ROTATE THE PIN INTO THE HOLE OF THE TOGGLE LEVER AS SHOWN ABOVE.
- MAKE SURE THAT SOLENOID IS POSITIONED BACK INTO HOLDER.
- REPLACE COVER AND SCREWS.



ME1520C FAIL SECURE FUNCTION (POWER UNLOCK)



- REMOVE THE 4 COVER SCREWS AND THE COVER.
- LIFT SOLENOID AND PLUNGER UP ENOUGH TO ROTATE THE PIN INTO THE SLOT OF THE LOCKING BAR AS SHOWN ABOVE.
- MAKE SURE THAT SOLENOID IS POSITIONED BACK INTO HOLDER.
- REPLACE COVER AND SCREWS.

ELECTRICAL SPECIFICATION

NOTE: ALL SOLENOIDS ARE CONTINUOUS DUTY TYPE. KEEP OPERATING VOLTAGE AT +/- 10% OF RATED VOLTAGE.

VOLTAGE	AMP
12 VAC/DC	.612 A
12 VDC	.612 A
24 VAC/DC	.330 A
24 VDC	.330 A



2720 CLARK AVE., ST. LOUIS, MO 63103 (800) 753-5558