

# EXIT DEVICE INSTALLATION INSTRUCTIONS

## K-124 SWITCH KIT

### PRECISION 2000 SERIES EXIT DEVICES

### SWITCH MONITORS EGRESS BY PUSHBAR ACTIVATION OF EXIT DEVICE

#### DIRECTIONS

STEP 1: REMOVE 2 SCREWS THAT RETAIN DEVICE CHANNEL TO PUSH PAD MECHANISM LOCATED NEAR HEAD OF DEVICE ON BOTTOM.

STEP 2: REMOVE DEVICE CHANNEL.

STEP 3: REMOVE 4 SCREWS THAT RETAIN PUSH PAD TO DEVICE MECHANISM 2 PER SIDE AND REMOVE PUSH PAD.

STEP 4: PLACE K-124 SWITCH ASSEMBLY ON THE BACK SIDE OF THE REAR PUSH BAR MECHANISM. MAKE SURE THAT SWITCH ARM IS LOCATED ON TOP OF PUSH PAD MECHANISM AS SHOWN IN DRAWING ABOVE.

STEP 5: USE THE 2 EACH #6 X 3/16" SCREWS TO FASTEN BRACKET TO SIDE OF PUSH PAD MECHANISM. BRACKET HOLES LINE UP WITH EXISTING SLOTS IN THE PUSH PAD MECHANISM.

STEP 6: TIGHTEN SCREWS, CHECK SWITCH FOR PROPER ACTIVATION ADJUST AS NECESSARY.

STEP 7: REPLACE PUSH PAD AND 4 SCREWS. THEN REPLACE DEVICE CHANNEL AND 2 SCREWS.

STEP 8: TEST DEVICE FOR PROPER PUSH PAD ACTIVATION.

#### WIRING DIAGRAM

YELLOW - COMMON

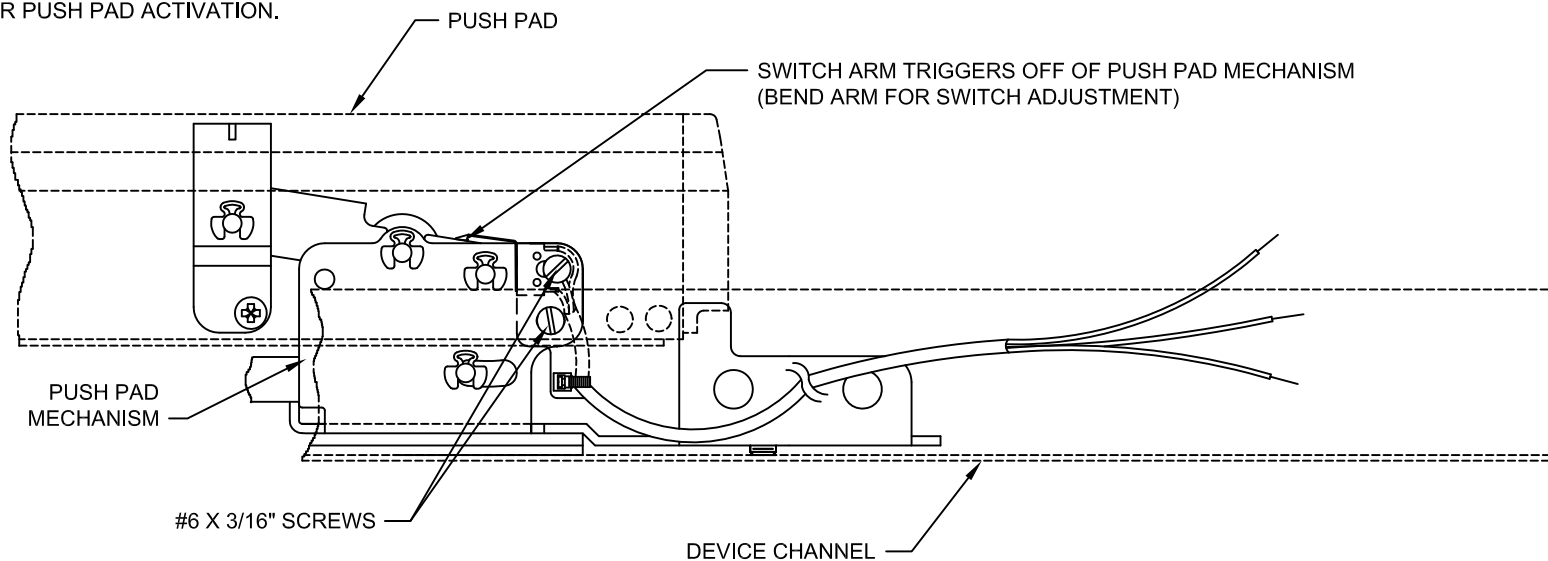
RED - NORMALLY OPEN

GRAY - NORMALLY CLOSED

#### ELECTRICAL SPECIFICATIONS

3 AMP @ 125 VAC

2 AMP @ 30 VDC



2720 CLARK AVE., ST. LOUIS, MO 63103 (800) 753-5558

REV. 11/2017

II - E1500-12