

107S Conversion Kit for Schlage® Cylinders

ASSA ABLOY

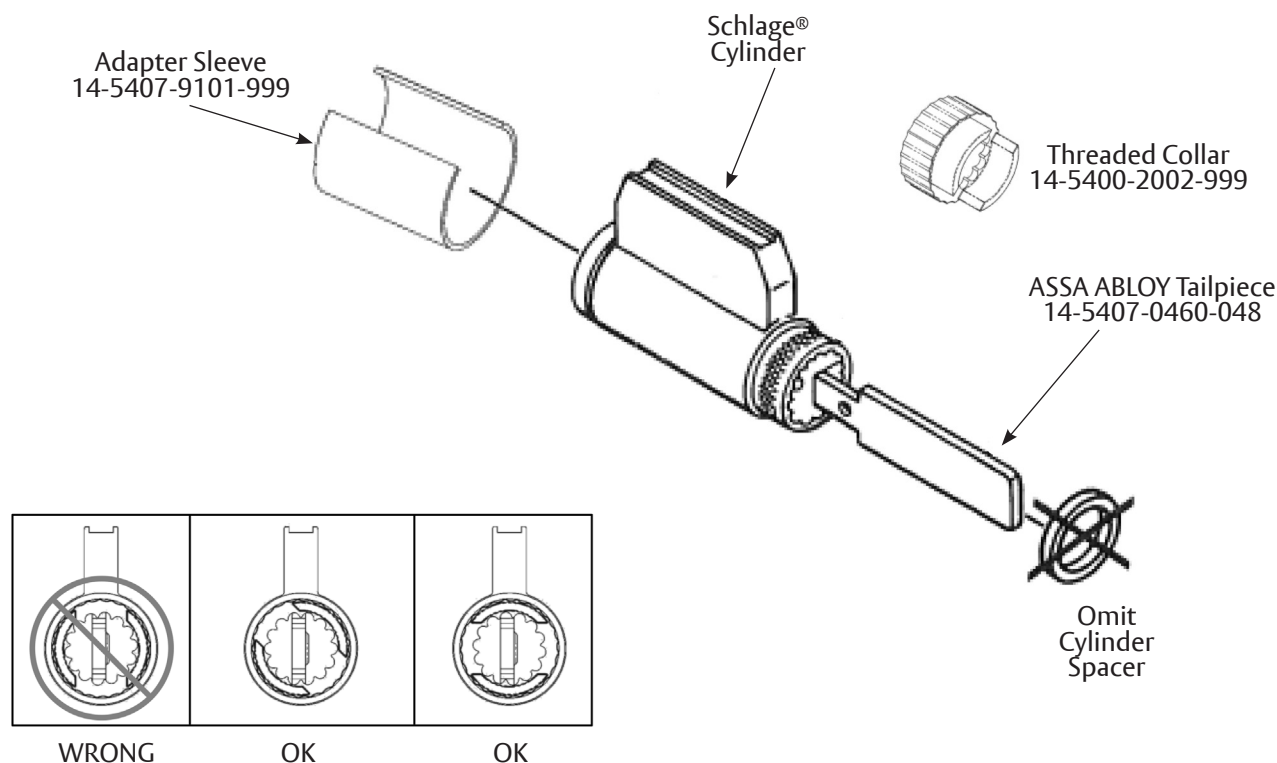
When Used in 5400LN Locks

Installation Instructions

1. Remove the key from the cylinder.
2. Remove threaded collar and Schlage® tailpiece.
3. Install ASSA ABLOY tailpiece with threaded collar. (Adjust collar for proper end play of plug.)

Note: Orientation of the replacement threaded collar is critical. Allow slot and cylinder bible to align. See graphic below.

4. Slide shell sleeve onto cylinder.
5. Follow instructions packed with lock to install cylinder into lever handle.



⚠ WARNING

This product can expose you to lead which is known to the state of California to cause cancer and birth defects or other reproductive harm. For more information go to www.P65warnings.ca.gov.

⚠ WARNING

Attention Installer: Any retrofit or other field modification to a fire rated opening can potentially impact the fire rating of the opening, and ASSA ABLOY makes no representations or warranties concerning what such impact may be in any specific situation. When retrofitting any portion of an existing fire-rated opening, or specifying and installing a new fire-rated opening, please consult with a code specialist or local code official (Authority Having Jurisdiction) to ensure compliance with all applicable codes and ratings.

80-9150-0045-010 11/23

1-800-438-1951 • www.assaabloy.com

Copyright © 1999, 2012, 2023, ASSA ABLOY Access and Egress Hardware Group, Inc. All rights reserved. Reproduction in whole or in part without the express written permission of ASSA ABLOY Access and Egress Hardware Group, Inc. is prohibited.

Experience a safer
and more open world