

N° 112 and 112-1/4 Boltlock

Auxiliary Heavy Duty Deadbolt

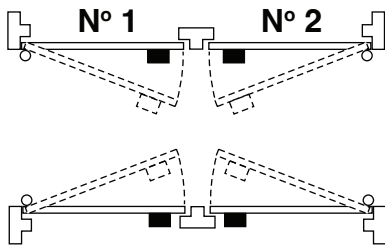
Installation Instructions

ACCENTRA

ASSA ABLOY

General Info

For wood doors 1-3/8" to 2-1/4" (35mm to 57mm) thick with wood frames.



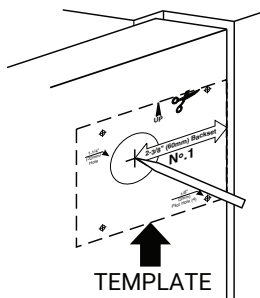
For 112-1/4 Only - One Way Screws

1. Temporarily attach lock to door with two (2) slotted screws.
2. Check alignment and operation of lock.
3. Install One-Way screws by replacing temporary screws.

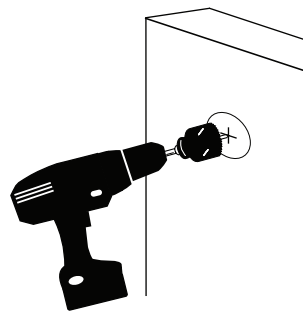
For Doors Opening Outward Use #12F Reverse Bevel Strike (Instructions and Strike Available Upon Request)

1. Wood Door Prep

A. Mark door.



B. Drill holes.



⚠ WARNING

This product can expose you to lead which is known to the state of California to cause cancer and birth defects or other reproductive harm. For more information go to www.P65warnings.ca.gov.

⚠ WARNING

Attention Installer: Any retrofit or other field modification to a fire rated opening can potentially impact the fire rating of the opening, and ASSA ABLOY ACCENTRA™ makes no representations or warranties concerning what such impact may be in any specific situation. When retrofitting any portion of an existing fire-rated opening, or specifying and installing a new fire-rated opening, please consult with a code specialist or local code official (Authority Having Jurisdiction) to ensure compliance with all applicable codes and ratings.

80-9350-0002-000 01/24

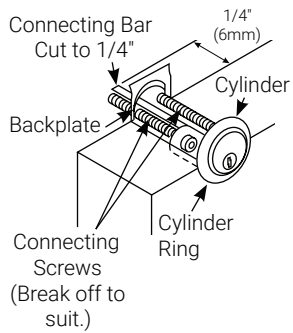
1-855-557-5078 • www.accentra-assaabloy.com

Copyright © 2018-2024, ASSA ABLOY Access and Egress Hardware Group, Inc. All rights reserved. Reproduction in whole or in part without the express written permission of ASSA ABLOY Access and Egress Hardware Group, Inc. is prohibited.

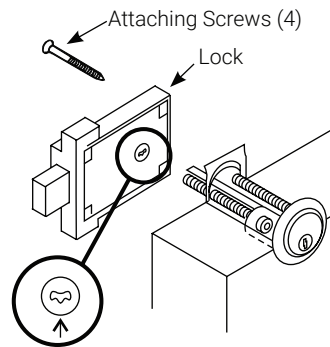
Experience a safer
and more open world

2. Lock Installation

A. Install cylinder.



B. Install lock.



3. Frame Prep and Strike Installation

A. Mortise frame to suit.

B. Drill pilot holes.

C. Install strike.

