

# 150 Series Door Closer

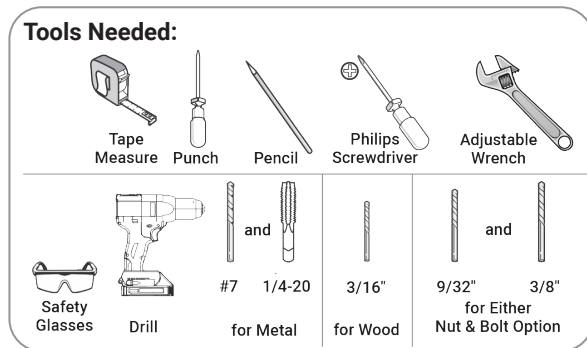
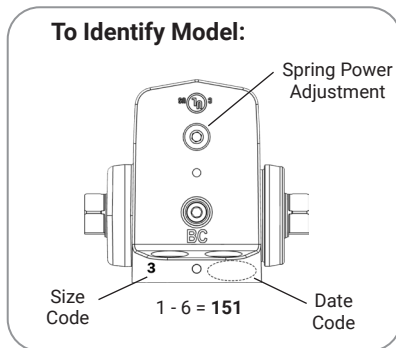
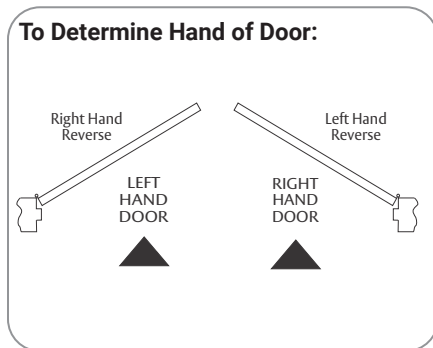
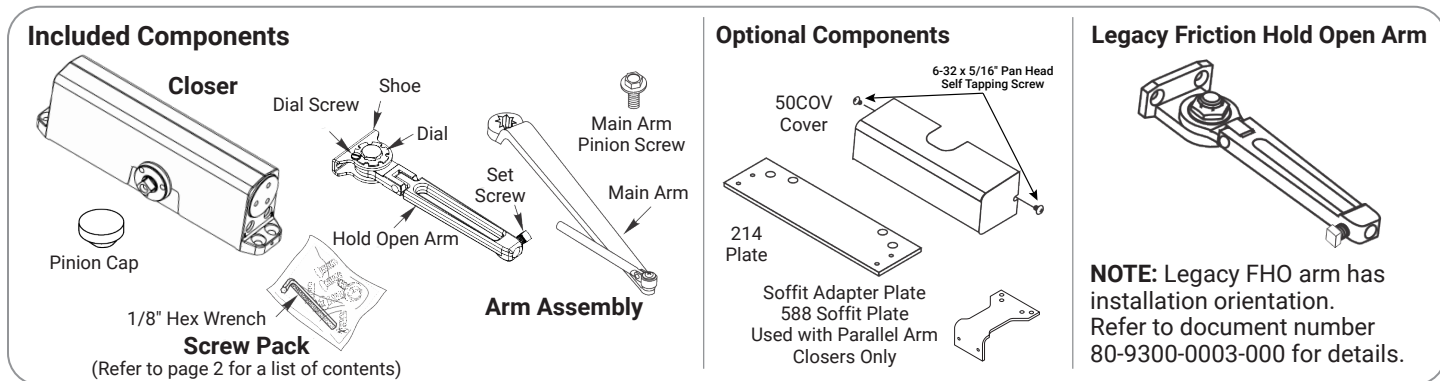
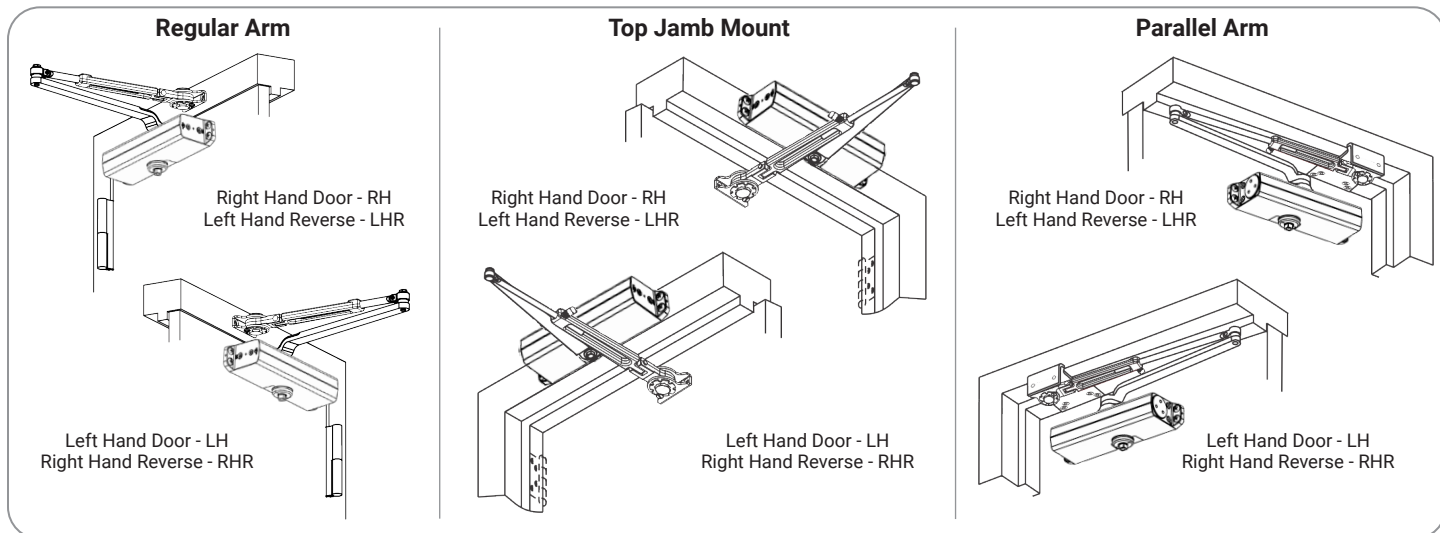
## Model 151

Regular, Top Jamb, and Parallel Arms, Hold Open  
Installation Instructions

# ACCENTRA

---

# ASSA ABLOY



### ⚠ WARNING

This product can expose you to lead which is known to the state of California to cause cancer and birth defects or other reproductive harm. For more information go to [www.P65warnings.ca.gov](http://www.P65warnings.ca.gov).

### ⚠ WARNING

Attention Installer: Any retrofit or other field modification to a fire rated opening can potentially impact the fire rating of the opening, and ASSA ABLOY makes no representations or warranties concerning what such impact may be in any specific situation. When retrofitting any portion of an existing fire-rated opening, or specifying and installing a new fire-rated opening, please consult with a code specialist or local code official (Authority Having Jurisdiction) to ensure compliance with all applicable codes and ratings.

855-557-5078 x 2 • [www.accentra-assaabloy.com](http://www.accentra-assaabloy.com)

Copyright © 2019, 2023, 2024, ASSA ABLOY ACCENTRA™ Access and Egress Hardware Group, Inc. All rights reserved. Reproduction in whole or in part without the express written permission of ASSA ABLOY Access and Egress Hardware Group, Inc. is prohibited.

80-9350-3504-010 Rev 3 05/24

Experience a safer  
and more open world






### ATTENTION:

An incorrectly installed or improperly adjusted door closer can cause property damage or personal injury. These installation instructions should be followed to avoid the possibility of misapplication or misadjustment.

- For special applications, a separate door and frame preparation template is packed with these instructions. Use this instruction sheet for installation sequence and closer adjustments only.
- Doors should be hung on ball bearing or anti-friction hinges.

- A separate door stop is recommended.
- Always consult door/frame manufacturer for fastener compatibility.
- Door and frame must be properly reinforced.
- Adjust closing time speed between 3 and 7 seconds from 90° to 0°.
- These door closers should NOT be installed on exposed side (weather side) of exterior doors.
- Dimensions are given in inches (millimeters).

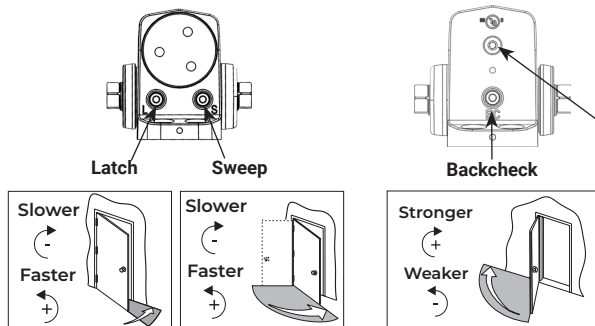
### Supplied Hardware

Mounting Hardware	Door or Frame	Drill
 <b>Closer, Holder Shoe, Holder, PA Bracket:</b> 1/4-14 x 1-1/2 Oval Flat Head Self Drilling. Screw	Wood/Metal	3/16" (4.8mm) for wood
 <b>Closer, Holder Shoe, Holder, PA Bracket:</b> 1/4-20 x 3/4 Oval Flat Head Mach. Screw	Metal	Drill #7 (.201 dia. or 5.1mm) Tap 1/4-20
 <b>H/O Shoe to Holder, PA Bracket:</b> 1/4-20 x 1/2 Oval Flat Head Mach. Screw	All	N/A
 <b>Closer:</b> Sleeve Nut and Bolt (SNB) (optional) with 1/4-20 x 3/4 Oval Flat Head Mach. Screw (recommended)	Hollow Metal	9/32" (7.0mm) thru 3/8" (9.5mm) door face opposite to closer
	Aluminum or Wood	3/8" (9.5mm) thru
 <b>Closer:</b> Thru Bolt and Grommet Nut (TBGN) (optional)	All	9/32" (7.0mm) thru 3/8" (9.5mm) dia. x 3/8" (9.5mm) deep, door face opposite to closer


### Closer Adjustments

 Use provided hex wrench to turn valves. NEVER force valves out of closer. NEVER completely close backcheck valve. Door must be open to adjust spring closing power. Refer to the chart.

Use of a power drill will void the Warranty.

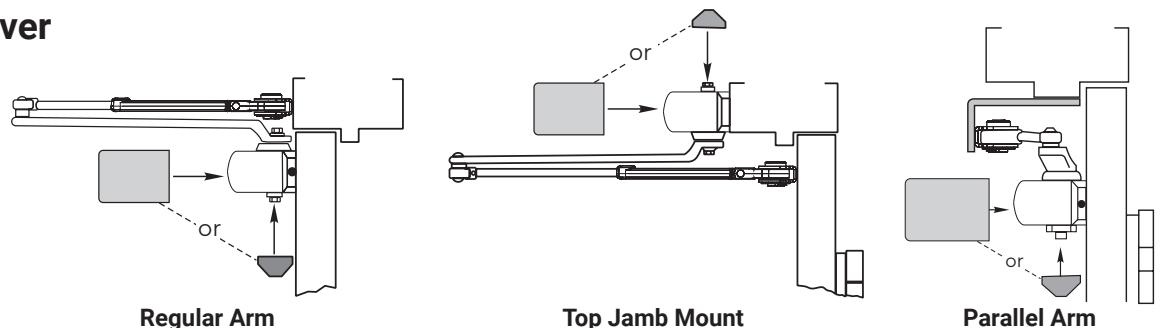


		Spring Closing Power	Number of Turns Required					
Door	Type of Installation *	*	Maximum Door Size					
			34" (0.85M)	36" (0.90M)	40" (1.00M)	44" (1.10M)	48" (1.20M)	
151	Interior	Full 360° Turns	Regular Arm Top Jamb	2	4	6	10	12
			Parallel Arm	3	5	8	11	14
	Exterior		Regular Arm Top Jamb	3	5	8	11	14
			Parallel Arm	5	8	11	16	19

\*30 Full (360°) turns maximum available  = turns as shipped

### Pinion Cap or Cover

 Do not over tighten cap or cover screws.



Experience a safer  
and more open world

855-557-5078 x 2 • www.accentra-assaabloy.com  
Copyright © 2019, 2023, 2024, ASSA ABLOY ACCENTRA™ Access and Egress Hardware Group, Inc. All rights reserved. Reproduction in whole or in part without the express written permission of ASSA ABLOY Access and Egress Hardware Group, Inc. is prohibited.

80-9350-3504-010 Rev 3 05/24

# Model 151

## Regular, Top Jamb, and Parallel Arms, Hold Open

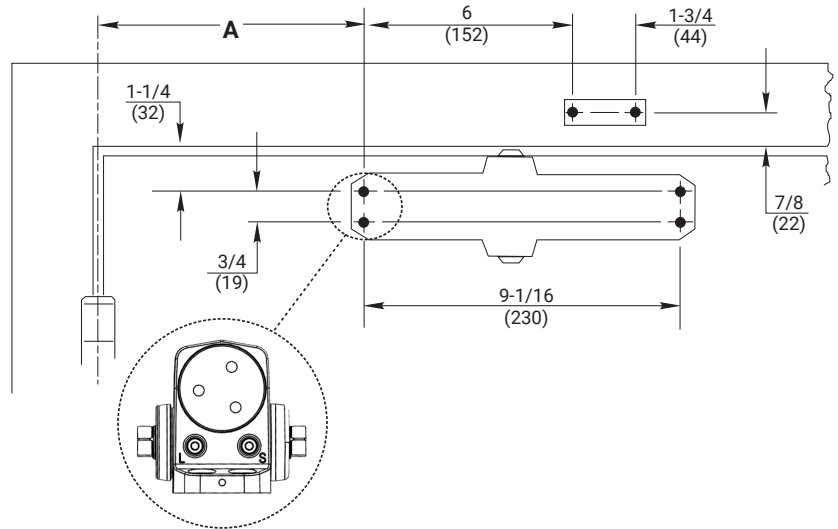
**ACCENTRA**  
**ASSA ABLOY**

### Regular Arm Installation (Right Hand Shown)

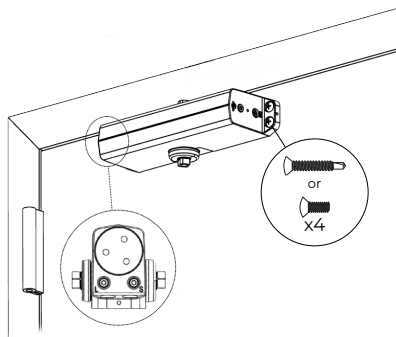
#### A. Prepare door and frame.

Opening	Dimension "A"
to 100°	7 (178)
101° to 120°	6 (152)
*121° to 180°	3-1/2 (89)

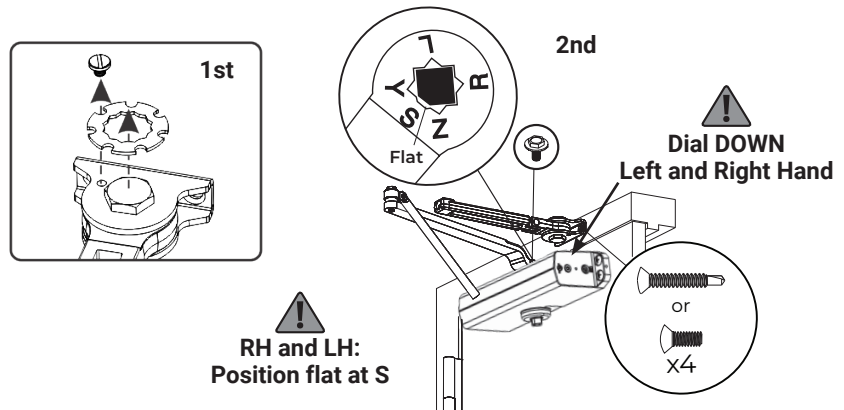
\*Door/Wall/Hardware/Jamb conditions permitting



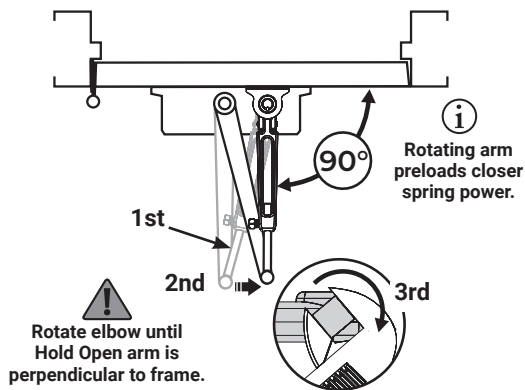
#### B. Mount closer to door.



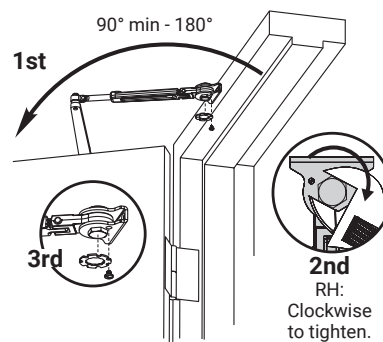
#### C. Remove dial from Hold Open arm and install separate arms.



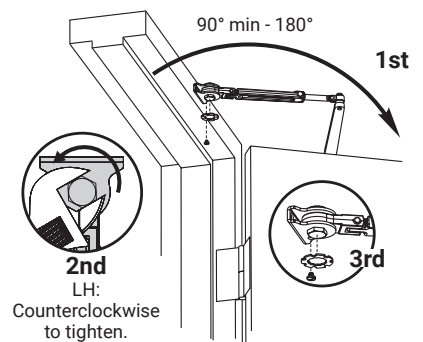
#### D. Connect arms, preload spring, and tighten set screw.



#### E. Set Hold Open.



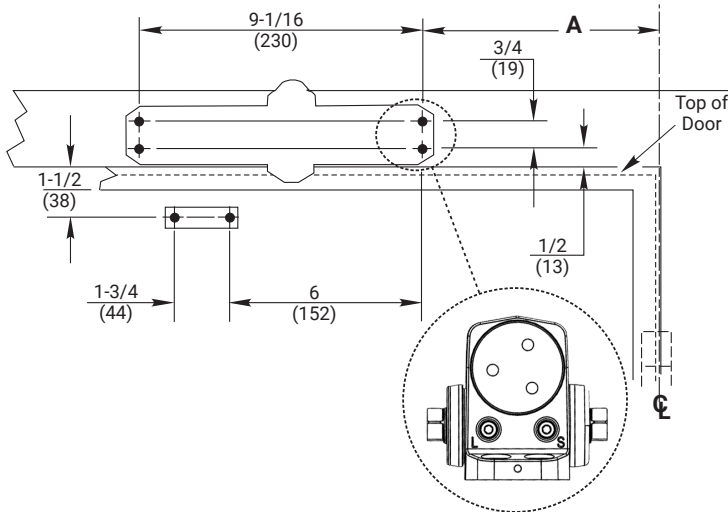
**Keep door open in position until dial screw secures dial.**



● Go to page 2 for closer adjustments and decorative cap or cover installation.

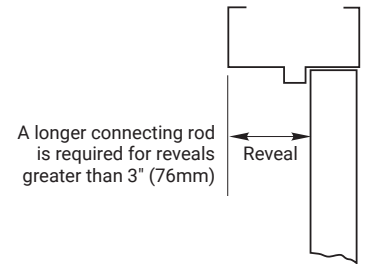
**Top Jamb Arm Installation (Right Hand Shown)**

**A. Prepare door and frame.**

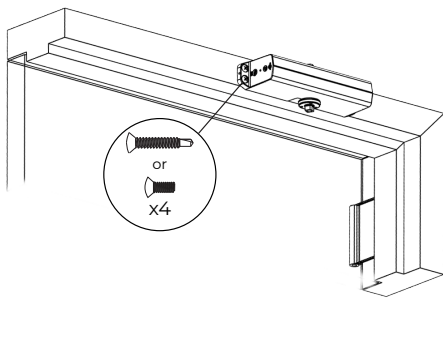


Opening	Dimension "A"
to 100°	7-1/2 (191)
101° to 120°	6 (152)
*121° to 180°	3-1/2 (89)

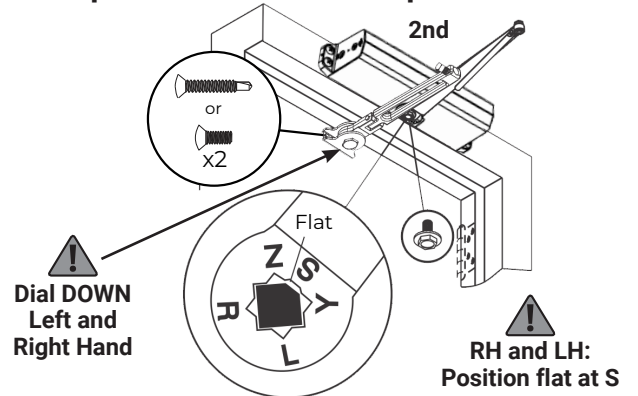
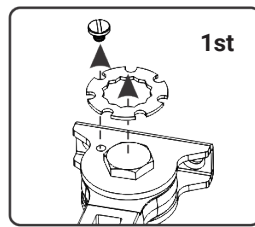
\*Door/Wall/Hardware/Jamb conditions permitting



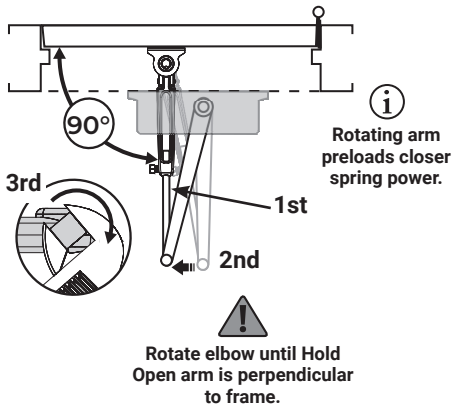
**B. Mount closer to frame.**



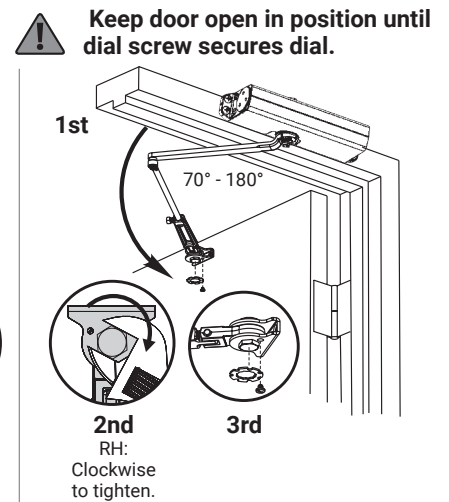
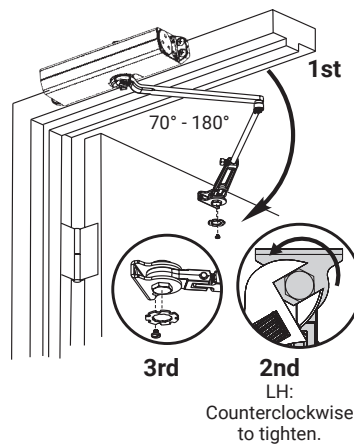
**C. Remove dial from Hold Open arm and install separate arms.**



**D. Connect arms, preload spring, and tighten set screw.**



**E. Set Hold Open.**



● Go to page 2 for closer adjustments and decorative cap or cover installation.

# Model 151

## Regular, Top Jamb, and Parallel Arms, Hold Open

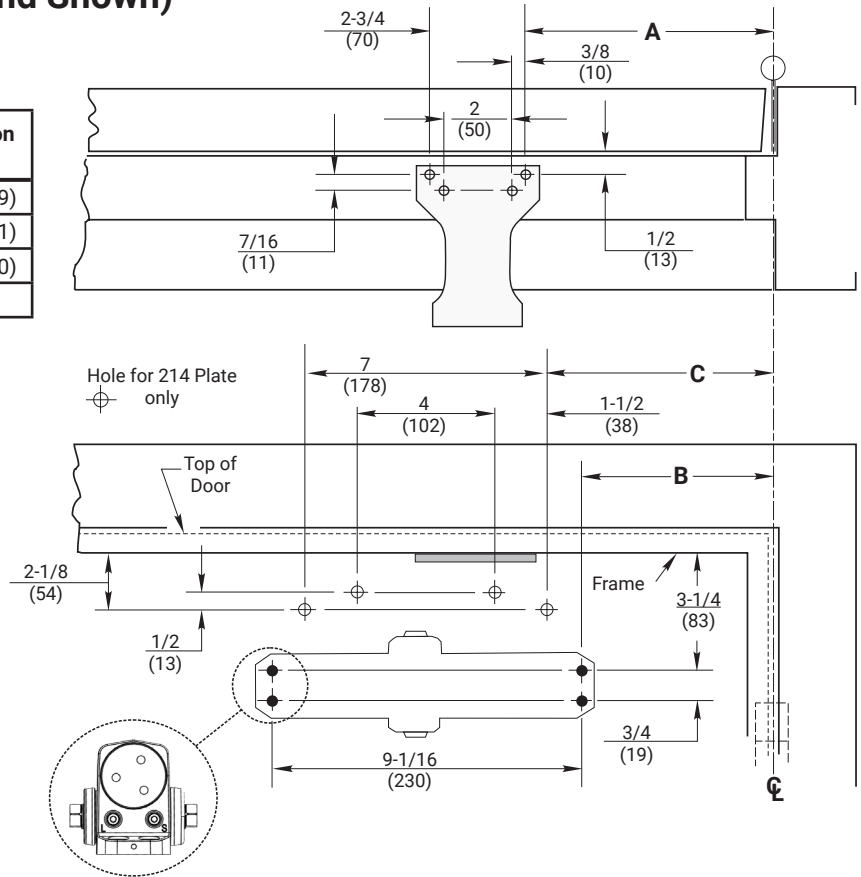
**ACCENTRA**  
**ASSA ABLOY**

### Parallel Arm Installation (Right Hand Shown)

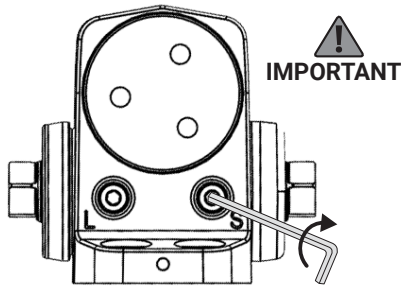
#### A. Prepare door and frame.

Door Opening	Dimension "A"	Dimension "B"	Dimension "C"
to 100°	9-1/4 (235)	7-5/8 (194)	8-5/8 (219)
101° to 130°	7-3/4 (197)	6-1/8 (156)	7-1/8 (181)
*131° to 180°	5-3/4 (146)	4-1/8 (105)	5-1/8 (130)

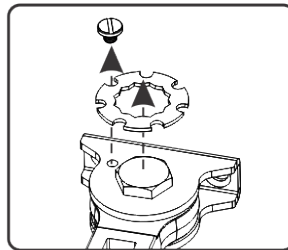
\*Door/Wall/Hardware/Jamb conditions permitting



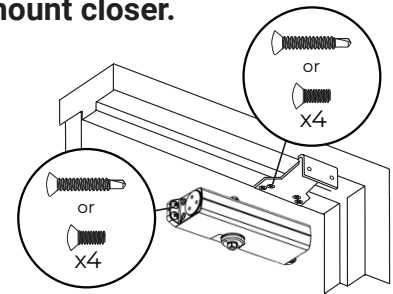
#### B. Close latch and sweep valves.



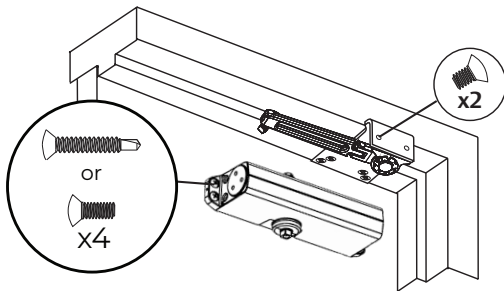
#### C. Remove dial from Hold Open arm.



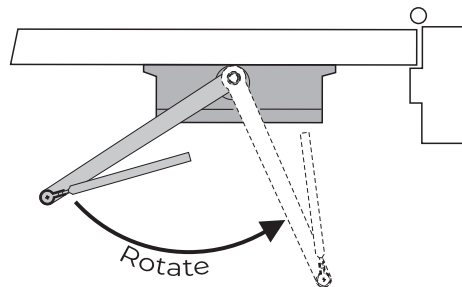
#### D. Install soffit plate and mount closer.



#### E. Install Hold Open arm to plate.

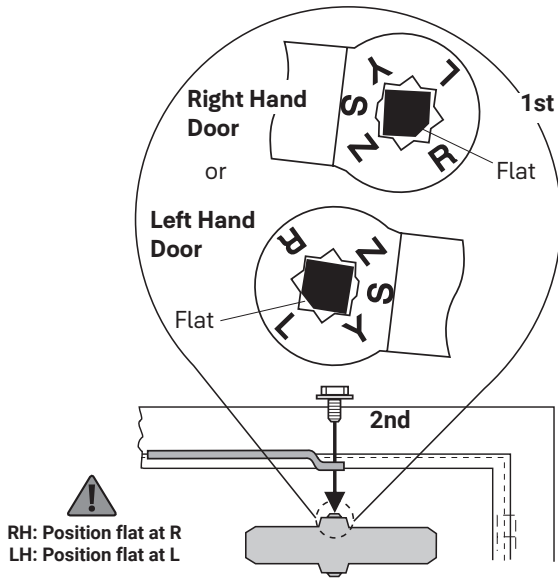


#### F. Place main arm on closer spindle and rotate.

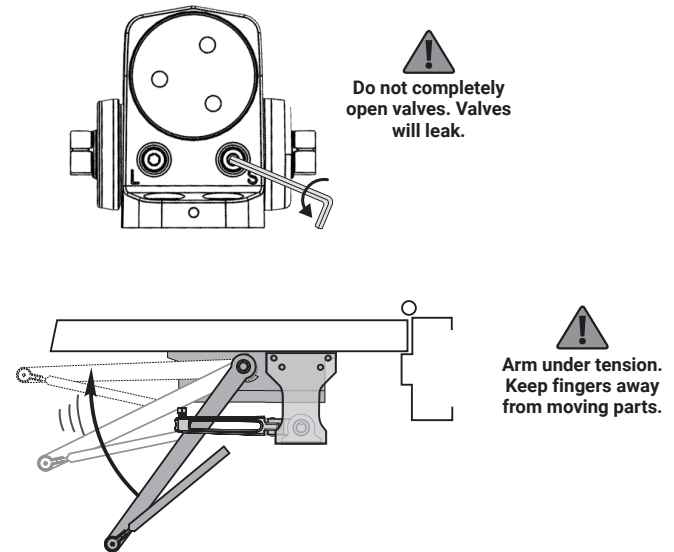


### Parallel Arm Installation (Right Hand Shown) cont.

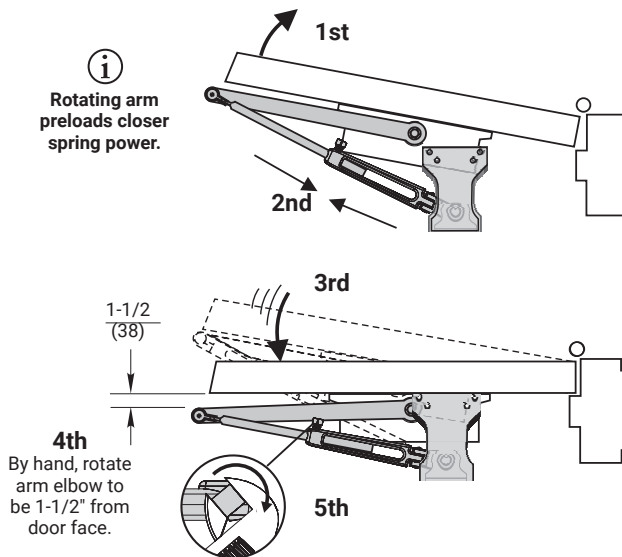
**G. Remove arm and attach as shown.**



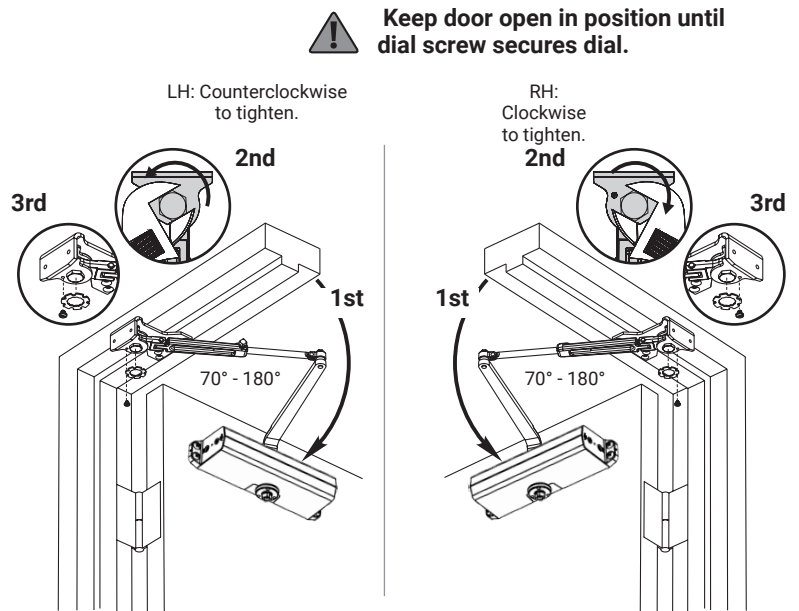
**H. Open latch and sweep valves.**



**I. Connect arms, preload spring, and tighten set screw.**



**J. Set Hold Open.**



● Go to page 2 for closer adjustments and decorative cap or cover installation.