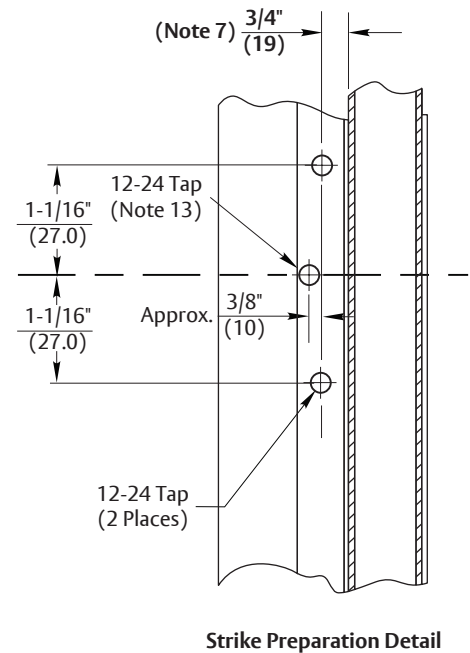
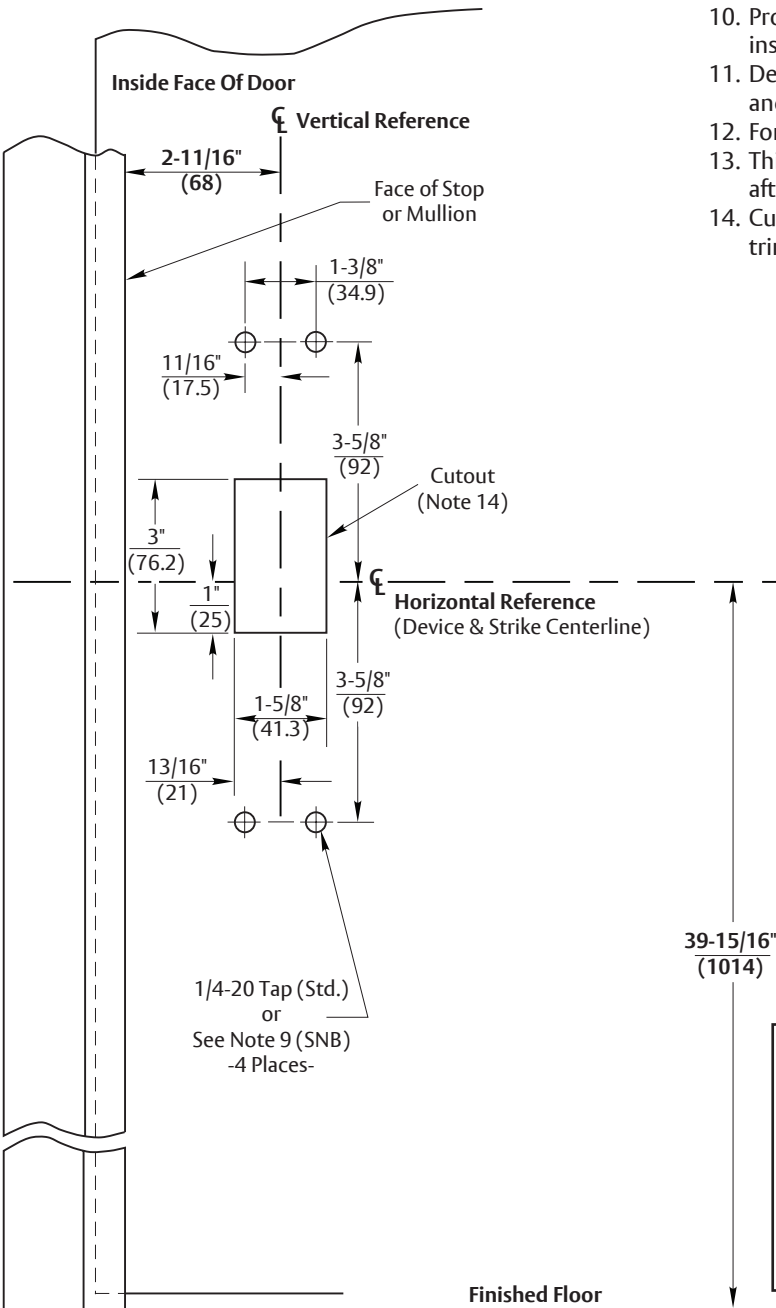


NOTES:

1. Do not scale drawing.
2. Dimensions are in inches (mm).
3. LHR door shown. Preparation is typical for both door hands.
4. Minimum door stile width: 4-1/2" (114).
5. Prepare mounting holes when installing the device.
6. Unreinforced frames require blind rivet nuts (by others) to mount the strike.
7. Dimension from door face.
8. For door reinforcements see template 7400-0000. Unreinforced doors require SNB option to mount the hardware.
9. Holes for optional SNB: 9/32" (7.00) dia. inside door face; 3/8" (9.50) dia. outside door face.
10. Provide door stiffeners as needed to prevent door collapse due to installation with power tools, door use, or abuse.
11. Device mount to hinge stile (not shown) requires hole location and preparation during device installation.
12. For outside trim preparation see appropriate trim template.
13. This hole MUST be field located using physical part as template, after installation is complete and device is fully operational.
14. Cutout, thru inside door face, only required when active outside trim is used.



MULLION NOTE:
 FOR MULLION MODEL NUMBERS M100(F) AND KRM100(F) REFER TO TEMPLATE NUMBER 7400-0100.
 FOR MULLION MODEL NUMBERS M200(F) AND KRM200(F) REFER TO TEMPLATE NUMBER 7400-0200.
 FOR MULLION MODEL NUMBERS M200FWS AND KRM200FWS REFER TO TEMPLATE NUMBER 7400-0210.

RESPONSIBILITY
 DOOR AND FRAME MANUFACTURERS ARE RESPONSIBLE FOR PROVIDING ADEQUATE CONSTRUCTION OR REINFORCEMENTS FOR PROPER INSTALLATION OF HARDWARE SHOWN. ALL ARCHITECTURAL BUILDERS HARDWARE MUST BE INSTALLED ON PROPERLY REINFORCED DOORS AND FRAMES, REGARDLESS OF TYPE, MATERIAL, OR METHOD OF CONSTRUCTION.

1500 Rim Panic Devices with 799 Strike
 Application For Metal Door and Frame or Mullion (Not for Fire Labeled Devices)
 Contact us for support at 1-800-438-1951.

ASSA ABLOY

SUPERSEDES 7415-0000 (02-08)	DO NOT SCALE DRAWING	
TEMPLATE NUMBER	7415-0000	DATE 01-24