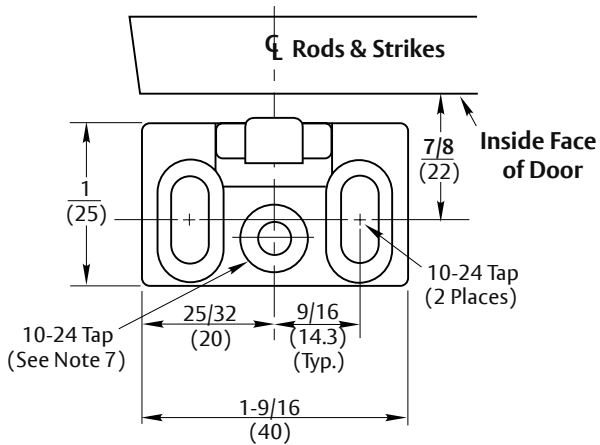
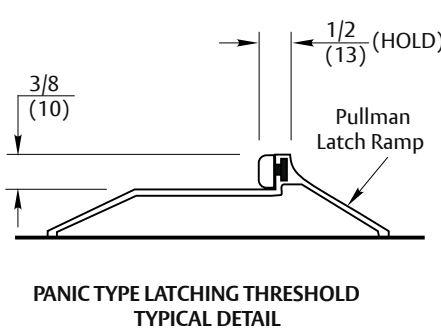
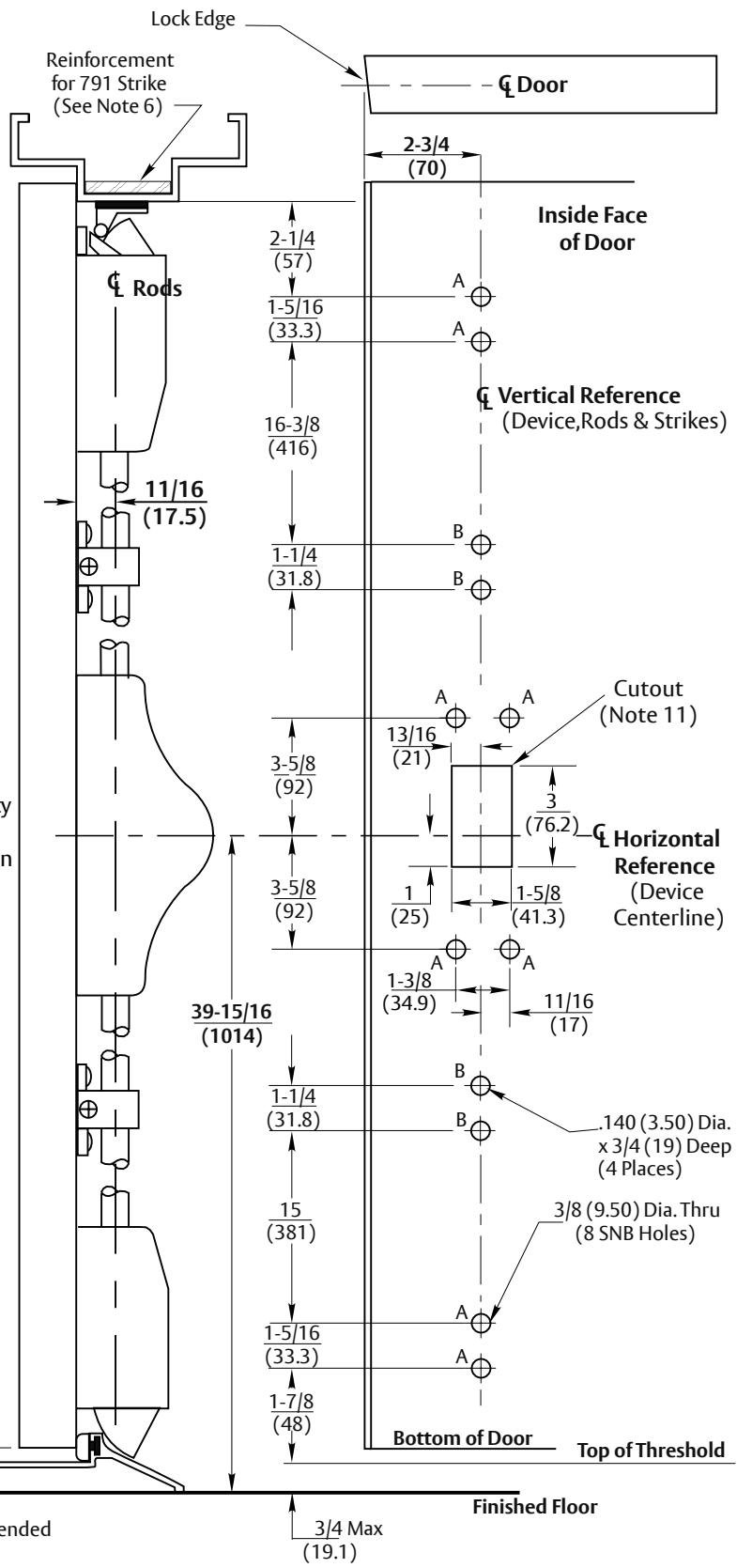


791 STRIKE DETAIL



NOTES:

1. Do not scale drawing.
2. Dimensions are in inches (mm).
3. LHR door shown. Preparation is typical for both door hands.
4. Minimum door stile width: 4-1/2 (114).
5. Prepare mounting holes when installing the device.
6. Unreinforced frames require blind rivet nuts (by others) to mount the strike.
7. This hole MUST be field located using physical part as template, after installation is complete and device is fully operational.
8. Provide adequate structural support to maintain door integrity after device installation with power tools, door use, or abuse.
9. Device mount to hinge stile (not shown) requires hole location and preparation during device installation. Door structural requirements to support the device cases are similar for both door stiles.
10. For outside trim preparation see appropriate trim template.
11. Cutout, 1/2 (13) deep, only required when outside trim is used.
12. Wood screws #14x1-1/2", (by others) permitted in solid core wood doors if pilot holes are used for installation, when door label allows its use.



ASSA ABLOY

1510 Surface Vertical Rod Panic Devices with Bottom Pullman Latch Option and SNB
 Application for Wood or Composite Door and H.M. Frame with Latching Threshold

Contact us for support at 1-855-557-5078.

SUPERSEDES	8/99	DO NOT SCALE DRAWING
TEMPLATE NUMBER	7415-1016	DATE 12-23

Experience a safer and more open world