

# 1500(F)

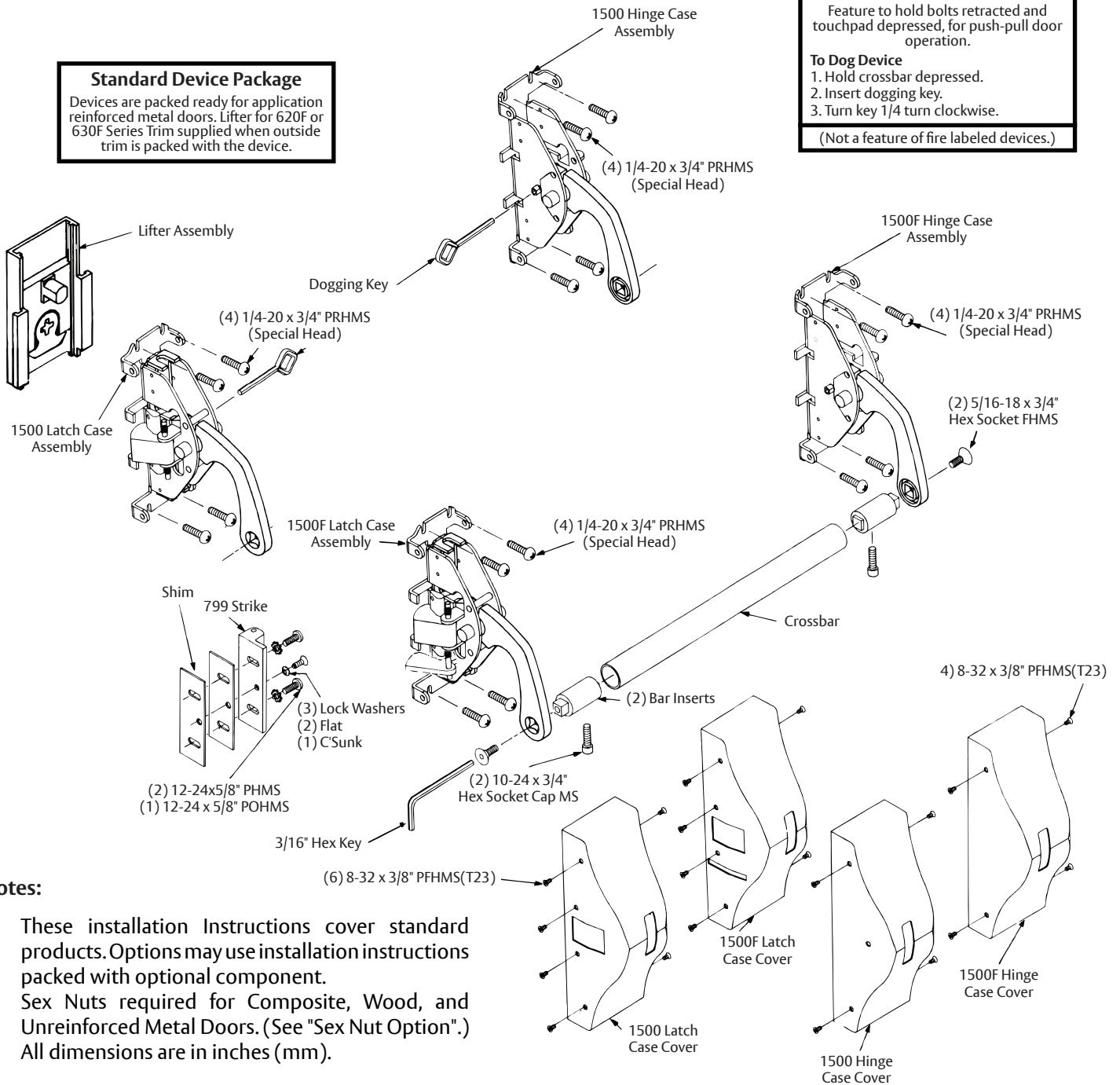
## Rim Exit Devices

### Installation Instructions

# ASSA ABLOY

**Standard Device Package**  
Devices are packed ready for application reinforced metal doors. Lifter for 620F or 630F Series Trim supplied when outside trim is packed with the device.

**Dogging**  
Feature to hold bolts retracted and touchpad depressed, for push-pull door operation.  
**To Dog Device**  
1. Hold crossbar depressed.  
2. Insert dogging key.  
3. Turn key 1/4 turn clockwise.  
(Not a feature of fire labeled devices.)



**Notes:**

1. These installation Instructions cover standard products. Options may use installation instructions packed with optional component.
2. Sex Nuts required for Composite, Wood, and Unreinforced Metal Doors. (See "Sex Nut Option".)
3. All dimensions are in inches (mm).

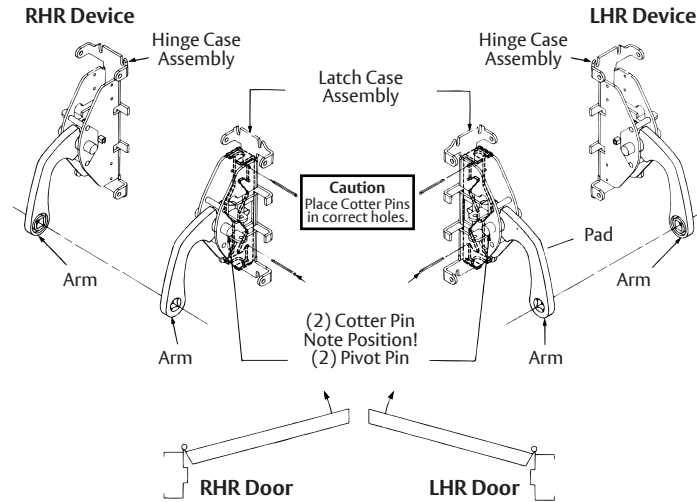
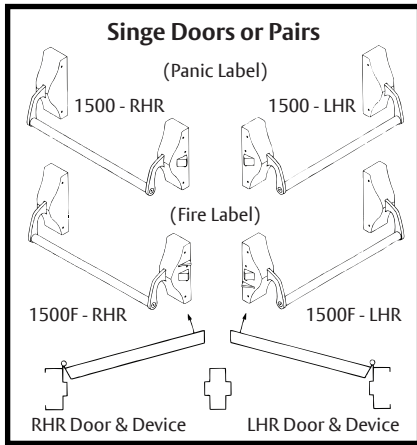
**WARNING**

This product can expose you to lead which is known to the state of California to cause cancer and birth defects or other reproductive harm. For more information go to [www.P65warnings.ca.gov](http://www.P65warnings.ca.gov).

**WARNING**

Attention Installer: Any retrofit or other field modification to a fire rated opening can potentially impact the fire rating of the opening, and ASSA ABLOY makes no representations or warranties concerning what such impact may be in any specific situation. When retrofitting any portion of an existing fire-rated opening, or specifying and installing a new fire-rated opening, please consult with a code specialist or local code official (Authority Having Jurisdiction) to ensure compliance with all applicable codes and ratings.

## To Change Hands



**Notes:** Complete device required to change hands, arms are swapped between latch and hinge cases, only essential components shown or highlighted, for clarity.

## Maintenance

1. Periodically remove covers and coat mechanisms with a silicone base lubricant. This is particularly required in corrosive environments for proper product function.
2. Check mounting fasteners periodically. Retighten if found loose. Apply screw locking compound (available at automotive part stores) or change part fasteners if screws continue to back out.
3. Periodic checks (and adjustments) of strikes are required to compensate for changes in the opening (e.g. door sagging).

ABBREVIATION	FASTENER DESCRIPTION
PPH"AB"SMS	PHILLIPS PAN HEAD TYPE "AB" SHEET METAL SCREW
PFHUMS	PHILLIPS FLAT HEAD UNDER CUT MACHINE SCREW
PFHMS	PHILLIPS FLAT HEAD MACHINE SCREW
PRH"AB"SMS	PHILLIPS ROUND HEAD TYPE "AB" SHEET METAL SCREW
PTH"AB"SMS	PHILLIPS TRUSS HEAD TYPE "AB" SHEET METAL SCREW
PPHMS	PHILLIPS PAN HEAD MACHINE SCREW
PFH"AB"SMS	PHILLIPS FLAT HEAD TYPE "AB" SHEET METAL SCREW

## Check Before Starting

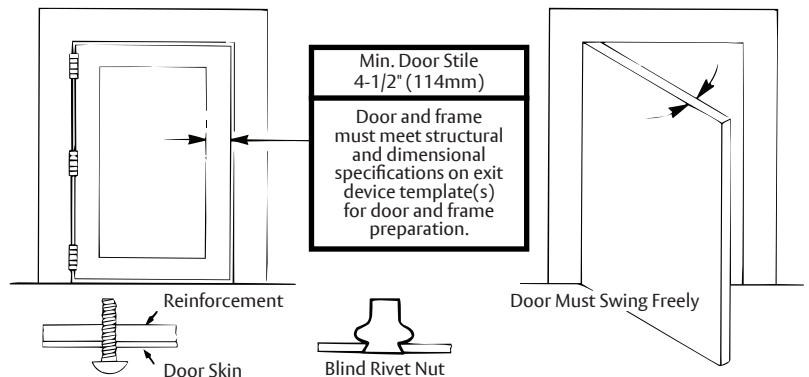
### Unreinforced Doors or Frames

Doors and Frames with walls having a structural thickness (metal skin plus reinforcement or solid hardwood) to engage less than (3) full screw threads are considered unreinforced.

Unreinforced Doors: Use SNB (sex nuts and bolts).

Unreinforced Frames: Use Blind Rivet Nuts.

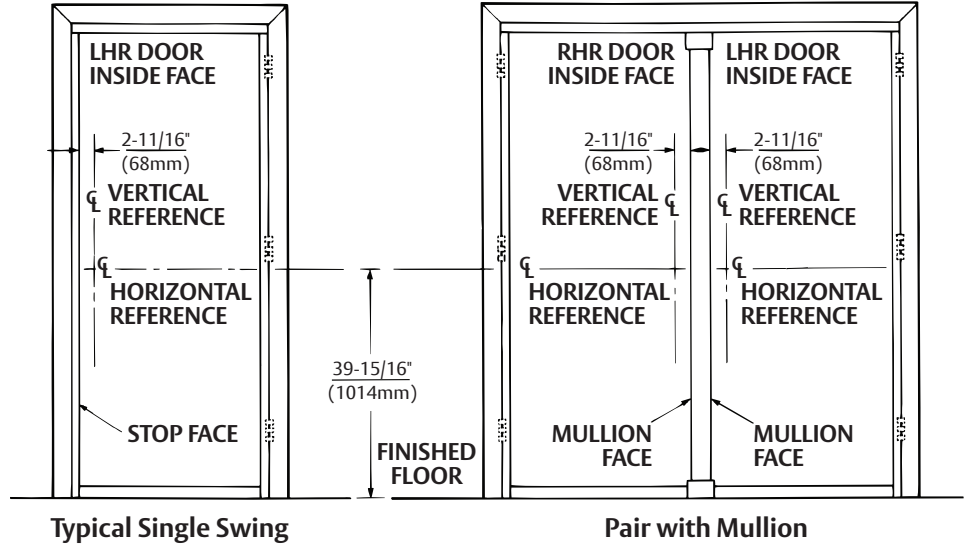
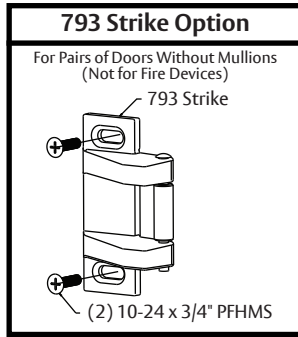
Recommended fasteners for unreinforced openings are not necessarily supplied by ASSA ABLOY.



### 1. Mark Door

For Pair without Mullion follow instructions packed with 793 Strike.

Locate and Mark Horizontal and Vertical Reference Centerlines as shown.



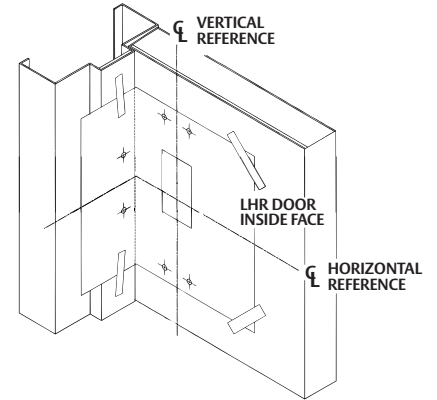
### 2. Prepare Door and Frame

- A. Seat template on door and stop faces.
- B. Align horizontal and vertical centerlines.
- C. Locate and tape Trim Template to door. (See instructions packed with Trim)
- D. Spot and prepare holes:

**Device:** Trim cutout (not for exit only), plus  
 (2) 1/4-20 Machine Screws (\*), or  
 (2) 3/8 Dia. Optional Sex Nuts & Bolts  
 10

**Strike:** (2) 12-24 Machine Screws, or  
 (2) #12 Wood Screws

(\* ) Metal reinforced doors only



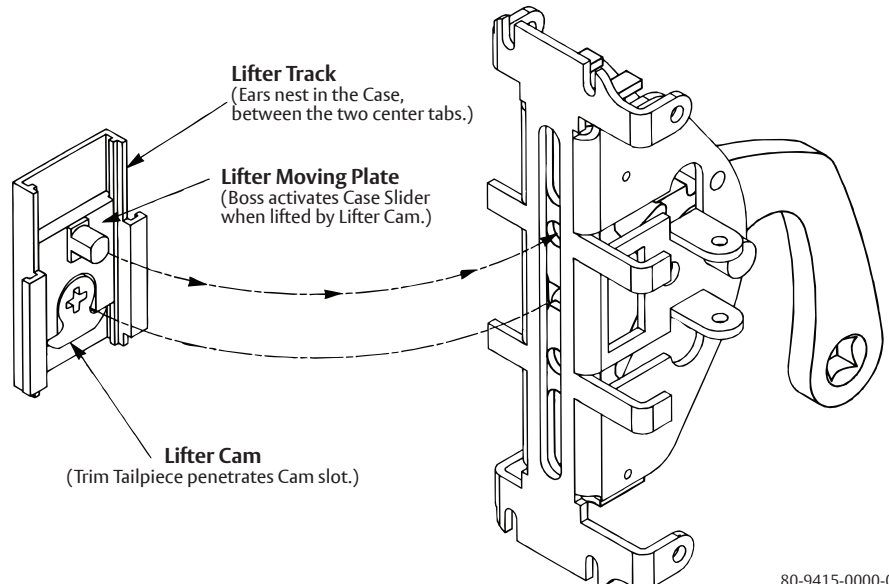
### 3. Prepare Device For Trim

**If outside trim is not used, go to step 4.**  
 Drawing shows only essential parts, for clarity.

The Lifter Assembly is nested in the Device Case.

The boss of the lifter moving plate penetrates the round hole above the case slider center.

The Device Case seats over the door face, with the Lifter Assembly projecting thru the door cutout surface and into the door cavity.

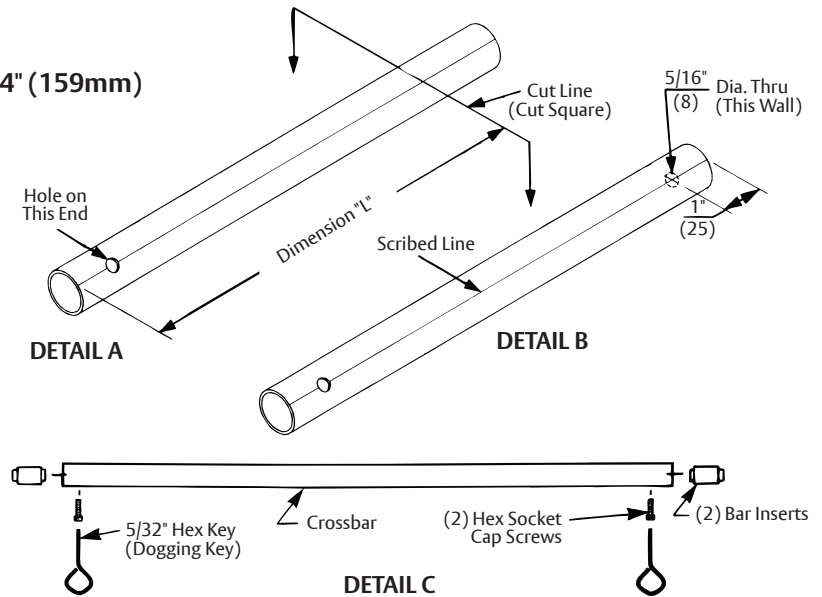


80-9415-0000-000 01/24

## 4. Prepare Crossbar

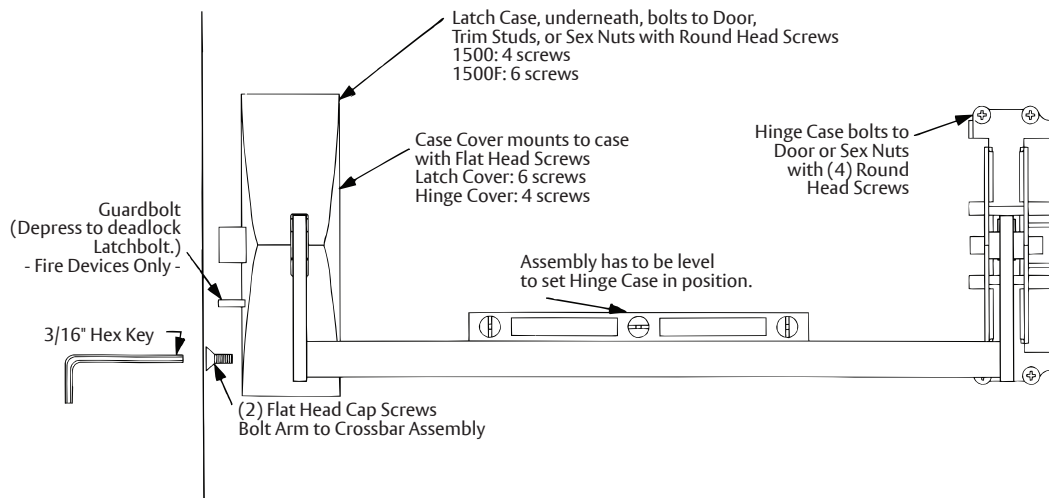
Crossbar length (L) = Door Opening Width - 6-1/4" (159mm)

- A. Cut bar to required length (Detail "A").
- B. Locate and drill hole (Detail "B").
- C. Assemble crossbar (Detail "C").



## 5. Mount Device

- A. Install Trim. Note that the tailpiece of an active trim must penetrate slot in lifter cam. See step 3. (Otherwise, follow instructions packed with trims.)
- B. Mount Latch Case with round head machine screws (4 for panic, 6 for fire device). Latch Case mounts to tapped door, trim studs, or sex nuts.
- C. Install Latch Case Cover with (6) flat head screws.
- D. Install Crossbar inserted into Latch Case and Hinge Case Arm grooves. Use crossbar and level to position Hinge Case, as a template.
- E. Locate and prepare (4) holes for Hinge Case mounting screws, as follows:  
**Metal Reinforced Door:** 1/4-20 machine screws  
**All other doors:** 3/8" (9.5) diameter SNB
- F. Mount Hinge Case with (4) round head machine screws, and Hinge Case Cover with (4) flat head screws.
- G. Reassemble crossbar.
- H. Check device action (Latchbolt should be fully extended. Latchbolt should fully retract when crossbar is depressed, or trim, or dogging activated. When fire device guardbolt is depressed, the latchbolt should dead lock.)



## 6. Install Strike

A. Position Strike Projection (Strike + Shims). See Detail A.

B. Position Strike depth. See Detail B.

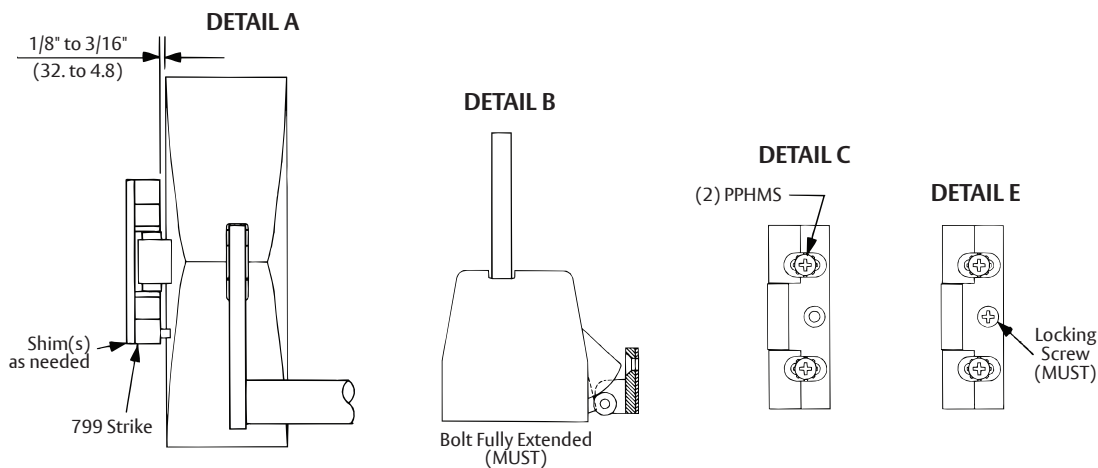
C. Fasten Strike securely, as shown on Detail C. Use lockwashers supplied.

D. Check Bolt engagement.

1. Bolt should retract to clear the strike, when activated by bar, trim, or dogging action. Bolt should consistently reengage the strike, when actuators are released and the door shuts.

2. Door should remain latched and not rattle when pushed, pulled or shaken in/out.

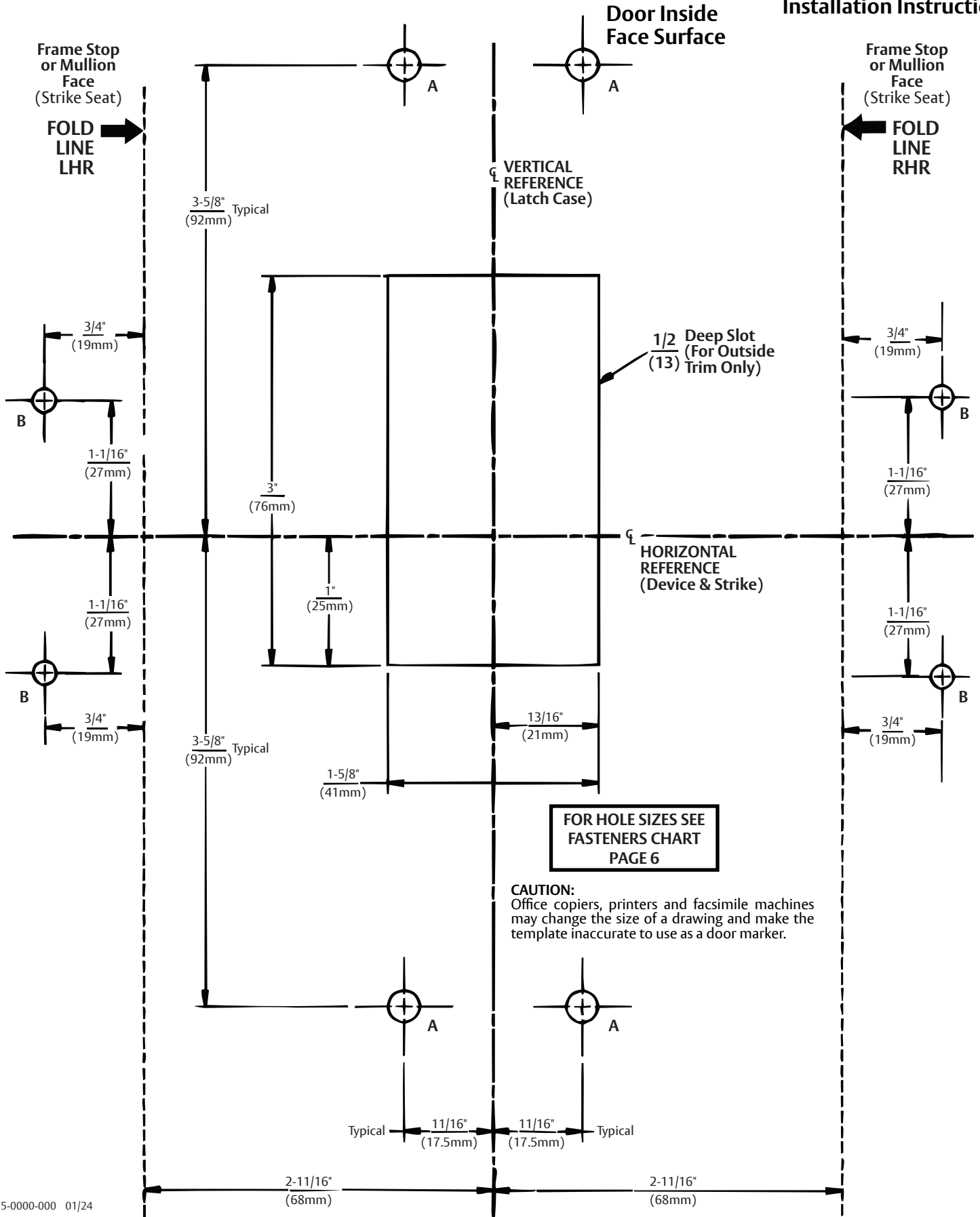
E. Prepare for and install Strike locking screw as shown in Detail E (1# 12-24 POHMS, and countersunk lockwasher).



1. Rectangular slot for Trim Lifter is not required for exit only openings.
2. Mark centerline of rods on door face.
3. Unreinforced frames require that 10-24 blind rivet nuts (by others) be used to bolt strike. Frames are considered not reinforced when strike mounting screws cannot engage (3) full threads.
4. Dimensions are given in inches (mm).
5. **CAUTION:** Office copiers, printers and facsimile machines may change the size of a drawing and make the template inaccurate to use as a door marker.

FASTENERS CHART			
HOLE	DOOR / FRAME	FASTENER	PREPARATION
A	Metal Reinforced	1/4-20 PRHMS	Drill #7 (.201" Dia.) Tap: 1/4 - 20
A	All Others	1/4-20 SNB	3/8" (9.5mm) Dia. Thru Door
B	Metal Reinforced	10-24 PFHMS	Drill #26 (.147" Dia.) Tap: 10 - 24
	Solid Hardwood	#10x1-1/4" PFHWS	Pilot Hole 11/64" (4.4mm) Dia.
B	All Others	See Note 3	As required for blind nut used.

Door Inside  
Face Surface



FOR HOLE SIZES SEE  
FASTENERS CHART  
PAGE 6

**CAUTION:**  
Office copiers, printers and facsimile machines  
may change the size of a drawing and make the  
template inaccurate to use as a door marker.

**1500(F)**  
**Rim Exit Devices**  
**Installation Instructions**

**ASSA ABLOY**

**1-855-557-5078 • [www.assaabloy.com](http://www.assaabloy.com)**

Copyright © 2013, 2024, ASSA ABLOY Access and Egress Hardware Group, Inc. All rights reserved. Reproduction in whole or in part without the express written permission of ASSA ABLOY Access and Egress Hardware Group, Inc. is prohibited.

Experience a safer  
and more open world

