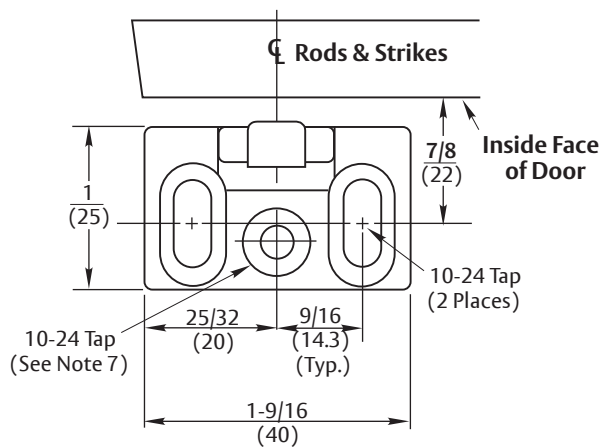
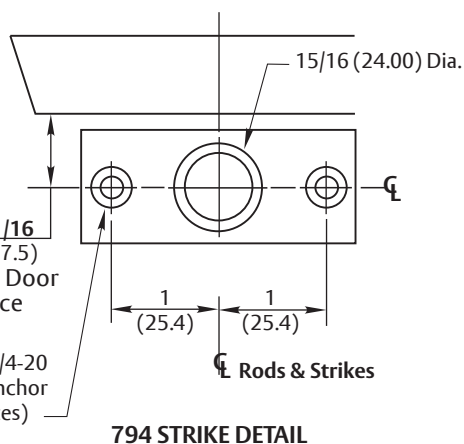
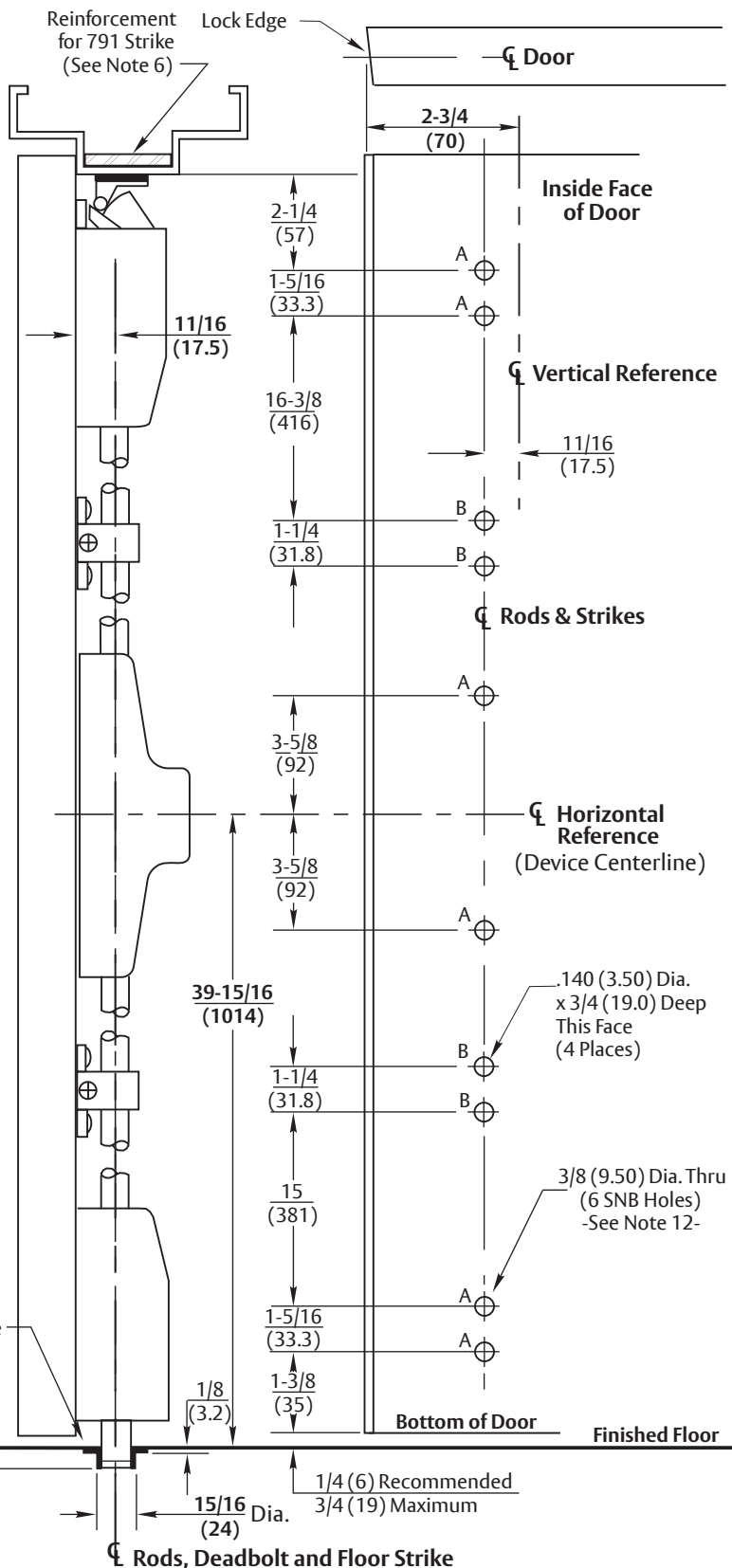


791 STRIKE DETAIL



Notes:

1. Do not scale drawing.
2. Dimensions are in inches (mm).
3. LHR door shown. Preparation is typical for both door hands.
4. Minimum door stile width: 4-1/2 (114).
5. Prepare mounting holes when installing the device.
6. Unreinforced frames require blind rivet nuts (by others) to mount the strike.
7. This hole **MUST** be field located using physical part as template, after installation is complete and device is fully operational.
8. For outside trim preparation see appropriate trim template.
9. Provide adequate structural support to maintain door integrity after device installation with power tools, door use, or abuse.
10. Device mount to hinge stile (not shown) requires hole location and preparation during device installation. Door structural requirements to support the device cases are similar for both door stiles.
11. Bottom bolt should retract to 1/8 (3.2) above floor strike. Floor coverings in the door path must be laid accordingly.
12. Wood screws #14 x 1-1/2" (by others) permitted for solid core wood doors if pilot holes are used for installation, when door label allows its use.



RESPONSIBILITY
 DOOR AND FRAME MANUFACTURERS ARE RESPONSIBLE FOR PROVIDING ADEQUATE CONSTRUCTION OR REINFORCEMENTS FOR PROPER INSTALLATION OF HARDWARE SHOWN. ALL ARCHITECTURAL BUILDERS HARDWARE MUST BE INSTALLED ON PROPERLY REINFORCED DOORS AND FRAMES, REGARDLESS OF TYPE, MATERIAL, OR METHOD OF CONSTRUCTION.

2110(F) & 1810(F)
Surface Vertical Rod Fire/Panic Exit Devices
 with Optional 794 Floor Strike and SNB
 Application for Wood or Composite Door
 and H.M. Frame
Contact us for support at 1-855-557-5078.

ASSA ABLOY

SUPERSEDES	04/10	DO NOT SCALE DRAWING
TEMPLATE NUMBER	7421-1012	DATE 12-23