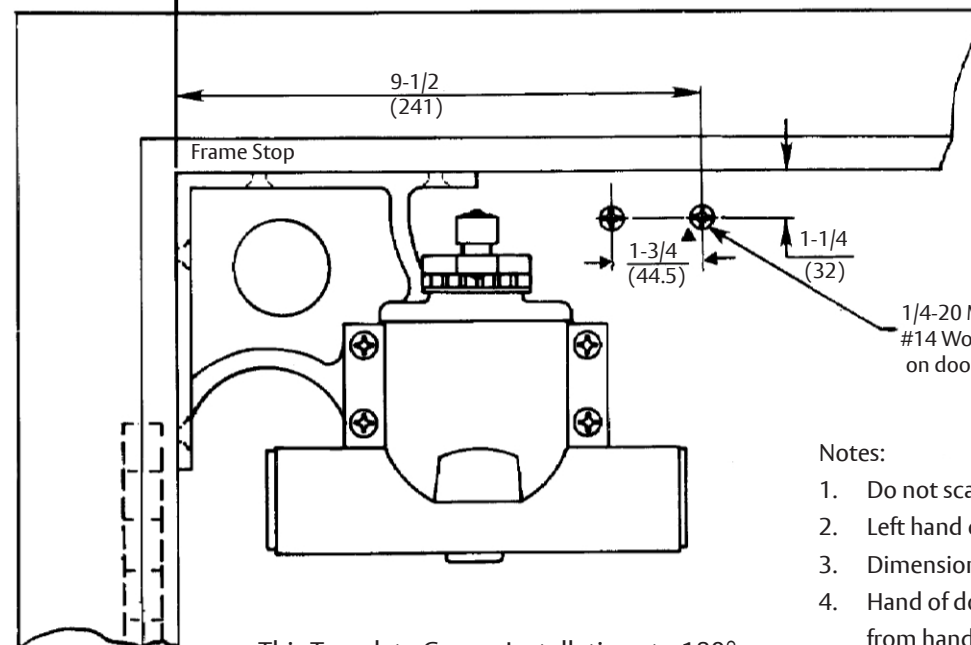
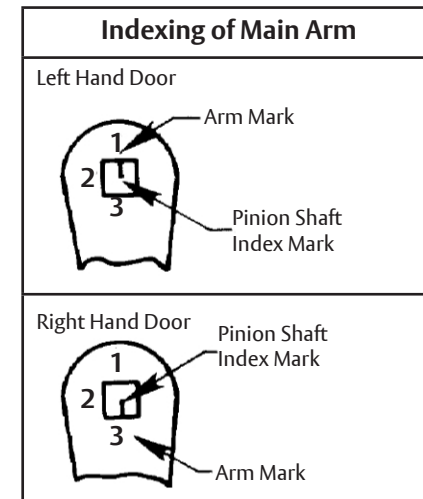
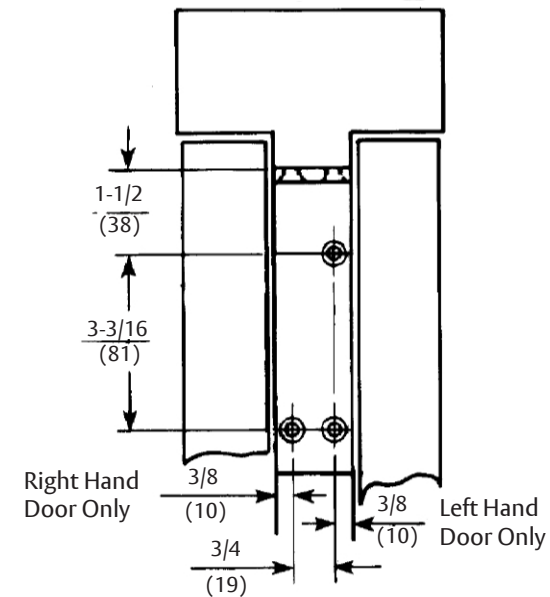


When Using Hold Open Arms
Hold Open-Arm is not handed:
Holder adjusting nut
Up for Left hand
Down for Right hand



Notes:

1. Do not scale drawing.
2. Left hand door shown.
3. Dimensions are in inches (mm).
4. Hand of door closer must be opposite from hand of door.
5. Hold Open Arm closers are not permitted to be used on fire doors.



This Template Covers Installations to 180°

Experience a safer
and more open world

Copyright © 2023, ASSA ABLOY Access and Egress Hardware Group, Inc. All rights reserved. Reproduction in whole or in part without the express written permission of ASSA ABLOY Access and Egress Hardware Group, Inc. is prohibited.

1900 Series Door Closers
with 1950 Corner Bracket
Standard Drop Corner Bracket Installation
Non-Hold Open Sizes 1902/4 or 1905/6;
Hold Open Sizes 1912/4 or 1915/6

Template Number:
7319-0143
Sheet: 1 of 1
Date: 12/23

ASSA ABLOY

1-855-557-5078
www.assaabloy.com