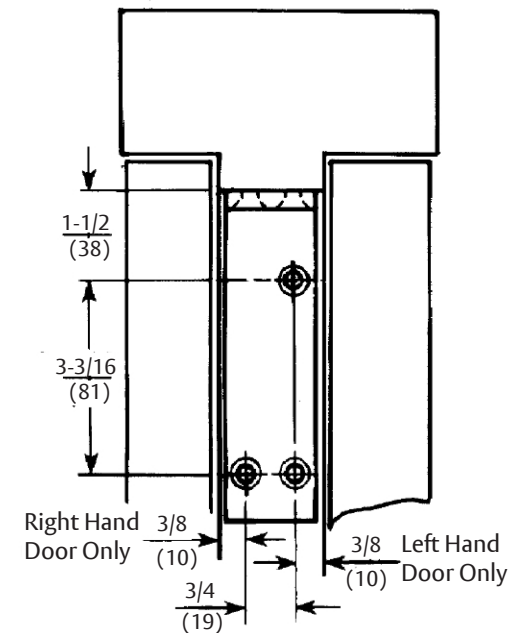


When Using Hold Open Arms
 Hold Open-Arm is not handed:
 Holder adjusting nut
 Up for Left hand
 Down for Right hand

Notes:

1. Do not scale drawing.
2. Left hand door shown.
3. Dimensions are in inches (mm).
4. Hand of door closer must be opposite from hand of door.
5. Hold Open Arm closers are not permitted to be used on fire doors.



Experience a safer
and more open world

Copyright © 2023, ASSA ABLOY Access and Egress Hardware Group, Inc. All rights reserved. Reproduction in whole or in part without the express written permission of ASSA ABLOY Access and Egress Hardware Group, Inc. is prohibited.

1900 Series Door Closers
with 2950 Corner Bracket
Extra Drop Corner Bracket Installation
Closer Sizes 1912/4 or 1915/6

Template Number:
7319-0144
Sheet: 1 of 1
Date: 12/23

ASSA ABLOY

1-855-557-5078
www.assaabloy.com