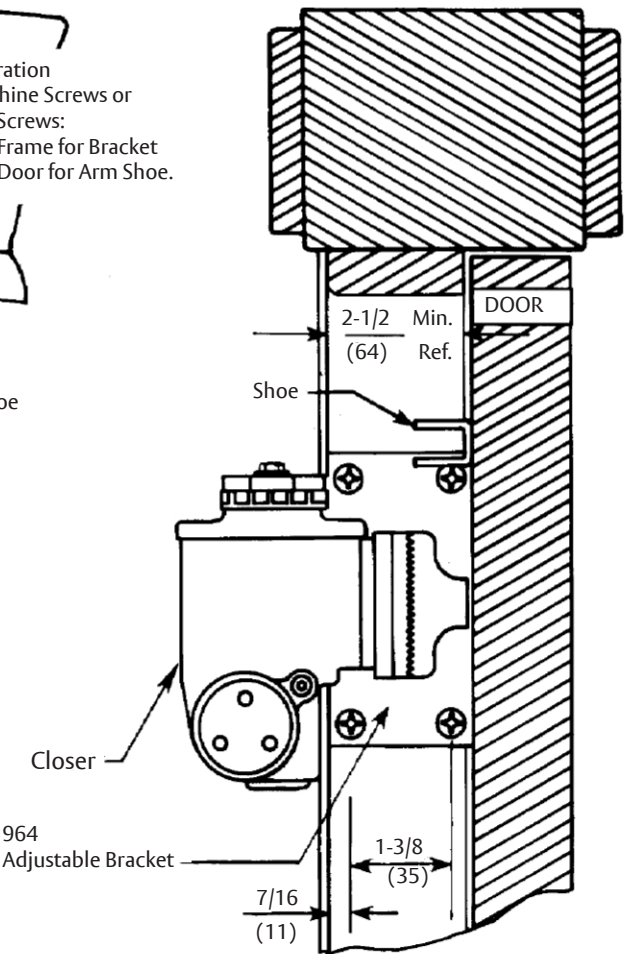
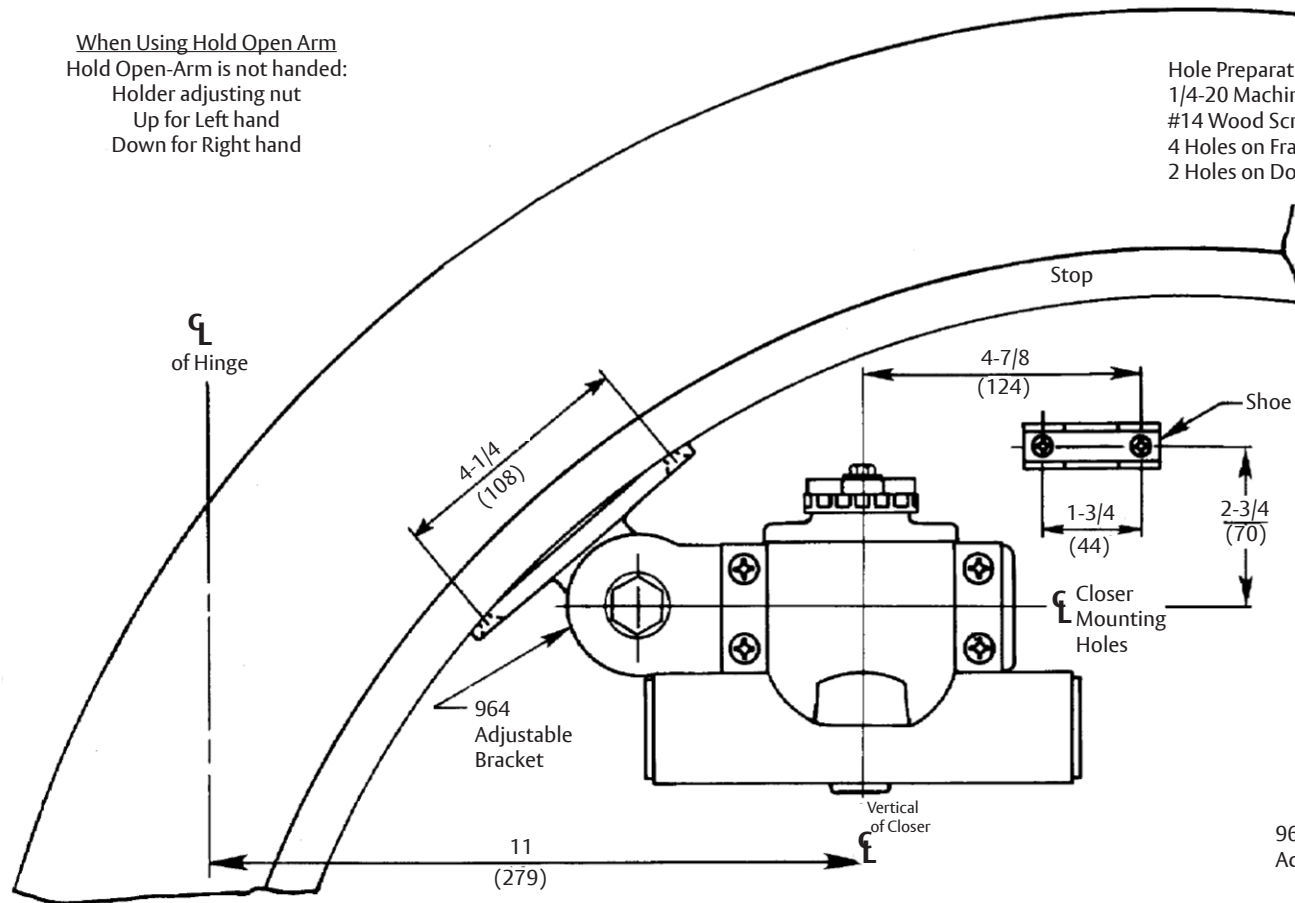
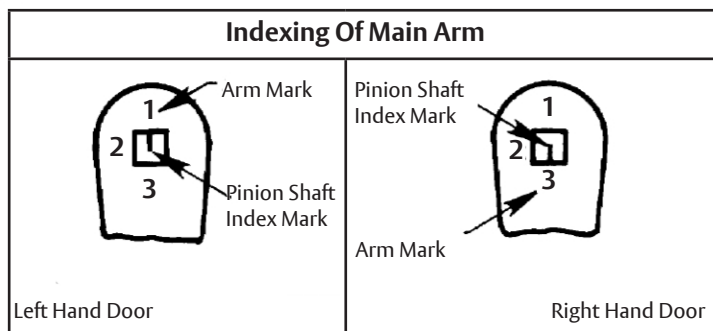


When Using Hold Open Arm
 Hold Open-Arm is not handed:
 Holder adjusting nut
 Up for Left hand
 Down for Right hand

Hole Preparation
 1/4-20 Machine Screws or
 #14 Wood Screws:
 4 Holes on Frame for Bracket
 2 Holes on Door for Arm Shoe.



To Open 90° Only Push
 (Opposite to hinge) Side
 of Door Installation



- Notes:
1. Do not scale drawing.
 2. Left hand door shown.
 3. Dimensions are in inches (mm).
 4. Hand of door closer must be opposite from hand of door.
 5. Hold Open Arm closers are not permitted to be used on fire doors.

Experience a safer
 and more open world

Copyright © 2023, ASSA ABLOY Access and Egress Hardware Group, Inc. All rights reserved. Reproduction in whole or in part without the express written permission of ASSA ABLOY Access and Egress Hardware Group, Inc. is prohibited.

1900 Series Door Closers
 with 964 Adjustable Bracket
 Opposite to Hinge Side, Arched Door Installation
 Non-Hold Open Sizes 1902/4 or 1905/6;
 Hold Open Sizes 1912/4 or 1915/6

Template Number:
 7319-0148
 Sheet: 1 of 1
 Date: 12/23

ASSA ABLOY

1-855-557-5078
 www.assaabloy.com