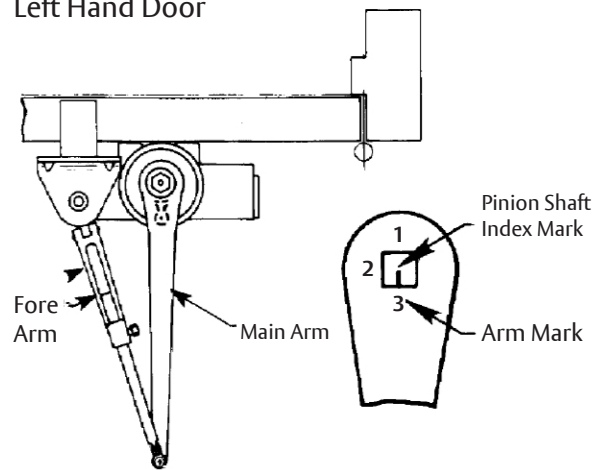


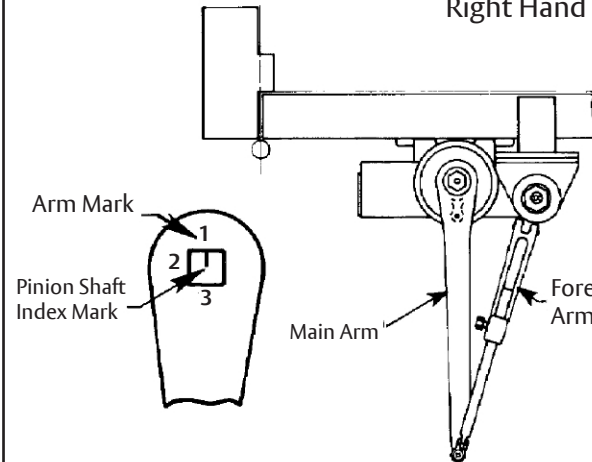
Bracket	Dim. "A"		Dim. "B"	
	Max.	Min.	Max.	Min.
292	2-3/4(57)	1-1/2(38)	2(51)	1-1/2(38)
292A	3(76)	1-1/2(38)	2-3/4(70)	1-1/2(38)

Indexing of Main Arm

Left Hand Door



Right Hand Door



This template covers all holders arm installations from 90° to 135°

Measurements are given in inches/mm

Do Not Scale Drawing Right Hand Door Shown

Experience a safer
and more open world

Copyright © 2023, ASSA ABLOY Access and Egress Hardware Group, Inc. All rights reserved. Reproduction in whole or in part without the express written permission of ASSA ABLOY Access and Egress Hardware Group, Inc. is prohibited.

1910 Series Door Closers
with 292 or 292A Bull Nose Bracket
Hold Open Regular Arm Installation
Closer Sizes 1912/4 or 1915/6

Template Number:
7319-0104
Sheet: 1 of 1
Date: 12/23

ASSA ABLOY

1-855-557-5078
www.assaabloy.com