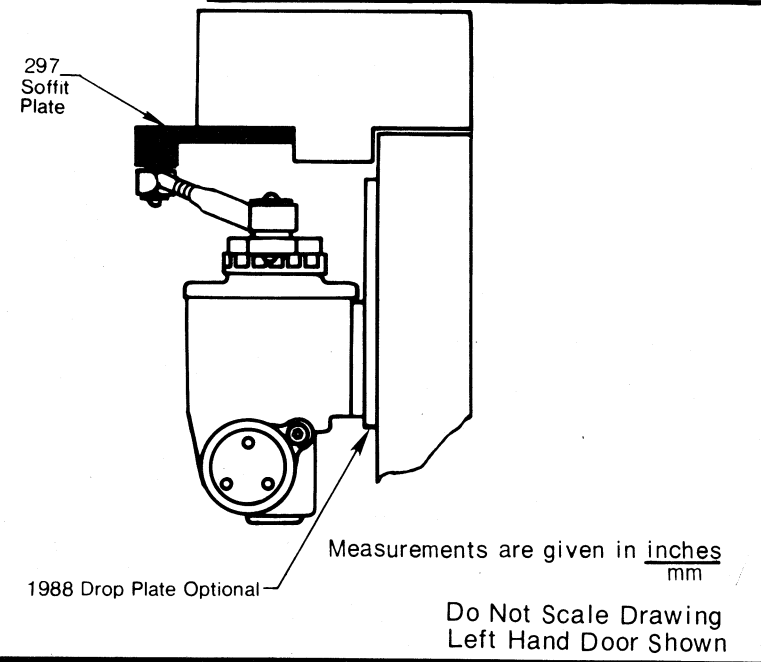
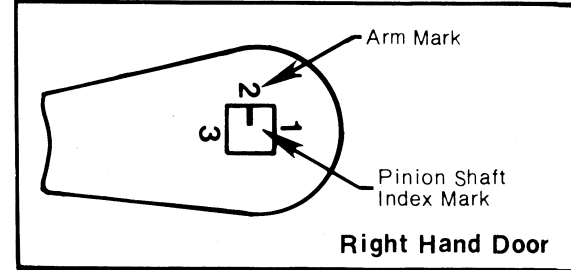
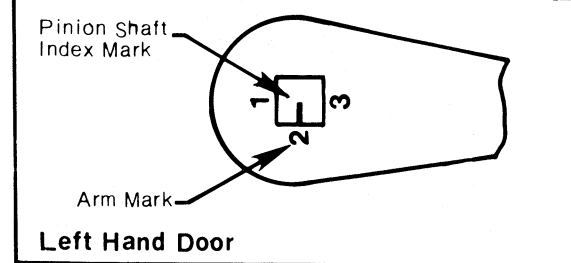


Indexing of Main Arm



**PA1900 Series Door Closers with 297 Soffit Bracket
 Parallel Arm Non Hold Open Installation
 With or without No. 1988 Drop Plate
 Closer Sizes PA1902/4 or PA1905/6**

Yale
 Yale Commercial Locks and Hardware
 www.yalecommercial.com

TEMPLATE NUMBER 80-7319-0203-010	DATE 6-97
--	---------------------