

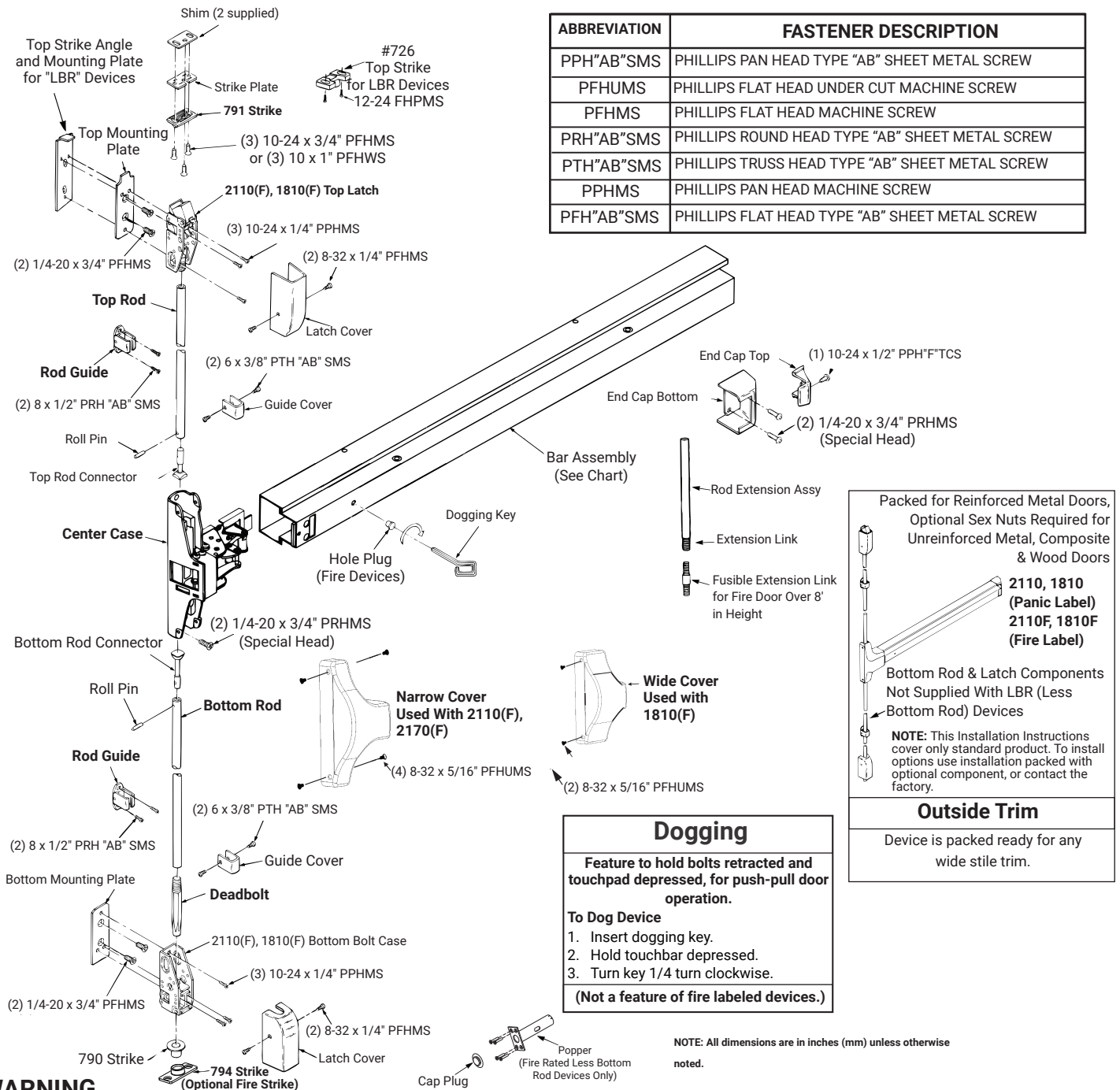
2110(F), 2170(F)(LBR), 1810(F)

Surface Vertical Rod Exit Devices

Installation Instructions

ACCENTRA

ASSA ABLOY



WARNING

This product can expose you to lead which is known to the state of California to cause cancer and birth defects or other reproductive harm. For more information go to www.P65warnings.ca.gov.

WARNING

Attention Installer: Any retrofit or other field modification to a fire rated opening can potentially impact the fire rating of the opening, and ASSA ABLOY makes no representations or warranties concerning what such impact may be in any specific situation. When retrofitting any portion of an existing fire-rated opening, or specifying and installing a new fire-rated opening, please consult with a code specialist or local code official (Authority Having Jurisdiction) to ensure compliance with all applicable codes and ratings.

1-855-557-5078 Ext. 2 • www.accentra-assaabloy.com

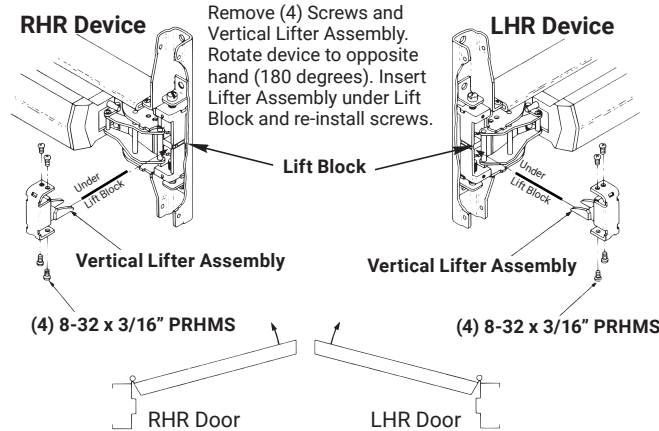
Copyright © 1999, 2012, 2023, 2024, ASSA ABLOY ACCENTRA™ Access and Egress Hardware Group, Inc. All rights reserved. Reproduction in whole or in part without the express written permission of ASSA ABLOY Access and Egress Hardware Group, Inc. is prohibited.

80-9421-0010-000 04/24

Experience a safer
and more open world

1. Installation

A. Change Hands



B. Maintenance

1. Periodically remove covers and coat mechanisms with a silicone base lubricant. This is particularly required in corrosive environments for proper product function.
2. Check mounting fasteners periodically. Retighten if found loose. Apply screw locking compound (available at automotive part stores) or change part fasteners if screws continue to back out.
3. Periodic checks (and adjustments) of strikes are required to compensate for changes in the opening (e.g. door sagging).

C. Check Before Starting

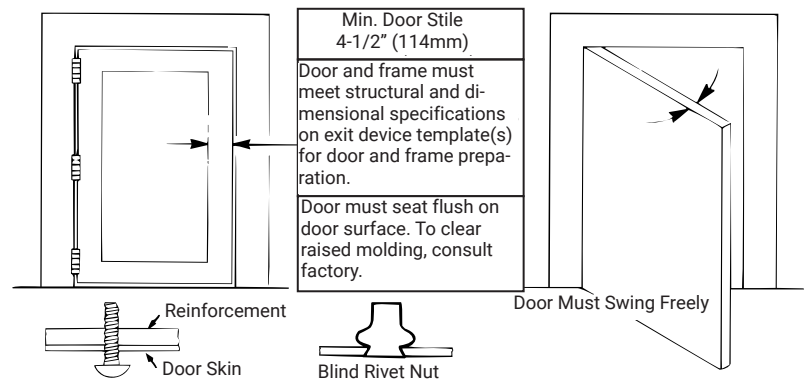
Unreinforced Doors or Frames

Doors and Frames with walls having a structural thickness (metal skin plus reinforcement or solid hardwood) to engage less than (3) full screw threads are considered unreinforced.

Unreinforced Doors: Use SNB (sex nuts and bolts).

Unreinforced Frames: Use Blind Rivet Nuts.

Recommended fasteners for unreinforced openings are not necessarily supplied



1. Installation

D. Mark Door

Single Door or Pair without Mullion

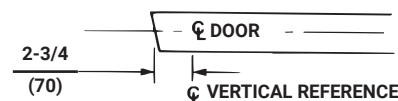
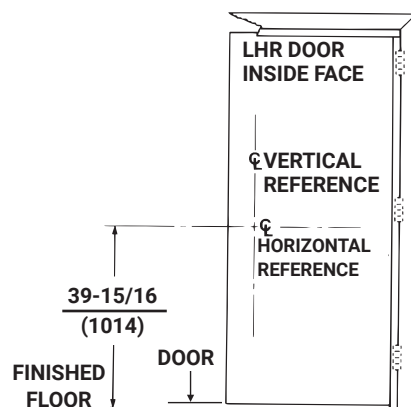
Locate and Mark Horizontal and Vertical Reference Centerlines as shown.

LHR door shown, preparation is typical for both door hands.

Caution: If device is mounted higher or lower than shown, rod length must change. Lengthen or cut top and bottom rods as shown on Step 5.

LBR: For Less Bottom Rod Devices, omit bottom latch and strike installation steps and see separate instructions for top latch and strike.

Note: Less Bottom Rod (LBR) Devices should not be used where security is a primary concern.



E. Prepare Door, Frame, & Sill

1. Locate "Device Template" aligning VERTICAL REFERENCE and HORIZONTAL REFERENCE lines. Tape template to door face.

2. Extend centerline of Rod and Strikes from "Device Template" to door top and bottom, on door face.

3. Locate Top Latch/Strike, Bottom Case and Bottom Strike templates aligned on centerline of Rods and Strikes on door. Tape templates in place and mark holes.

NOTE: The centerline of the rods and strikes used to install top and bottom bolts is not the Vertical Reference centerline.

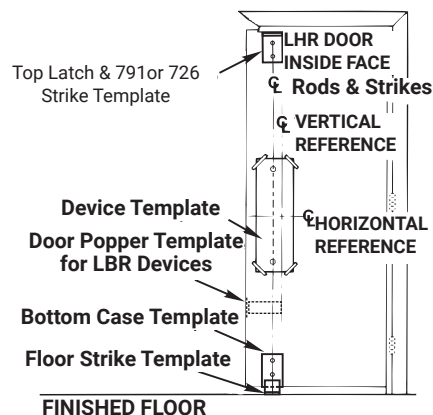
4. Locate and tape Trim Template to door (See instructions packed with Trim).

5. Mark and prepare holes:

Device & Bolt Case Plates: Each (2) 1/4-20 Machine Screws (Metal reinforced door only.) or (2) 3/8 (10mm) Dia. Sex Nuts & Bolts

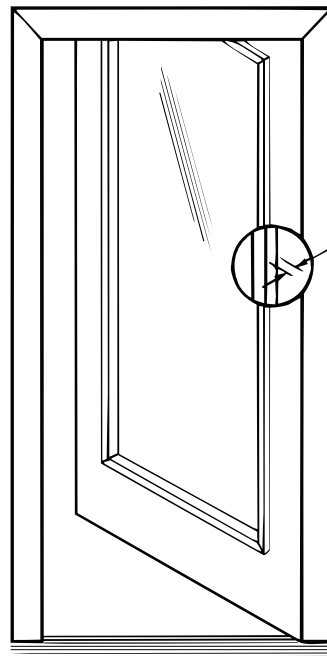
Top Strike: (2) 10-24 Machine Screws or (2) #10 Wood Screws

Bottom Strike: 5/8 (16mm) dia x 3/4 (19mm) deep hole



1. Installation

F. Clear Raised Door Molding



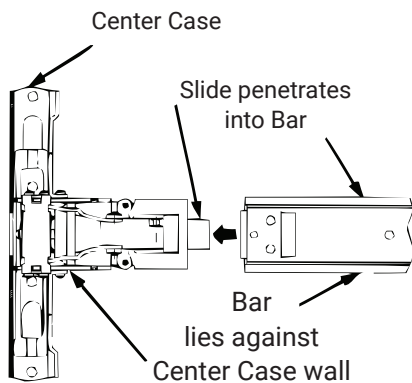
Device must seat flush on door surface or on shims that keep it parallel to door face.

(1) Shim Kit #224
per 1/8" (3mm) of raised molding

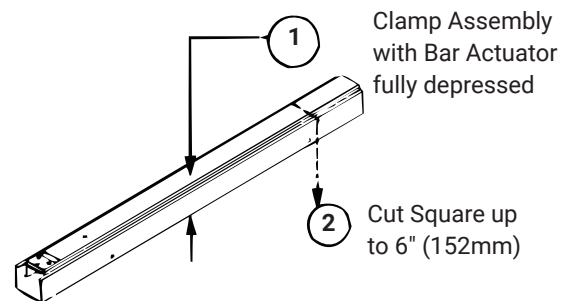
(1) Shim Kit #224 need to clear each 1/8" (3mm) of raised molding.

Longer mounting screws needed when more than (2) shim kits are used.

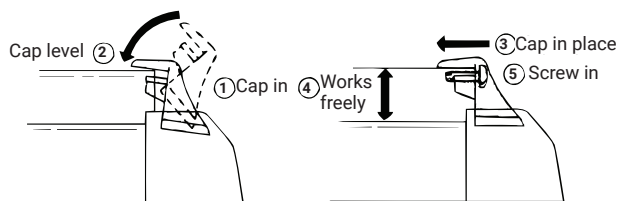
Detail 1: Fit Bar



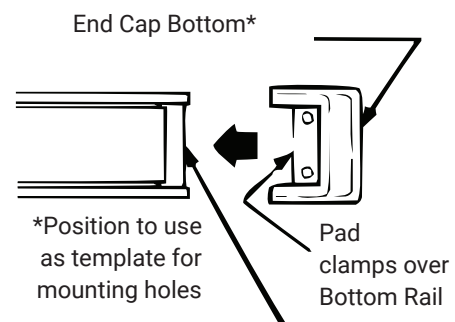
Detail 2: To Cut Bar



End Cap Detail



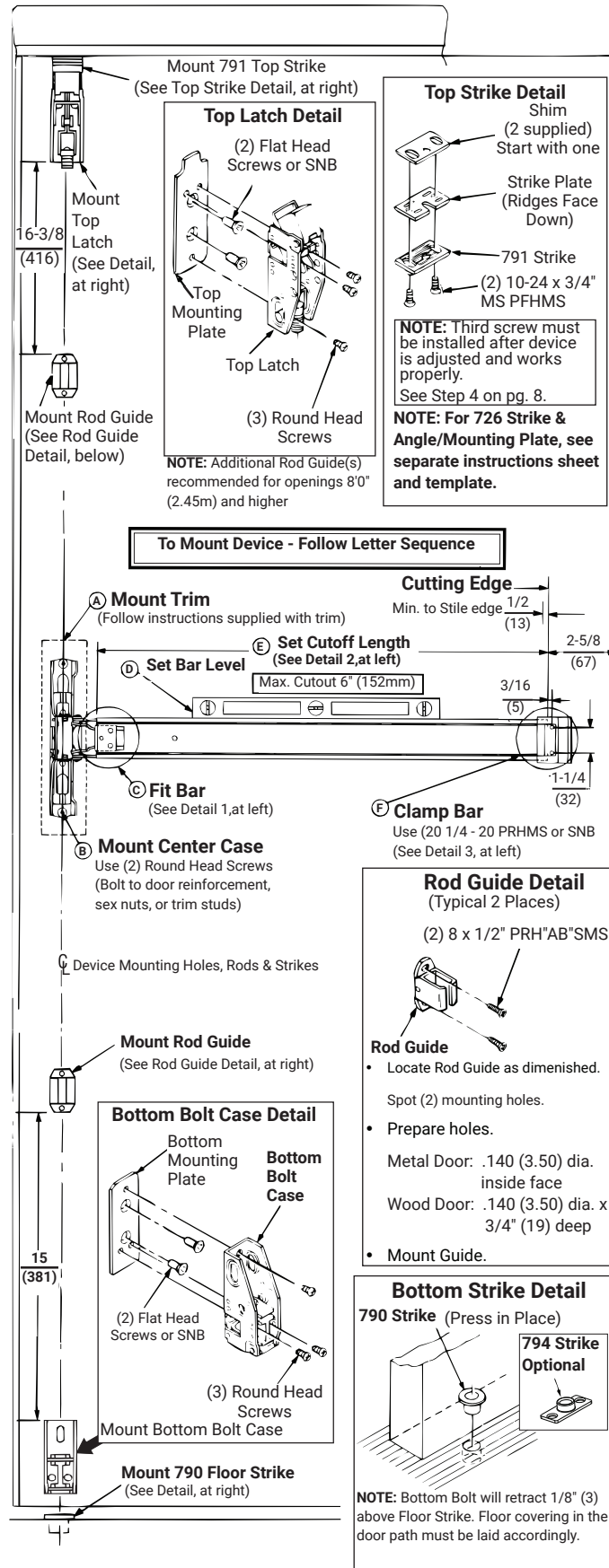
Detail 3: Clamp Bar



2110(F), 2170(F)(LBR), 1810(F)
Surface Vertical Rod Exit Devices
Installation Instructions

1. Installation

G. Mount Components



1-855-577-5078 Ext. 2 • www.accentra-assaabloy.com

Copyright © 1999, 2012, 2023, 2024, ASSA ABLOY ACCENTRA™ Access and Egress Hardware Group, Inc. All rights reserved. Reproduction in whole or in part without the express written permission of ASSA ABLOY Access and Egress Hardware Group, Inc. is prohibited.

1. Installation

H. Prepare Rods

Ready for 84" (2134) Openings

Openings under 84" (2134mm): For Top Rod cutoff length, deduct OPENING HEIGHT from 84" (2134mm).

Example: 80" (2032mm) opening

$$84" (2134\text{mm}) - 80" (2032\text{mm}) = 4" (102\text{mm}) \text{ cut off of Top Rod}$$

Opening over 84" (2134mm), subtract 84" (2134mm) from the actual opening height.

Example: 99" (2515mm) - 84" (2134mm)

$$= 15" (381\text{mm}) \text{ extension to Top Rod}$$

To Lengthen Rods

Use rod extension(s) to extend rod to length needed or longer (36" for 10' doors).

Cut excess length from end of rod with pin hole.

Apply screw locking compound, available at automotive parts stores, to rod extension(s) male threads. Thread extension(s) until seated tight over rod.

To Cut Rods

Cut from end with pin hole. NEVER CUT THREADED END.

Press Jig till it bottoms over Rod.

Drill 1/8" (3.2) Dia. hole thru, 3/8" (10) from end of Rod.

Bottom Rod

Ready for 39-15/16" (1014) Floor to Device Center

To Lower Device

Bottom rod cutoff length is distance that device was lowered below 39-15/16" (1014).

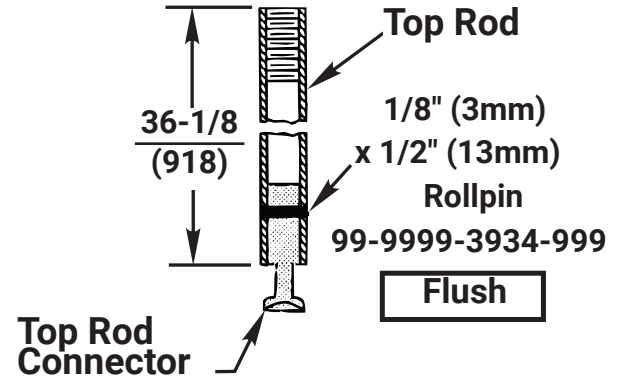
Add to top rod a length equal to the bottom rod cut.


Example:

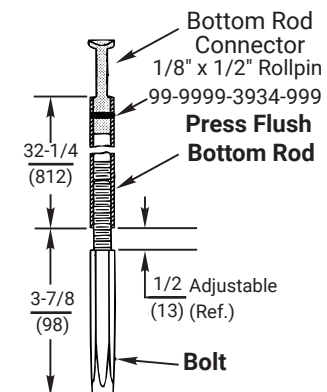
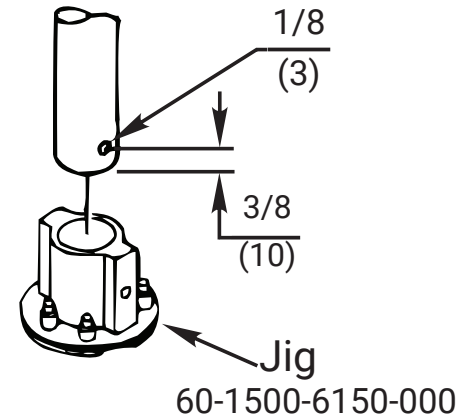
Device at 36" (914) from floor.

$$39-15/16" (1014) - 36" (914)$$

$$= 3-15/16" (100) \text{ extension to top rod}$$



Rod Extensions Options	
	60-1510-0280: 2" (51mm)
	60-1510-0277: 6" (152mm)
	60-1510-0278: 12" (305mm)
	(Specify Device Finish)



2110(F), 2170(F)(LBR), 1810(F) Surface Vertical Rod Exit Devices Installation Instructions



1. Installation

I. Complete Installation

1. Check Device Slide Action

Slide should move up, at least 9/16" (14). Depress bar, activate trim, dog device. With any of these actions, the slide should move up. The slide must return to original position when bar, trim or dogging actions end.

NOTE: If action is faulty, check for visible binding or interference. If no reason for fault is seen, remove item from door and check operation before assuming that it is defective.

2. Install Rods, as shown

Top rod rests over device slide. Bottom rod connector hangs from device slide.

3. Set Top Strike Roller between Tripping Lever and Bolt.

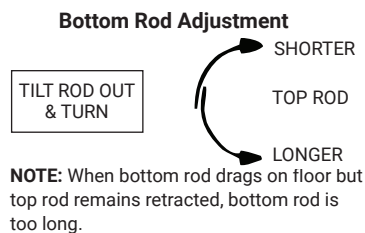
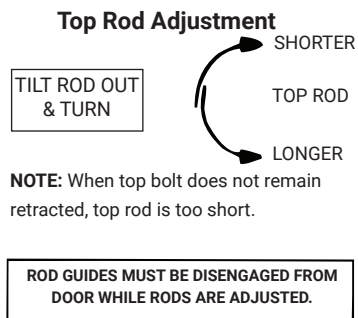
DO NOT PRELOAD BOLT.

Adjust and shim strike as needed for zero door rattle.

4. Test Device action by Touchbar, by Trim, by Dogging.

ADJUST AS NEEDED.

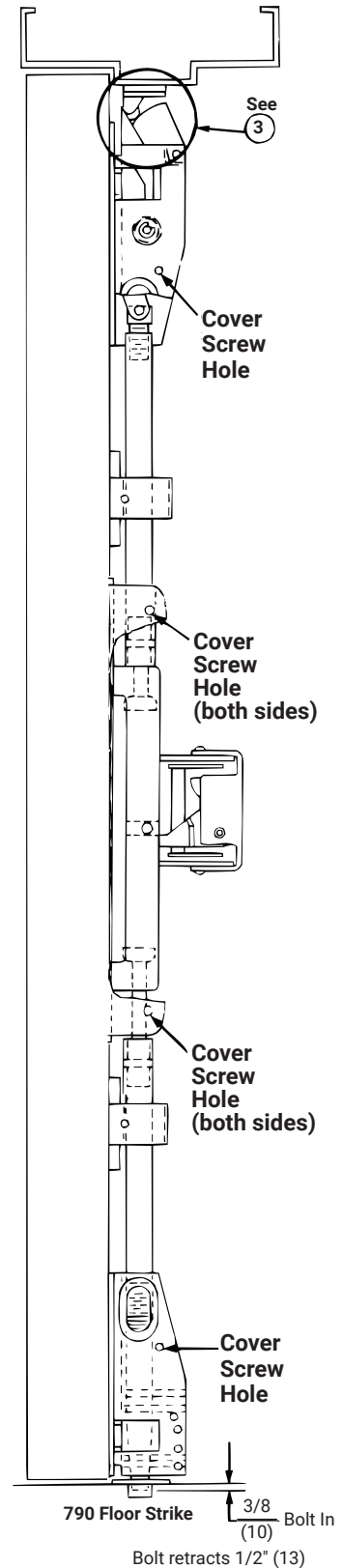
See Bottom Rod Adjustment and Top Rod Adjustment, below. Both bolts should retract, permitting free door swing. Upper bolt should retract flat. Bottom bolt should retract 1/2" (13). Bolts remain retracted until door shuts and top strike hits tripping lever.



After acceptable device function, Install third screw in top strike to lock strike in position: 10-24 x 3/4" FHMS.

5. Install Covers

Center case cover (4 flat head screws). Bolt case covers (2 flat head screws each). End cap top (1 pan head screw). See End Cap Detail, page 3.



1-855-577-5078 Ext. 2 • www.accentra-assaabloy.com

Copyright © 1999, 2012, 2023, 2024, ASSA ABLOY ACCENTRA™ Access and Egress Hardware Group, Inc. All rights reserved. Reproduction in whole or in part without the express written permission of ASSA ABLOY Access and Egress Hardware Group, Inc. is prohibited.

80-9421-0010-000 04/24

Experience a safer
and more open world

ACCENTRA

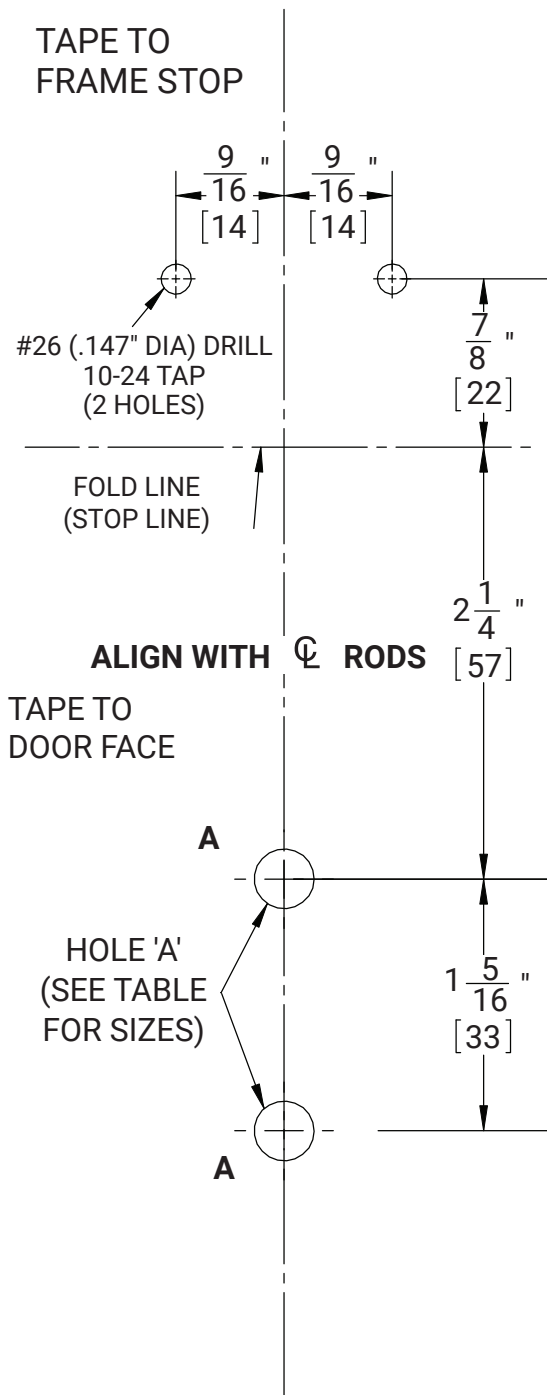
ASSA ABLOY

2. Templates

**2110(F), 2170(F)(LBR), 1810(F)
Surface Vertical Rod Exit Devices
Installation Instructions**

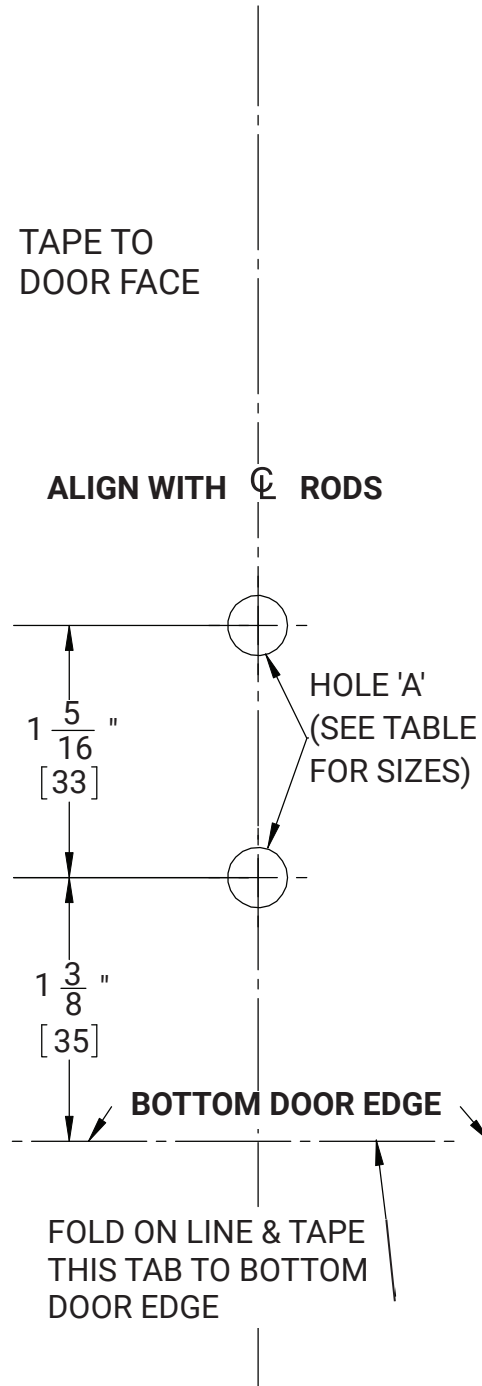
TOP LATCH & 791 STRIKE

(2110 only)



BOTTOM BOLT CASE

TAPE TO DOOR FACE



NOTES:

1. For 2170 series devices omit the 791 strike and use this template with the 726 strike template (page 9).
2. Mark C rods line on door face. Note that the centerline of the rods and strikes, used to install top and bottom bolts, is not the vertical reference centerline.
3. For LBR devices, omit bottom latch and strike installation steps and see separate instructions for top latch and strike.
4. Less Bottom Rod (LBR) Devices should not be used where security is a primary concern.
5. Unreinforced frames require that #10-24 blind rivet nuts (by others) be used to bolt strike. Frames are considered not reinforced when strike mounting screws cannot engage (3) full threads.
6. Unreinforced frames require that #10-24 blind rivet nuts (by others) be used to bolt strike. Frames are considered not reinforced when strike mounting screws cannot engage (3) full threads.
7. Caution: Office copiers and facsimile machines may change the size of a drawing and make the template inaccurate to use as a door marker. If this is not the original template packed with the device, use only the dimensions written on the template to locate the holes on the door (do not use the template as a door marker).

CUT LINE

DOOR/FRAME	FASTENER	HOLE "A" PREPARATION
Metal Reinforced	1/4-20 PPHMS	Drill: #7 (.201 dia.) Tap: 1/4-20
All Others	1/4-20 SNB	3/8" (9.5mm) dia. Thru door

LHR Door

FLIP TO OTHER SIDE FOR RHR DOOR

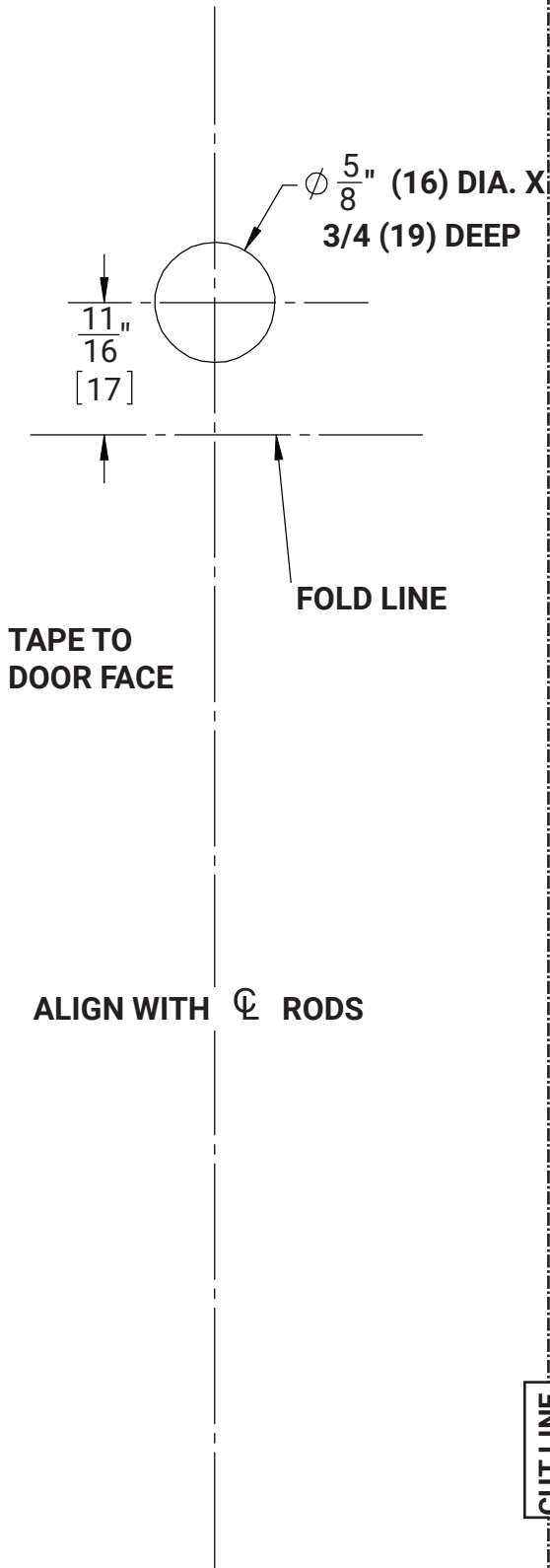


ACCENTRA

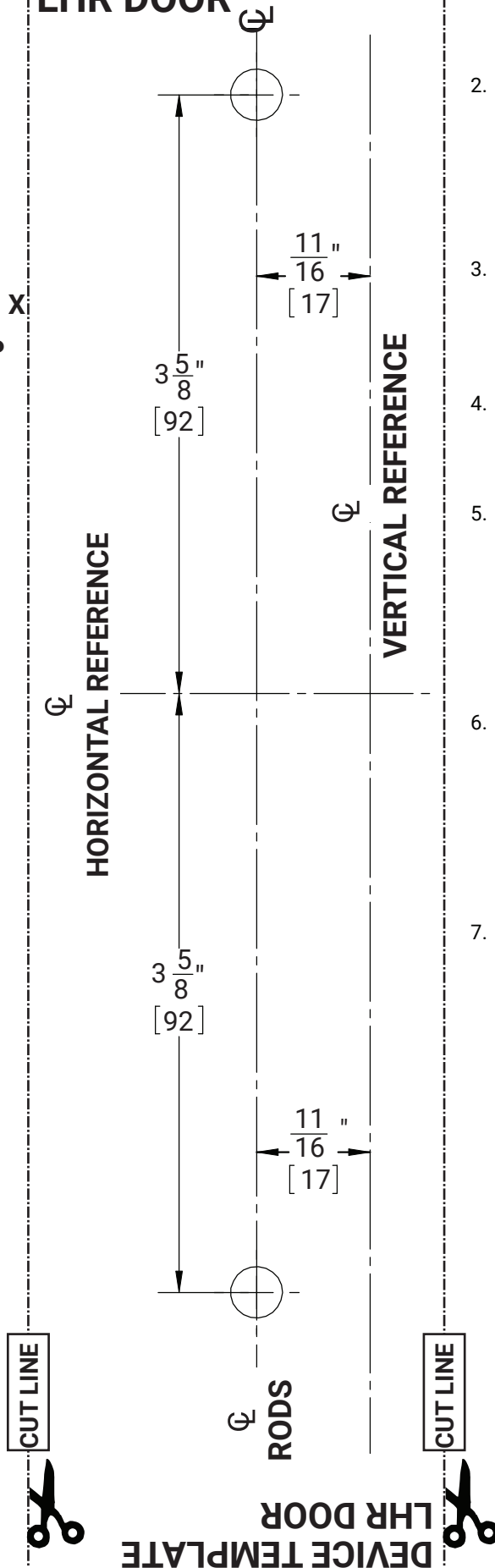
ASSA ABLOY

**2110(F), 2170(F)(LBR), 1810(F)
Surface Vertical Rod Exit Devices
Installation Instructions**

790 STRIKE



DEVICE TEMPLATE LHR DOOR



NOTES:

- For 2170 series devices omit the 791 strike and use this template with the 726 strike template (page 9).
- Mark ϕ rods line on door face. Note that the centerline of the rods and strikes, used to install top and bottom bolts, is not the vertical reference centerline.
- For LBR devices, omit bottom latch and strike installation steps and see separate instructions for top latch and strike.
- Less Bottom Rod (LBR) Devices should not be used where security is a primary concern.
- Unreinforced frames require that #10-24 blind rivet nuts (by others) be used to bolt strike. Frames are considered not reinforced when strike mounting screws cannot engage (3) full threads.
- Unreinforced frames require that #10-24 blind rivet nuts (by others) be used to bolt strike. Frames are considered not reinforced when strike mounting screws cannot engage (3) full threads.
- Caution: Office copiers and facsimile machines may change the size of a drawing and make the template inaccurate to use as a door marker. If this is not the original template packed with the device, use only the dimensions written on the template to locate the holes on the door (do not use the template as a door marker).

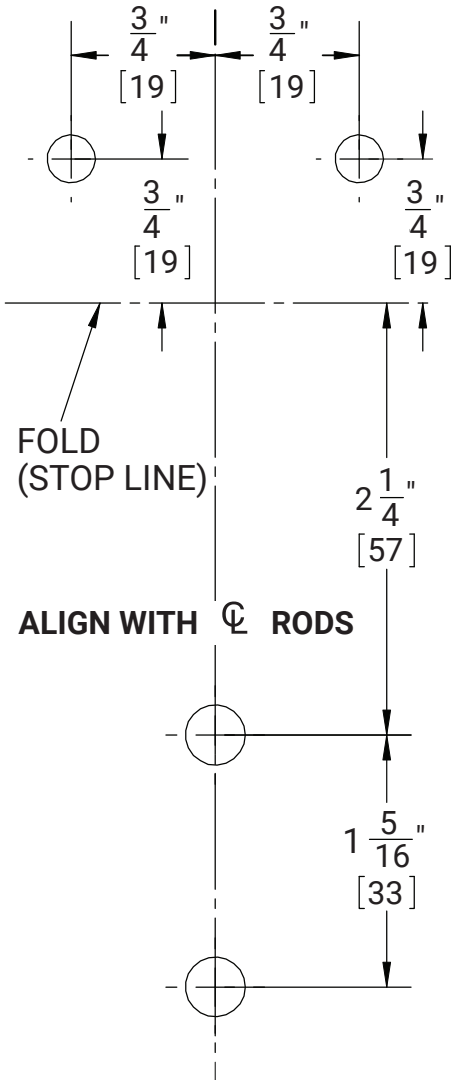
DEVICE TEMPLATE
LHR DOOR

ACCENTRA

ASSA ABLOY

**2110(F), 2170(F)(LBR), 1810(F)
Surface Vertical Rod Exit Devices
Installation Instructions**

TAPE THIS TAB TO FRAME STOP
726 STRIKE
For Use With
2170 Series Devices



DOOR	FASTNER	HOLE 'A'
METAL REINFORCED	SCREW	1/4-20 TAP
HOLLOW METAL & ALUMINUM	OPTIONAL SNB	5/16 (8) DIA INSIDE DOOR FACE 3/8 (10) DIA OUTSIDE DOOR FACE
ALUMINUM	SNB	THRU DOOR

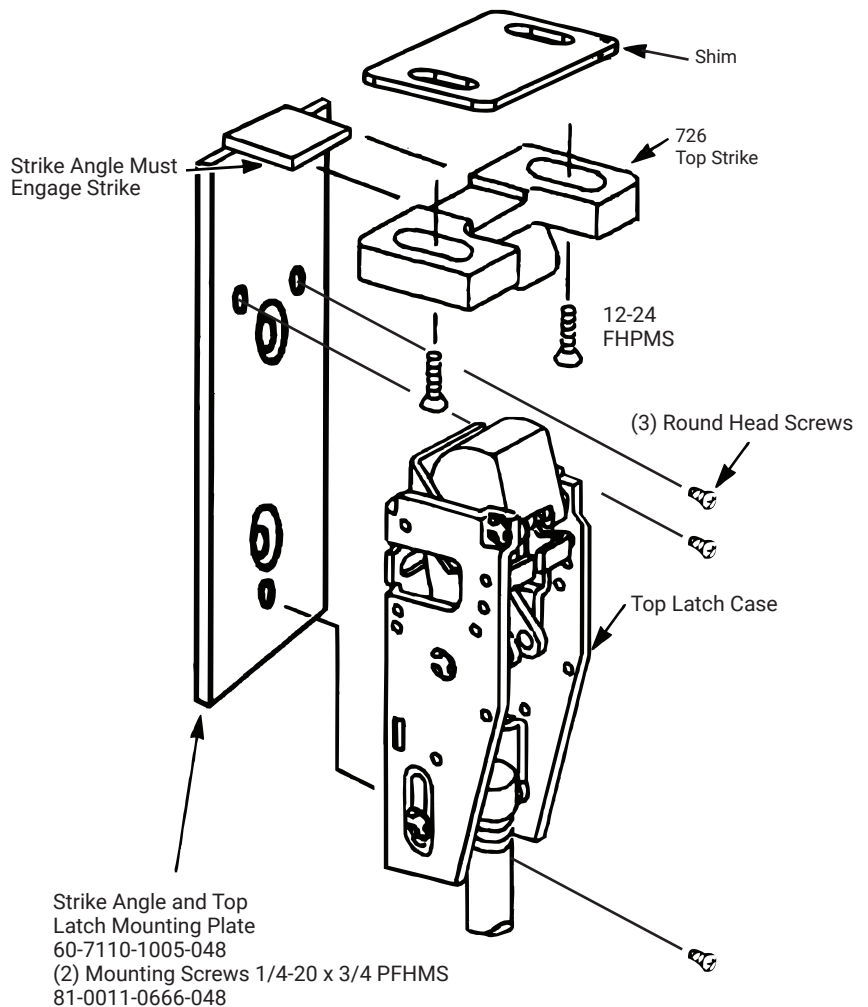
TAPE TO DOOR
TOP LATCH & STRIKE

CUT LINE



NOTES:

1. 726 strike template for use with 2170 Series devices.
2. Mark Rods line on door face. Note that the centerline of the rods and strikes used to install top and bottom bolts, is not the Vertical Reference centerline.
3. For LBR (Less Bottom Rod) Devices, omit bottom latch and strike installation and install 726 Top Strike with Strike Angle and "Popper" assembly supplied with device.
4. Caution: LBR Devices should not be used where security is a primary concern.
5. 726 Top Strike Installation: With door securely closed, tape template to door and frame stop. Spot and prepare holes for 726 top strike and shim using (2) 12-24 Flat Head Screws provided. With template still in-place, assemble upper mounting plate to door with the strike angle engaged into the 726 top strike, as shown below. Adjust hole locations for the mounting plate if required. Spot and prepare (2) holes as designated on the template.
6. Unreinforced frames require that 12-24 blind rivet nuts (by others) be used to bolt strike. Frames are considered not reinforced when strike mounting screws cannot engage (3) full threads.
7. Dimensions are given in inches (mm).
8. Caution: Office copiers and facsimile machines may change the size of a drawing and make the template inaccurate to use as a door marker. If this is not the original template packed with the device, use only the dimensions written on the template to locate the ϕ on the door (do not use the template as a door marker).



ACCENTRA

ASSA ABLOY

**2110(F), 2170(F)(LBR), 1810(F)
Surface Vertical Rod Exit Devices
Installation Instructions**

Plastic Installation Template/ 2100 Exit Devices

For use in conjunction with instruction sheets packed with exit device.

Holes and slots are identified below by exit device series and trim. Prep door and frame for only those features required for the exit device being installed.

