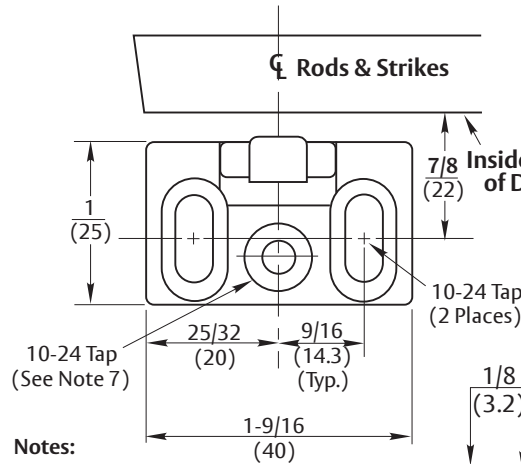
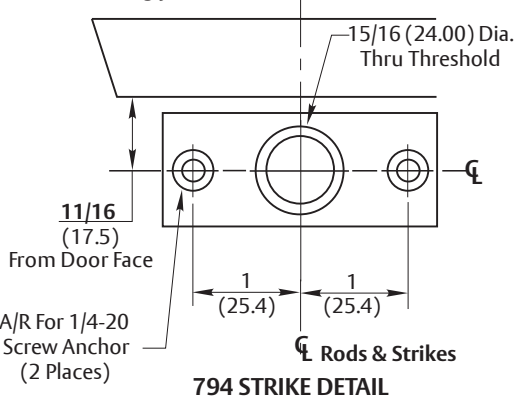


### 791 STRIKE DETAIL

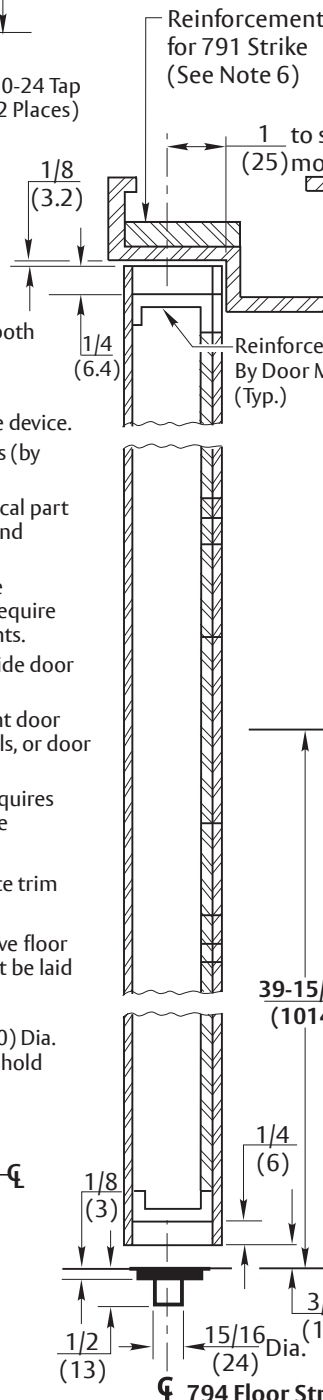


**Notes:**

1. Do not scale drawing.
2. Dimensions are in inches (mm).
3. LHR door shown. Preparation is typical for both door hands.
4. Minimum door stile width: 4-1/2 (114).
5. Prepare mounting holes when installing the device.
6. Unreinforced frames require blind rivet nuts (by others) to mount the strike.
7. This hole **MUST** be field located using physical part as template, after installation is complete and device is fully operational.
8. For recommended door reinforcements see template 7400-0000. Unreinforced doors require SNB option to mount the device components.
9. Holes for optional SNB: 9/32 (7.00) dia., inside door face; 3/8 (9.50) dia., outside door face.
10. Provide door stiffeners, as needed to prevent door collapse due to installation with power tools, or door use, or abuse.
11. Device mount to hinge stile (not shown) requires hole location and preparation during device installation.
12. For outside trim preparation see appropriate trim template.
13. Bottom bolt should retract to 1/8 (3.2) above floor strike. Floor coverings in the door path must be laid accordingly.

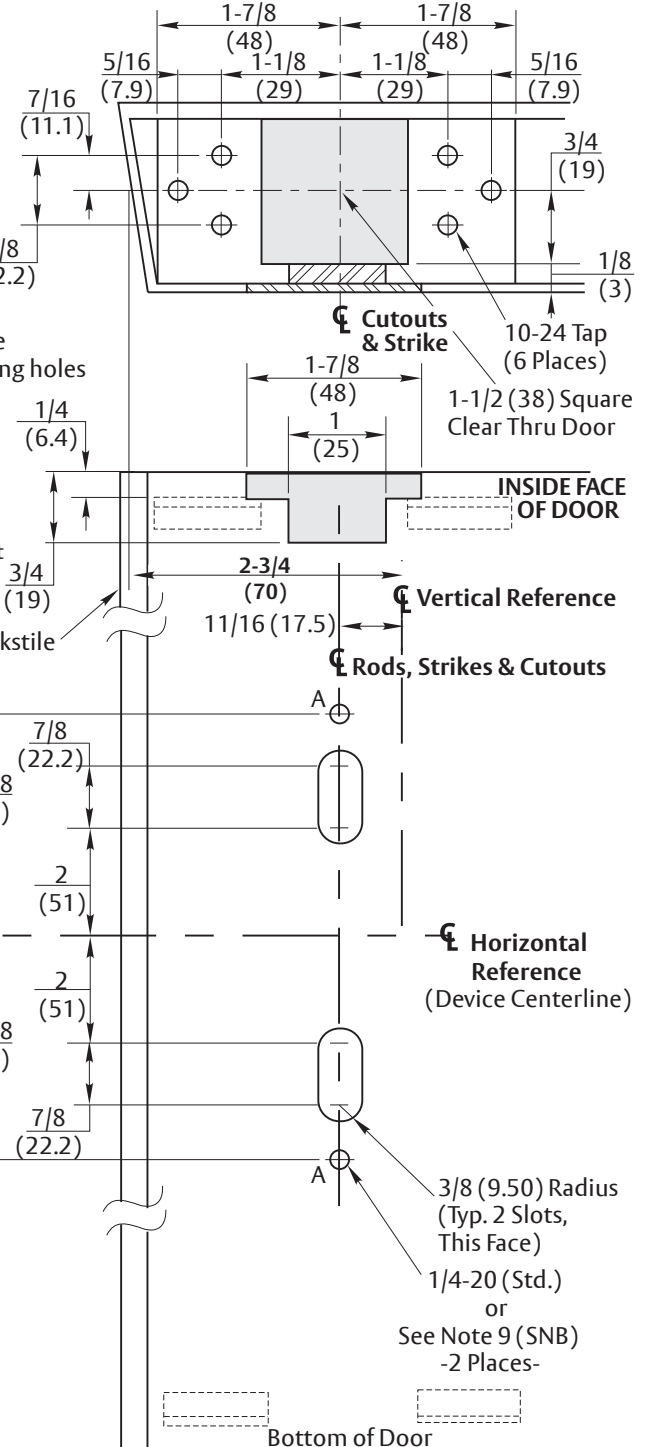


**794 STRIKE DETAIL**



**794 Floor Strike & Bolt**

### Typical Top & Bottom Door Detail (Door Face Cutout Top Only, As Shown)



**Finished Floor**

**Bottom of Door**

**RESPONSIBILITY**

DOOR AND FRAME MANUFACTURERS ARE RESPONSIBLE FOR PROVIDING ADEQUATE CONSTRUCTION OR REINFORCEMENTS FOR PROPER INSTALLATION OF HARDWARE SHOWN. ALL ARCHITECTURAL BUILDERS HARDWARE MUST BE INSTALLED ON PROPERLY REINFORCED DOORS AND FRAMES, REGARDLESS OF TYPE, MATERIAL, OR METHOD OF CONSTRUCTION.

**2120, 2125 & 2120F**  
**with Optional 794 Strike**  
 Application for Metal Door and Frame  
 Without Threshold

Contact us for support at 1-855-557-5078.

**ASSA ABLOY**

SUPERSEDES	04/10	DO NOT SCALE DRAWING
TEMPLATE NUMBER	7421-0022	DATE 12-23