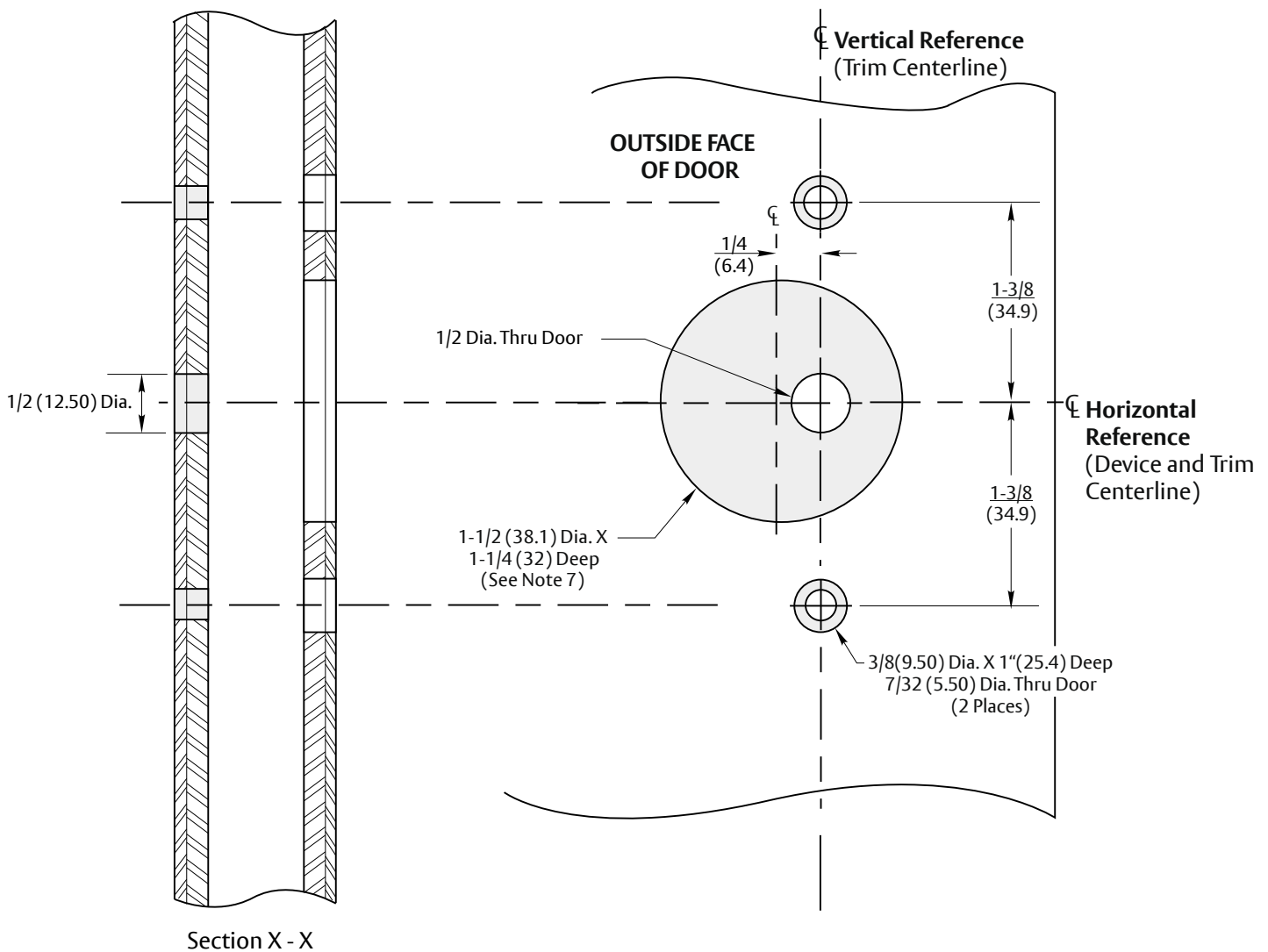
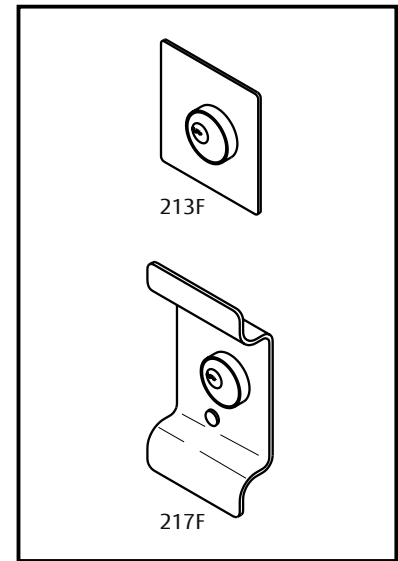


Notes:

1. This template is an addition to the device template. Locate centerlines using horizontal and vertical references on device template.
2. Do not scale drawing.
3. Dimensions are in inches (mm).
4. LHR door shown. Preparation is typical for both door hands.
5. For door reinforcement see template 7400-0000.
6. Prepare mounting holes when installing the trim.
7. Provide adequate internal support to prevent door deformation after trim is bolted to the door.
8. At specifiers option ANSI A115.2 cutout thru door may be substituted. If type 161 stock doors are used a filler plate (by others) is required for the door edge.
9. Dimensions given about a centerline are symmetrical.



**RESPONSIBILITY**  
 DOOR AND FRAME MANUFACTURERS ARE RESPONSIBLE FOR PROVIDING ADEQUATE CONSTRUCTION OR REINFORCEMENTS FOR PROPER INSTALLATION OF HARDWARE SHOWN. ALL ARCHITECTURAL BUILDERS HARDWARE MUST BE INSTALLED ON PROPERLY REINFORCED DOORS AND FRAMES, REGARDLESS OF TYPE, MATERIAL, OR METHOD OF CONSTRUCTION.

**213F and 217F Trim**  
 Application for Metal Door  
 with 2100(F) Series Rim and Vertical Rod Exit  
 Devices

**Contact us for support at 1-855-557-5078.**

**ASSA ABLOY**

SUPERSEDES 7400-0213 08/99	DO NOT SCALE DRAWING	
TEMPLATE NUMBER	7400-0213	DATE 01-24