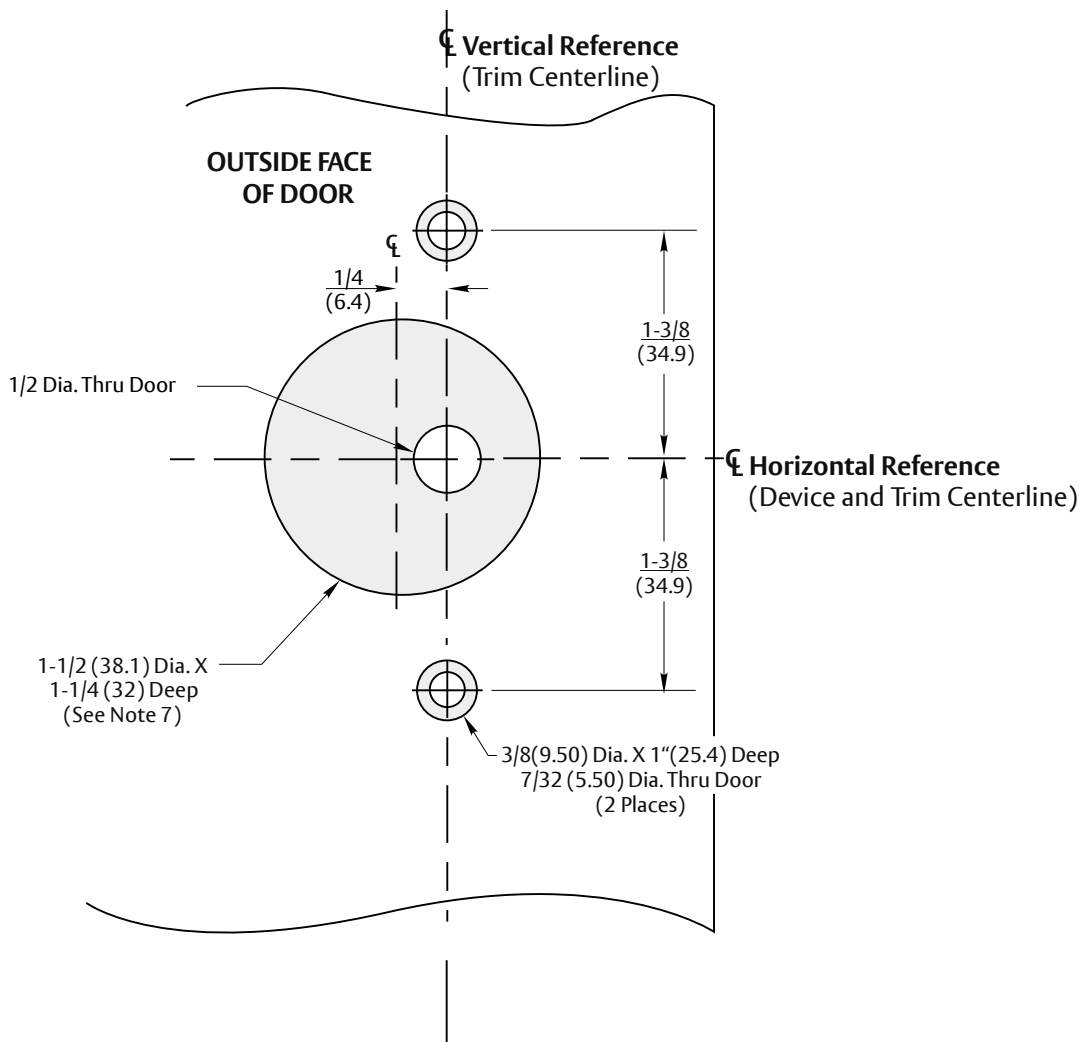
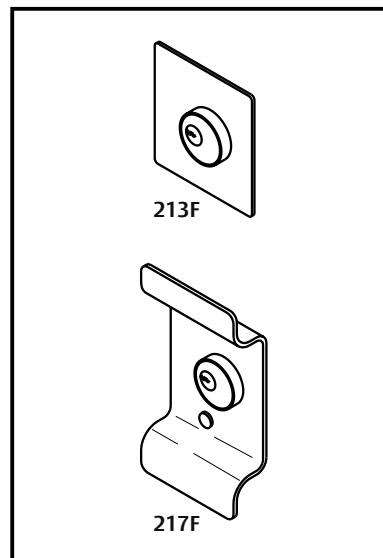


NOTES:

1. This template is an addition to the device template. Locate centerlines using horizontal and vertical references on device template.
2. Do not scale drawing.
3. Dimensions are in inches (mm).
4. LHR door shown. Preparation is typical for both door hands.
5. Prepare mounting holes when installing trim.
6. Provide adequate internal support to maintain door integrity during operation.
7. At specifier's option, stock door with ANSI A115.W2 cutout may be substituted. These doors require a filler plate for the door edge cutout (by others).



RESPONSIBILITY
 DOOR AND FRAME MANUFACTURERS ARE RESPONSIBLE FOR PROVIDING ADEQUATE CONSTRUCTION OR REINFORCEMENTS FOR PROPER INSTALLATION OF HARDWARE SHOWN. ALL ARCHITECTURAL BUILDERS HARDWARE MUST BE INSTALLED ON PROPERLY REINFORCED DOORS AND FRAMES, REGARDLESS OF TYPE, MATERIAL, OR METHOD OF CONSTRUCTION.

213F and 217F Trim
 With 2100(F) Series Rim and Vertical Rod Exit Devices Wood or Composite Door
Contact us for support at 1-855-557-5078.

ASSA ABLOY

SUPERSEDES	8/99	DO NOT SCALE DRAWING
TEMPLATE NUMBER	7400-1213	DATE 12-23

Experience a safer and more open world