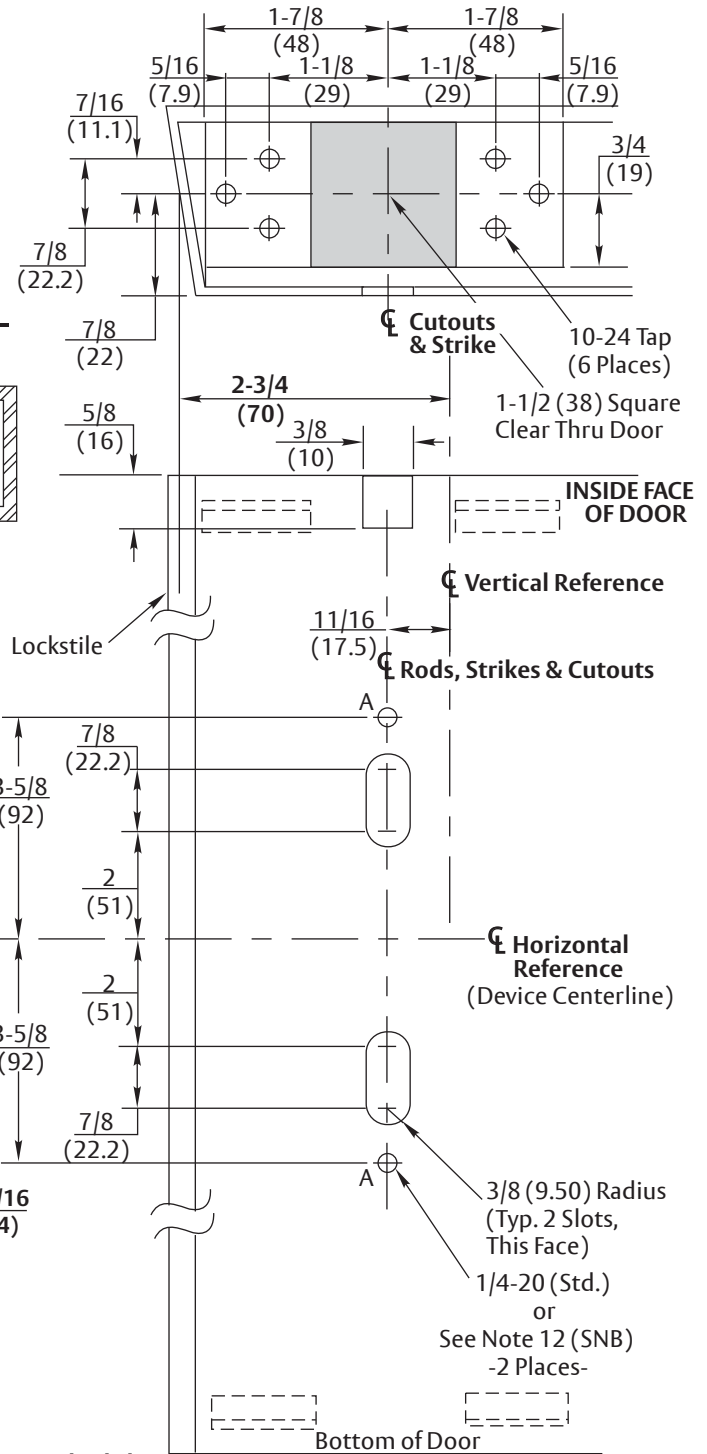
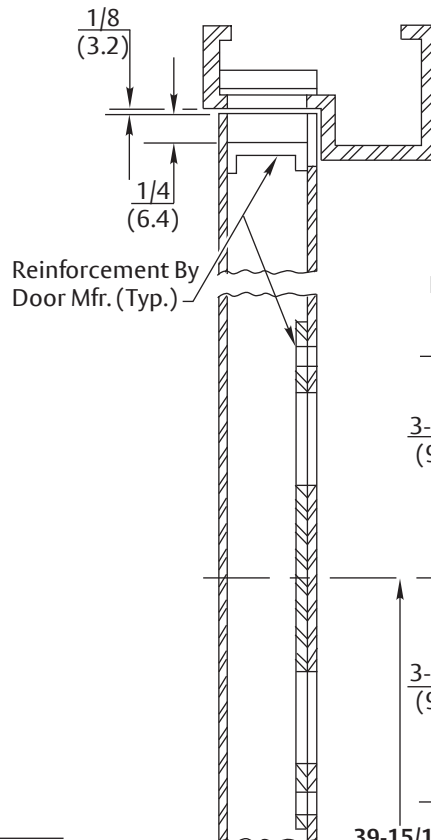


**See Sheet 2 for Notes
& Top Strike Detail**

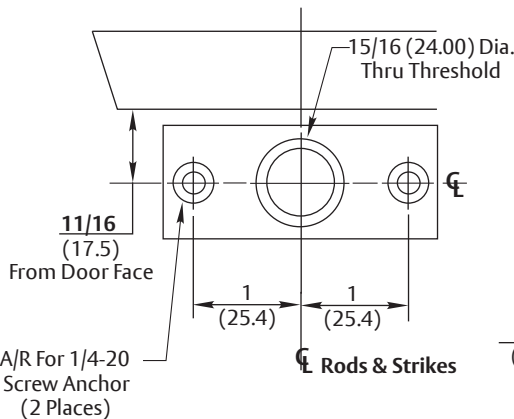
**Typical Top & Bottom Door Detail
(Door Face Cutout Top Only, As Shown)**



Section Thru Cutouts Center



**794 STRIKE DETAIL
-See Note 14-**



RESPONSIBILITY

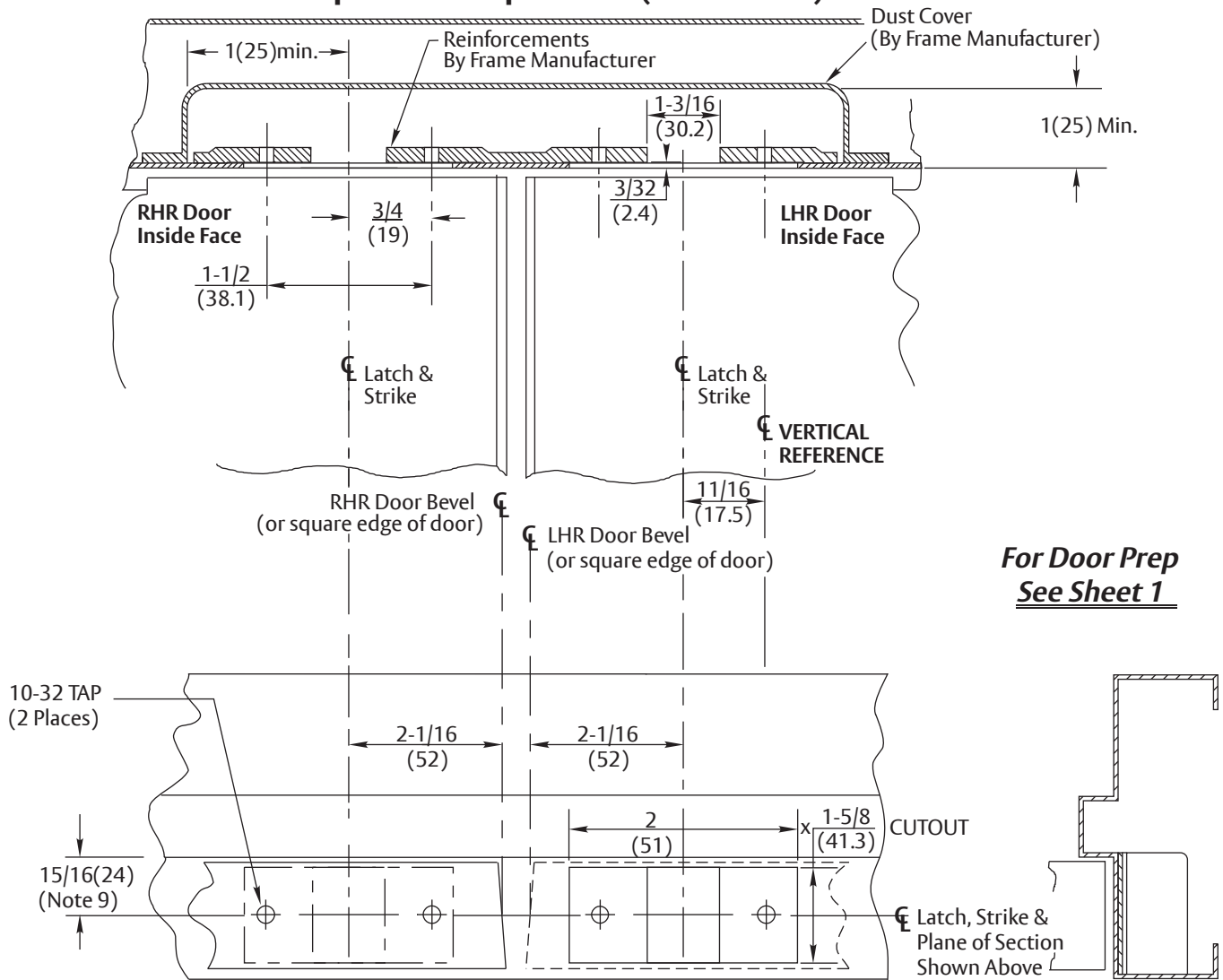
DOOR AND FRAME MANUFACTURERS ARE RESPONSIBLE FOR PROVIDING ADEQUATE CONSTRUCTION OR REINFORCEMENTS FOR PROPER INSTALLATION OF HARDWARE SHOWN. ALL ARCHITECTURAL BUILDERS HARDWARE MUST BE INSTALLED ON PROPERLY REINFORCED DOORS AND FRAMES, REGARDLESS OF TYPE, MATERIAL, OR METHOD OF CONSTRUCTION.

**2160, 2165, 2160(F90) Series
Concealed Vertical Rod Exit Devices**
Application for Metal Door and Frame With 1/2" Threshold and 794 Optional Floor Strike
Contact us for support at 1-855-557-5078.

ASSA ABLOY

SUPERSEDES	04/10	DO NOT SCALE DRAWING	
TEMPLATE NUMBER	7421-0061	SHEET	1 of 2
		DATE	12-23

761 Top Strike Preparation (See Note 6)



Notes:

- Do not scale drawing.
- Dimensions are in inches (mm).
- Preparation is typical for both hands.
- Minimum door stile width: 4-1/2 (114).
- Prepare mounting holes when installing the device.
- Drawing shows elevation (frame bisected on strike center), bottom view looking up and side view.
- Provide adequate structural support to maintain door integrity after device installation with power tools, door use, or abuse.
- For recommended door reinforcements see template 7400-0000.
- Door located in frame for door silencers. If not used, compensate this dimension to seat the door against the stop without rattle.
- Device mount to hinge stile (not shown) requires hole location and preparation during device installation.
- For outside trim preparation see appropriate trim template.
- Holes for optional SNB (Required for unreinforced doors):
9/32 (7.00) dia., inside door face;
3/8 (9.50) dia., outside door face.
- Maximum thickness 5/32 (4.0) when outside escutcheon trim is used.
- Bottom bolt should retract to 1/8 (3.2) above floor strike. Floor coverings in the door path must be laid accordingly.

RESPONSIBILITY

DOOR AND FRAME MANUFACTURERS ARE RESPONSIBLE FOR PROVIDING ADEQUATE CONSTRUCTION OR REINFORCEMENTS FOR PROPER INSTALLATION OF HARDWARE SHOWN. ALL ARCHITECTURAL BUILDERS HARDWARE MUST BE INSTALLED ON PROPERLY REINFORCED DOORS AND FRAMES, REGARDLESS OF TYPE, MATERIAL, OR METHOD OF CONSTRUCTION.

**2160, 2165, 2160(F90) Series
Concealed Vertical Rod Exit Devices**
Application for Metal Door and Frame With 1/2"
Threshold and 794 Optional Floor Strike
Contact us for support at 1-855-557-5078.

ASSA ABLOY

SUPERSEDES	04/10	DO NOT SCALE DRAWING	
TEMPLATE NUMBER	7421-0061	SHEET	2 of 2
		DATE	12-23