

**For Notes & Frame Prep**  
**See Sheet 2**

**DOOR SPECIFICATION**

**Door Thickness :** 1-3/4"  
(45mm) Min.

**Door Construction:** Wood or composite door with fire or panic rating as required. Door may require metal channel edge which may alter backset dimensions. Consult door manufacturers listings.

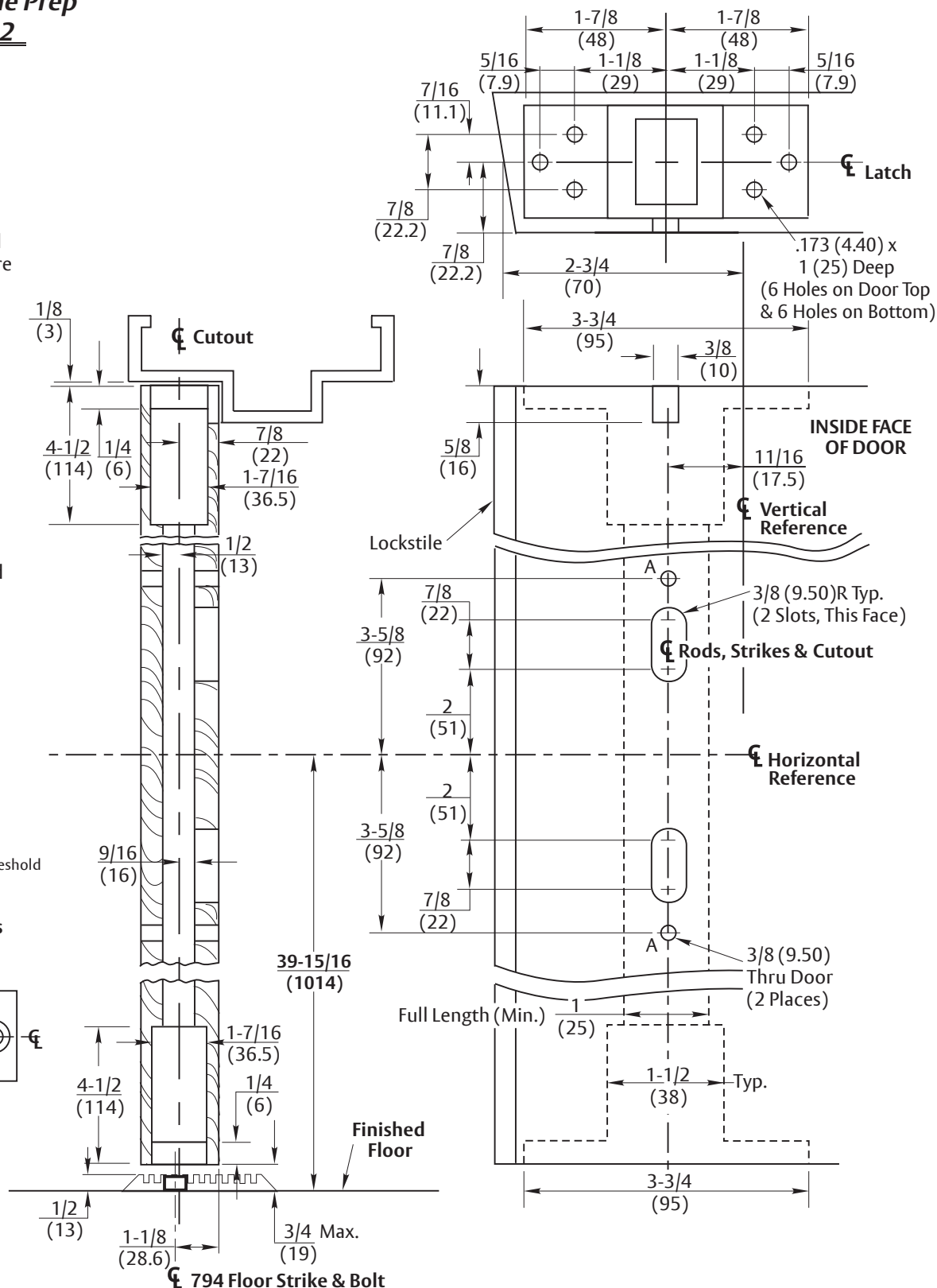
**Exit Device Ratings:**

2160, 2165 Panic Exit Doors up to 4'x8'

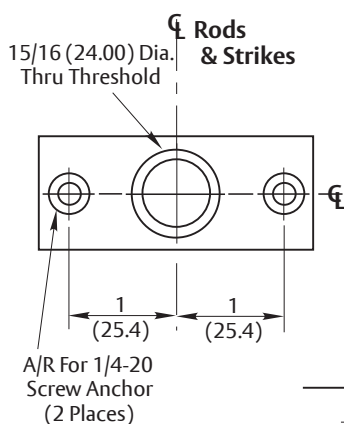
2160F90, 90 Minute Rated Fire Exit Doors up to 4'x8'

2160-10, 2165-10 Panic Exit Doors up to 4' x 10'

2160F90-10, 90 Minute Rated Fire Exit Doors up to 4'x10'



**794 STRIKE DETAIL**  
Application Under 1/2 (13) Threshold



A/R For 1/4-20 Screw Anchor (2 Places)

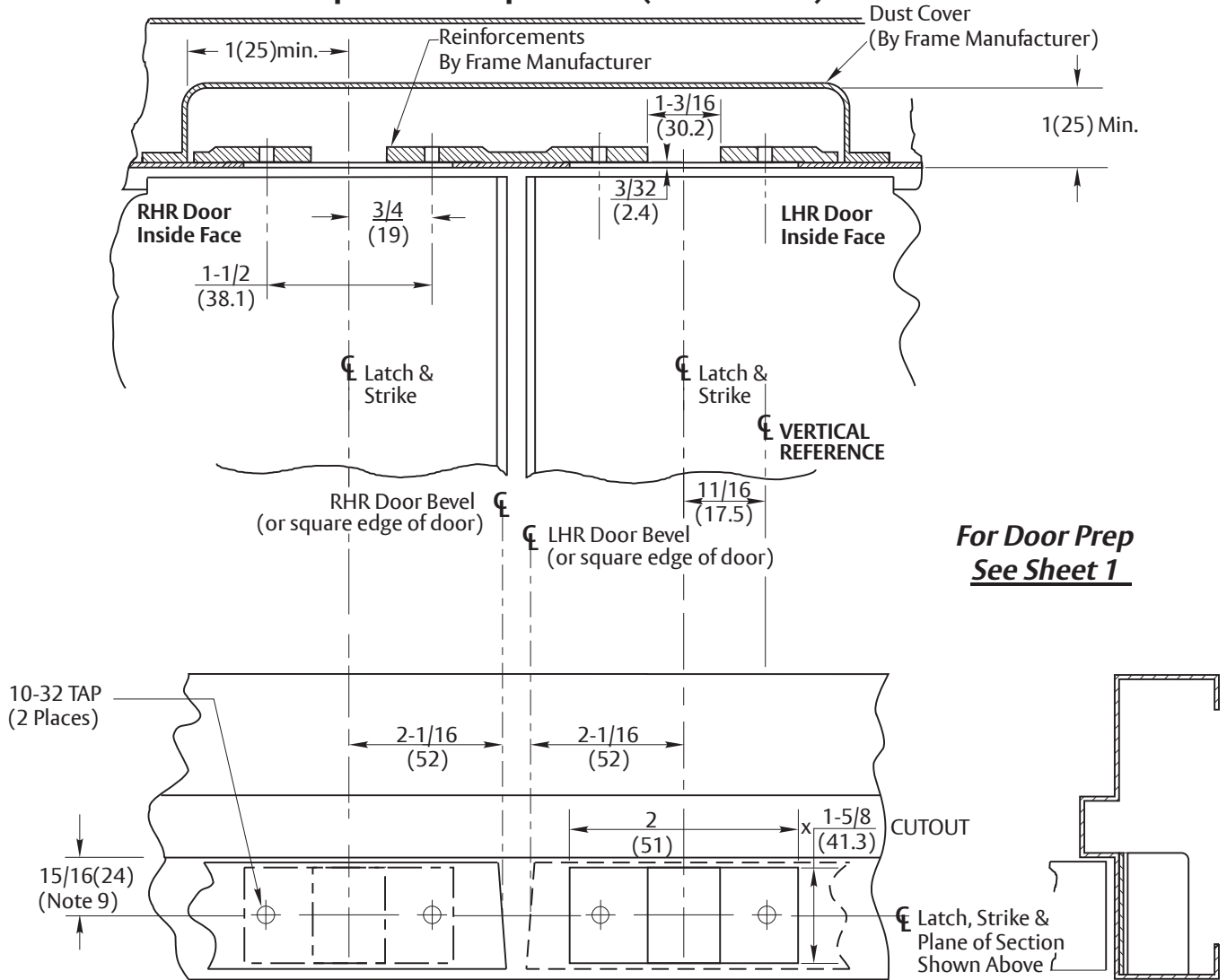
**RESPONSIBILITY**  
DOOR AND FRAME MANUFACTURERS ARE RESPONSIBLE FOR PROVIDING ADEQUATE CONSTRUCTION OR REINFORCEMENTS FOR PROPER INSTALLATION OF HARDWARE SHOWN. ALL ARCHITECTURAL BUILDERS HARDWARE MUST BE INSTALLED ON PROPERLY REINFORCED DOORS AND FRAMES, REGARDLESS OF TYPE, MATERIAL, OR METHOD OF CONSTRUCTION.

**2160, 2165, 2160(F90) Series**  
**Concealed Vertical Rod Exit Devices**  
Application for Wood Door & Metal Frame with 1/2" Threshold & Optional 794 Floor Strike  
**Contact us for support at 1-855-557-5078.**

**ASSA ABLOY**

SUPERSEDES	04/10	DO NOT SCALE DRAWING	
TEMPLATE NUMBER	7421-1061	SHEET	1 of 2
		DATE	12-23

## 761 Top Strike Preparation (See Note 6)



**For Door Prep**  
**See Sheet 1**

### Notes:

- Do not scale drawing.
- Dimensions are in inches (mm).
- Preparation is typical for both hands.
- Minimum door stile width: 4-1/2 (114).
- Prepare mounting holes when installing the device.
- Drawing shows elevation (frame bisected on strike center), bottom view looking up and side view.
- Provide adequate structural support to maintain door integrity after device installation with power tools, door use, or abuse.
- This template does not cover devices without bottom rod ("LBR" Series).
- Door located in frame for door silencers. If not used, compensate this dimension to seat the door against the stop without rattle.
- Device mount to hinge stile (not shown) requires hole location and preparation during device installation. Door structural requirements are similar for both stiles.
- For outside trim preparation see appropriate trim template.
- Bottom bolt should retract to 5/32 (4.0) above floor strike. Floor coverings in the door path must be laid accordingly.

### RESPONSIBILITY

DOOR AND FRAME MANUFACTURERS ARE RESPONSIBLE FOR PROVIDING ADEQUATE CONSTRUCTION OR REINFORCEMENTS FOR PROPER INSTALLATION OF HARDWARE SHOWN. ALL ARCHITECTURAL BUILDERS HARDWARE MUST BE INSTALLED ON PROPERLY REINFORCED DOORS AND FRAMES, REGARDLESS OF TYPE, MATERIAL, OR METHOD OF CONSTRUCTION.

**2160, 2165, 2160(F90) Series**  
**Concealed Vertical Rod Exit Devices**  
Application for Wood Door & Metal Frame  
with 1/2" Threshold & Optional 794 Floor Strike  
**Contact us for support at 1-855-557-5078.**

# ASSA ABLOY

SUPERSEDES	04/10	DO NOT SCALE DRAWING	
TEMPLATE NUMBER	7421-1061	SHEET	2 of 2
		DATE	12-23