

(Fig 1.)

⚠ WARNING

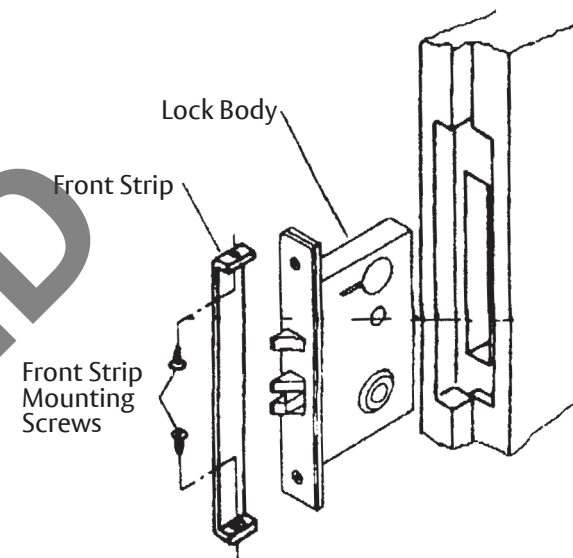
This product can expose you to lead which is known to the state of California to cause cancer and birth defects or other reproductive harm. For more information go to www.P65warnings.ca.gov.

⚠ WARNING

Attention Installer: Any retrofit or other field modification to a fire rated opening can potentially impact the fire rating of the opening, and ASSA ABLOY makes no representations or warranties concerning what such impact may be in any specific situation. When retrofitting any portion of an existing fire-rated opening, or specifying and installing a new fire-rated opening, please consult with a code specialist or local code official (Authority Having Jurisdiction) to ensure compliance with all applicable codes and ratings.

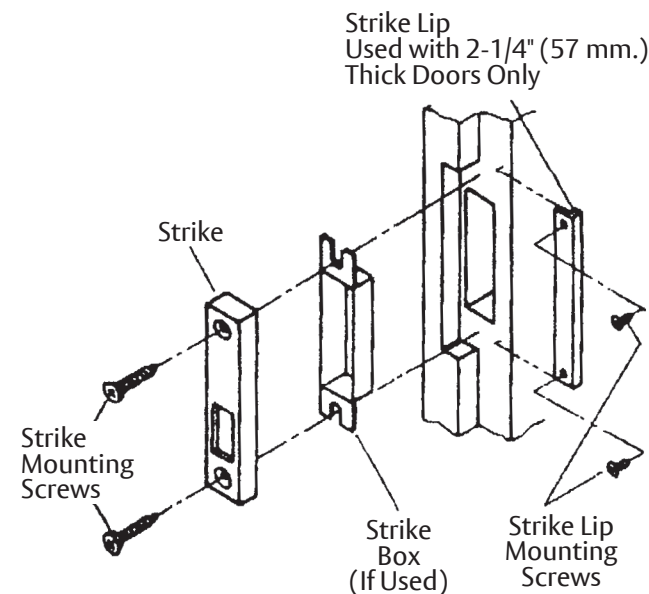
Active Door (Lock)

1. Adjust lock front to be perpendicular to lock body. (Fig 1.)
2. prepare mounting holes for Front Strip. Use Front Strip as template. Front Strip must be flush with the edge of the rabbet.
3. Install Front Strip into the mortise cutout.
4. Install lock body using installation instructions packed with lock.



Inactive Door (Strike)

1. Prepare mounting holes for strike. Use strike as template. Strike is flush with front edge of rabbet. **Note:** Centerline of strike is 3/8" (10 mm.) above centerline of Lock Front. For 2-1/4" (57 mm.) Doors prepare mounting holes for surface mounted Strike Lip.
2. Insert Strike Box into cutout if used. Install strike and Strike Lip.



Experience a safer and more open world

Copyright © 1982, 2024, ASSA ABLOY Access and Egress Hardware Group, Inc. All rights reserved. Reproduction in whole or in part without the express written permission of ASSA ABLOY Access and Egress Hardware Group, Inc. is prohibited.

Rabbeted Door Kits
239, 240, and 241 — 1-3/4" - 2" (45 - 50 mm.) Doors
242, 243, and 244 — 2-1/4" (57 mm.) Door
Installation Instructions

Instruction Number:
80-9086-0003-010
Sheet: 1 of 1
Date: 01/24

ASSA ABLOY

1-800-438-1951
www.assaabloy.com