



# 2500 Series

Architectural Door Closers

An ASSA ABLOY Group brand

**ACCENTRA**

**ASSA ABLOY**

ASSA ABLOY is transitioning the Yale Commercial brand to ACCENTRA. This affects only the brand name; the products and product numbers will remain unchanged. Prior to May 20, 2024, products may be shipped either as Yale Commercial brand or ACCENTRA brand. Products shipping after May 20, 2024, will be branded ACCENTRA.



## introduction

Yale® 2500 series architectural door closers are ideal for commercial applications where ease of use, installation and aesthetics are required at an economical price.

The 2500 series features rugged construction, adjustments for backcheck, closing and latch speed, rack and pinion operation and a variety of arm options.

## features

- 2501 door closers are adjustable spring sizes 1 through 6
- Non-handed
- Aluminum
- Tri-packed: regular, parallel or top jamb mounting
- Adjustable backcheck valve
- Adjustable closing speed valve
- Adjustable latching speed valve
- Full cover
- Spring power adjustment - adjust with 8mm socket or adjustable wrench
- Heavy-duty arms available: Parallel Rigid and Holder/Stop
- Hold-open models available
- Optional fasteners: Sleeve Nuts  
Through-Bolts & Grommet Nuts
- 5-year limited warranty

## contents

- Introduction . . . . . 2
- Features . . . . . 2
- Certifications . . . . . 2
- Door Closing Latching Cycle . . . . . 2
- Finishes . . . . . 2
- Applications . . . . . 3
- Parts . . . . . 4
- Accessories . . . . . 5
- How To Order . . . . . 6

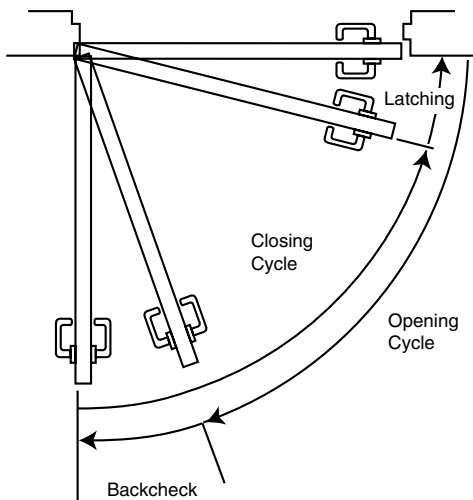
## finishes

ANSI/BHMA Code	Finish Description
689	Aluminum Painted
690	Dark Bronze Painted

## certifications

- UL and cUL listed
- Designed to meet requirements for ANSI/BHMA A156.4 Grade 1. Door closers meet handicapped requirements for interior doors.

## door closing latching cycle



## arms

### Non-Hold Open

Self-closes door every time door is opened. Auxiliary stop (by others) required except when using the Holder/Stop arm.

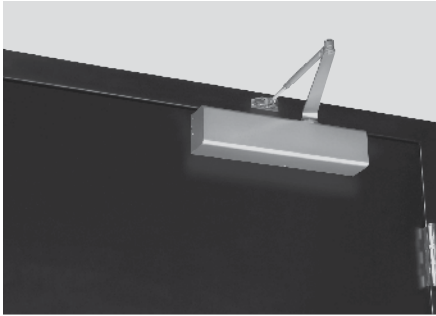
### Hold Open

Achieved by means of friction or ball and detent/ roller. Friction hold open has a range of 90° to 180° using template location and mechanical adjustment. Ball and detent or roller hold open is effective in a range of 85° to 110°.

Hold open arm door closers are not permitted to be used on fire door assemblies.

## applications

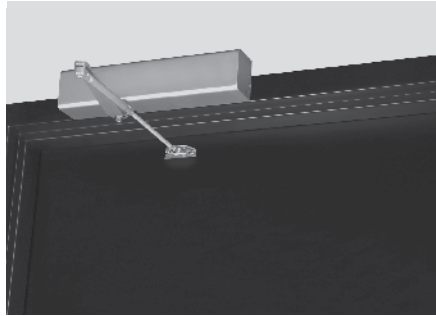
### regular arm



*Non-hold open arm shown, hold open application available.*

This is the only pull side application where a double lever arm is used. It is the most power-efficient application for a door closer. Sufficient frame, door and/or ceiling clearance must be considered. Since the arm assembly projects directly out from the frame, this application may present an aesthetics issue or be prone to vandalism.

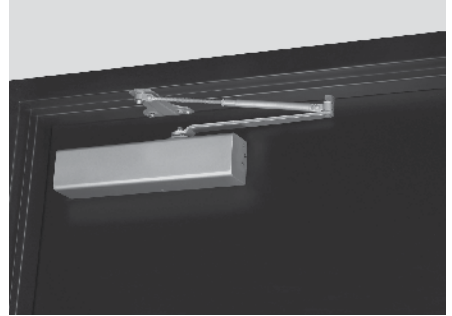
### top jamb



*Non-hold open arm shown, hold open application available.*

For efficiency reasons this application provides the best alternative to the regular arm application. There must be sufficient frame face and/or ceiling clearance for this application. It requires a top rail on the door of just 2-1/4" (57mm). This application provides the best door control for doors in exterior walls that swing out of a building. The entire door closer and arm assembly project from the frame, similar to the regular arm application, where matters of appearance and malicious abuse can be of concern. Consideration must be given to depth of reveal.

### parallel arm



*Non-hold open arm shown, hold open application available.*

This application provides the most appealing design appearance for a surface-mounted door closer having a double lever arm. This also makes it beneficial in vandalism-prone areas. It is on the push side of the door and the arm assembly extends almost parallel to the door. In the closed position, there is very little or no hardware projecting beyond the frame face in most situations. Due to the geometry of the arm it is approximately 25% less power-efficient than a regular arm application. The entire closer and arm assembly are mounted below the frame stop. Top rail clearance dimensions will vary based on the type of cover used.

### parallel rigid arm



*Non-hold open arm shown, hold open application available.*

An enhanced variation of the standard parallel arm assembly that is intended for use in heavy traffic areas where auxiliary door stops are installed. Hold open available — specify hand when ordering.

### holder/stop arm



*Hold open arm shown, non-hold open application available.*

Similar to the Parallel Rigid arm, this arm incorporates a stop at the arm's soffit plate to dead stop the door at a predetermined degree of door swing between 85° and 110°, in 5° increments. Prior to dead stop the door closer's backcheck feature slows the door speed to reduce the impact of the stop action.

The Holder/Stop arm is intended for use where an auxiliary door stop cannot be utilized and no more than moderate abuse is anticipated. Available with or without hold open. (Hold open strength is adjustable.)

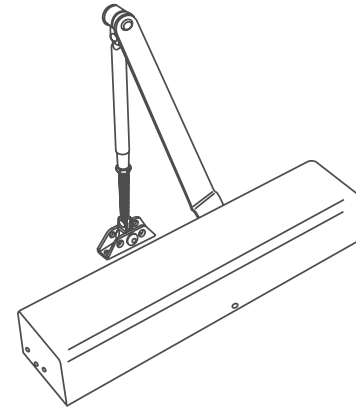


## model/part numbers

Complete Units	
Model Number	Description
2501	Tri-pack, non-hold open
2511	Tri-pack, hold open
PR2501	Parallel rigid arm, non-hold open
PR2511	Parallel rigid arm, hold open (specify hand)
2521	Stop only arm, non-hold open
2521T	Holder/stop thumbturn arm, hold open

See page 6 for more how to order info.

Arm Packages*	
Part Number	Description
2500-1	Tri-pack, non-hold open
2500-3	Tri-pack, hold open
PR2500-5	Parallel rigid arm, non-hold open
PR2500-8R	Parallel rigid arm hold open, right hand
PR2500-8L	Parallel rigid arm hold open, left hand
2520-5	Stop only arm assembly, non-hold open
2520T-8	Holder/stop thumbturn arm assembly, hold open
2520P	Hole plug
2520S	Removable stop



Miscellaneous Parts*	
Part Number	Description
2501LAP	Closer body
2500COV	Cover
2500SP	Screw pack

Optional Fasteners	
Part Number	Description
SN-134	Sleeve Nuts
TBGN134-38	Through-Bolts & Grommet Nuts

Note: Sleeve nuts furnished standard with parallel rigid and holder/stop arms.

Cover Dimensions		
Width	Length	Projection
2-7/8" (73mm)	13" (330mm)	2-1/8" (54mm)

\*specify finish when ordering

accessories

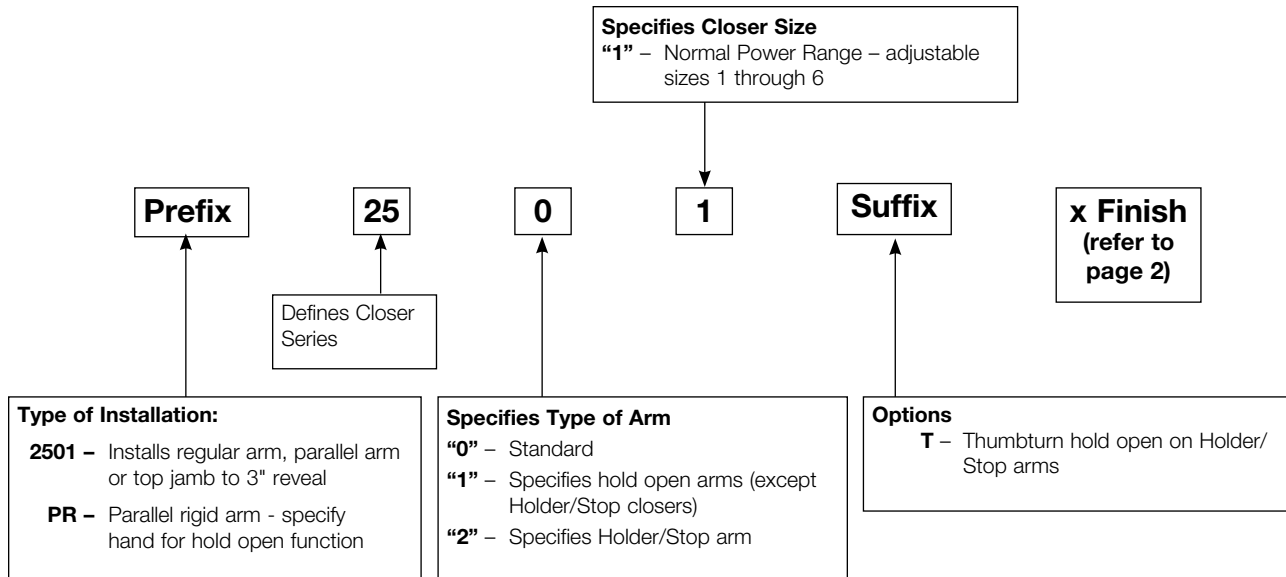
parallel rigid and holder/stop arms

<b>BRACKETS FOR NON-HOLD OPEN ARMS &amp; HOLD OPEN ARMS</b>	
	<p><b>Standard - #293S Spacer Block:</b> For use where a narrow frame soffit does not provide adequate support for the soffit plate. Supplied as standard with all parallel rigid arm closers.</p>
	<p><b>Flush Rabbeted Transom - #293L Angle Bracket:</b> For use where flush transom conditions prevent mounting of the standard soffit plate. This bracket is used in combination with the standard soffit plate.</p>
	<p><b>Narrow Frame - #890 Support Bracket:</b> For use where the frame is narrow and the soffit plate cannot be mounted directly to the frame soffit or rabbet. Used in combination with the #891 Spacer Block on blade stop frames to provide extra support and needed clearance of the blade stop. Used on frame where the frame doesn't exceed 5/8" (16mm) in height.</p>
	<p><b>Clearance/Support Blade Stop - #891 Spacer Block:</b> For use where the door frame has a blade stop and the soffit plate must be mounted on the frame rabbet. This accessory is used in combination with the standard spacer block to provide clearance of the blade stop. Also used with non-hold open arms.</p>
<b>CLOSER MOUNTING PLATES</b>	
	<p><b>Narrow Top Rail - #3148 Drop Plate:</b> For use where a narrow top rail prevents the closer from being mounted directly to the door surface. This drop plate can be used to mount a closer on a top rail as narrow as 2-7/16" (62mm) in height.</p>
	<p><b>Exposed Back/Narrow Top Rail - #3158 Molded Full Cover Drop Plate:</b> For use on doors with glass lights where a closer with molded full cover is installed and the back of the closer is exposed. This covers the back of the installation and gives a pleasing appearance from the reverse side.</p>

Note: All measurements are Inches/mm.



## how to order



### Notes:

- Warranty becomes void if door closer is installed on the exterior side of a door in the exterior wall of a building.
- It is strongly recommended, and required on fire door assemblies, that doors having a door closer be hung on ball bearing or anti-friction hinges or pivots; unless an alternate method is identified in the door manufacturer's listing.
- Failure to use the correct type and size fasteners may void factory warranty.
- Fasteners for fire/smoke door assemblies must conform to NFPA 80. In some applications additional fasteners may be mandated by NFPA 80 that are not shipped with standard Yale® product, such as sleeve-nuts/ sex-nuts or through-bolts and grommet nuts.
- Contact factory if door weight exceeds 250 lbs.

notes

---



## online literature and templates

---

For the latest information on Yale Locks & Hardware products, visit our website at: [www.yalelocks.com](http://www.yalelocks.com)

Click on the "Product Information" button to find:

- Catalogs
- Parts manuals
- Templates
- Specifications
- Installation instructions

Yale® customers can click on the ebusiness symbol  on the website to register for an ebusiness account to:

- Check the status of orders
- Check availability of Quick-Ship items
- Track your order and confirm delivery
- Receive email notification of template changes  
And More...

Or contact us at:

### U.S.A.

#### Yale Locks & Hardware

Address: 100 Yale Avenue, Lenoir City, TN 37771-3226  
Tel: 1-800-438-1951 • Fax: 1-800-338-0965 • [www.yalelocks.com](http://www.yalelocks.com)

### Canada:

#### ASSA ABLOY Door Security Solutions Canada

Address: 160 Four Valley Drive, Vaughan, Ontario L4K 4T9  
Tel: 1-800-461-3007 • Fax: 1-800-461-8989 • [www.assaabloy.ca](http://www.assaabloy.ca)

### International:

#### ASSA ABLOY Americas International

Tel: 1-905-821-7775 • Fax: 1-905-821-1429 • [www.assaabloyai.com](http://www.assaabloyai.com)

Yale Locks & Hardware is a division of Yale Security Inc., an ASSA ABLOY Group company.

Yale® is a registered trademark of Yale Security Inc., an ASSA ABLOY Group company. Other products' brand names may be trademarks or registered trademarks of their respective owners and are mentioned for reference purposes only. These materials are protected under U.S. copyright laws. All contents current at time of publication. Yale Security Inc. reserves the right to change availability of any item in this catalog, its design, construction, and/or its materials. Copyright © 2010, 2012, Yale Security Inc., an ASSA ABLOY Group company. All rights reserved. Reproduction in whole or in part without the express written permission of the Yale Security Inc., an ASSA ABLOY Group company, is prohibited.

**YALE**, with its unique global reach and range of products, is the world's favorite lock.

**ASSA ABLOY** is the global leader in door opening solutions, dedicated to satisfying end-user needs for security, safety and convenience.

42705-2/12R