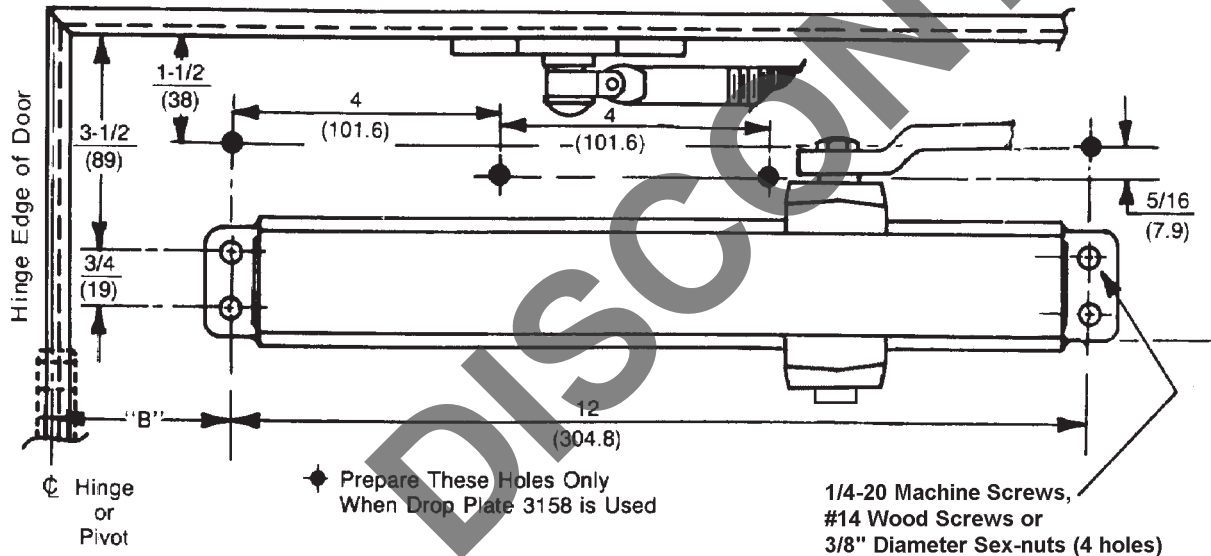
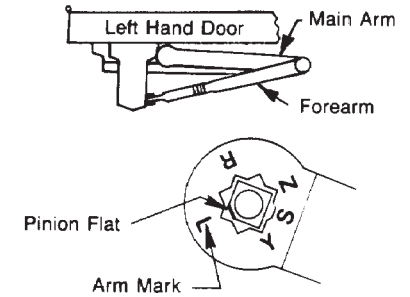
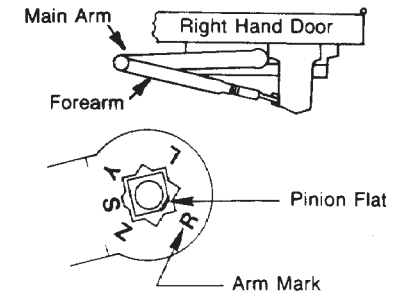


| Opening | Dimension "A" | | Dimension "B" | |
|------------|---------------|-----|---------------|----|
| | inches | mm | inches | mm |
| To 120° | 9-1/2 | 241 | 3-3/4 | 95 |
| Over 120°* | 7 | 178 | 1-1/4 | 32 |

* Door openings to 180° conditions permitting



Position of Arm Mark and Pinion Flat



- Do not scale drawing.
- Left hand door shown.
- Dimensions are in inches (mm)
- Hollow metal doors require channel or box type reinforcement when thru bolt mount is specified.
- Sex bolts may be required for wood or plastic faced fire door mounting.
- Minimum thickness recommended for reinforcements in hollow metal doors and frames: .1046" (2.66mm) unless otherwise noted.

**2501 Door Closer With or Without 3158 Drop Plate
Parallel Application With Non Hold Open Arm
Multi-size Units**

Yale 100 Yale Ave.
Lenoir City, TN 37771-3226
1-800-438-1951
www.yalelocks.com

TEMPLATE NUMBER **7325-0201** DATE **07-10**