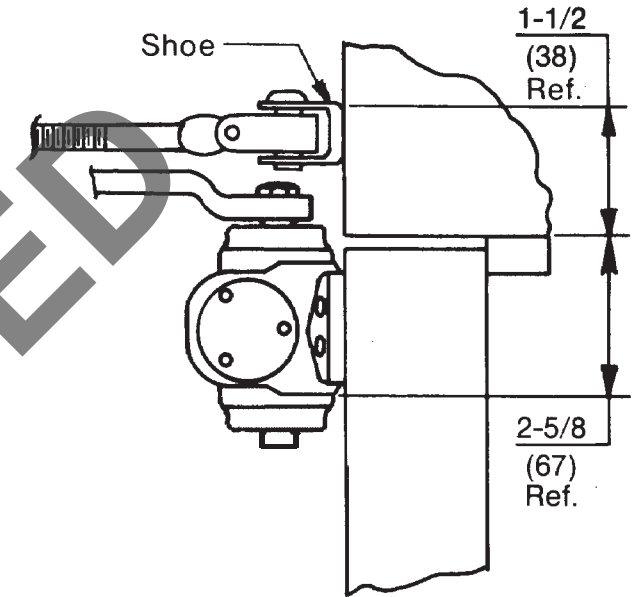


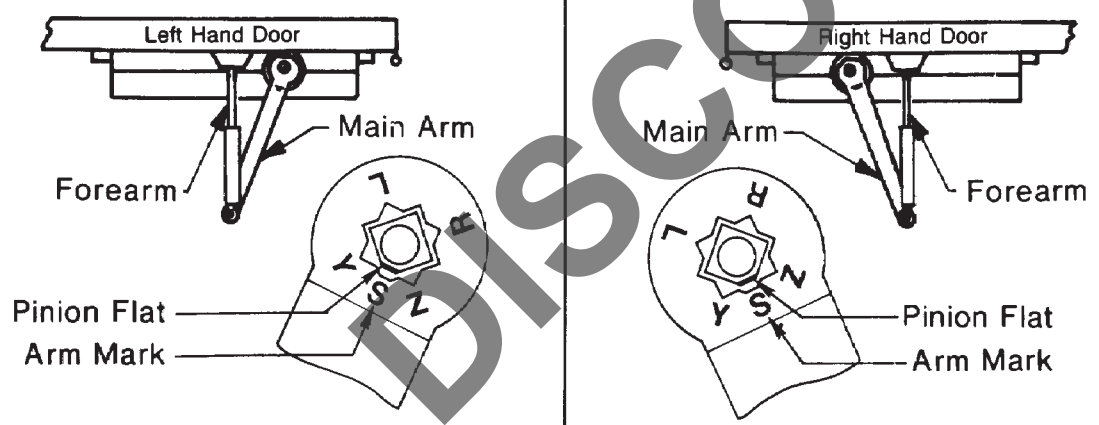
1/4-20 Machine Screws,
#14 Wood Screws or
3/8" Diameter Sex-nuts
(6 holes total)

Opening	Dimension "A"	
	inches	mm.
To 100°	7-1/2	191
101° to 130°	6	152
131° to 180°*	4-1/2	114

*Conditions Permitting



Position of Arm and Pinion Flat



- Do not scale drawing.
- Right hand door shown.
- Dimensions are in inches (mm.).
- Hollow metal doors require channel or box type reinforcement when thru bolt mount is specified.
- Sex bolts may be required for wood or plastic faced fire door mounting.
- Minimum thickness recommended for reinforcements in hollow metal doors and frames: .1046" (2.66 mm.) unless otherwise noted.

2501 Door Closer
Regular Application With Non Hold Open Arm
Multi-size Units

Yale 100 Yale Ave.
Lenoir City, TN 37771-3226
1-800-438-1951
www.yalelocks.com

TEMPLATE NUMBER	DATE
7325-0101	07-10