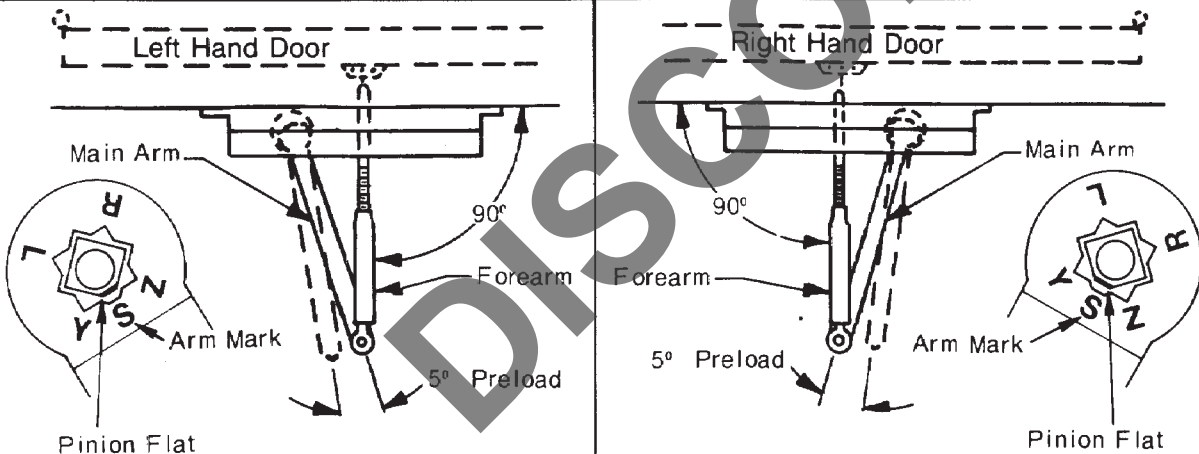


Position of Arm and Pinion Flat



- Do not scale drawing.
- Left hand door shown.
- Dimensions are in inches (mm.).
- Hollow metal doors require channel or box type reinforcement when thru bolt mount is specified.
- Sex bolts may be required for wood or plastic faced fire door mounting.
- Minimum thickness recommended for reinforcements in hollow metal doors and frames: .1046" (2.66 mm.) unless otherwise noted.
- Use regular length rod for reveals to 3" (76 mm.).

**2501 Door Closer
Top Jamb Application With Non Hold Open Arm
Multi-size Units**

Yale 100 Yale Ave.
Lenoir City, TN 37771-3226
1-800-438-1951
www.yalelocks.com

TEMPLATE NUMBER **7325-0150** DATE **07-10**