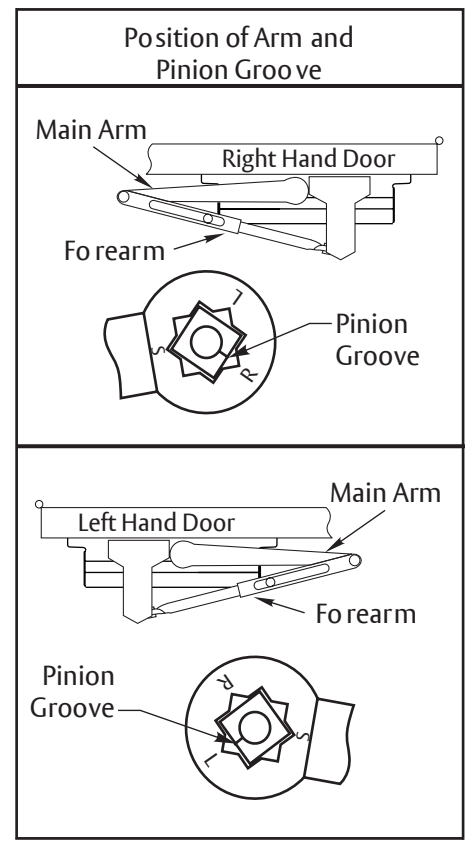
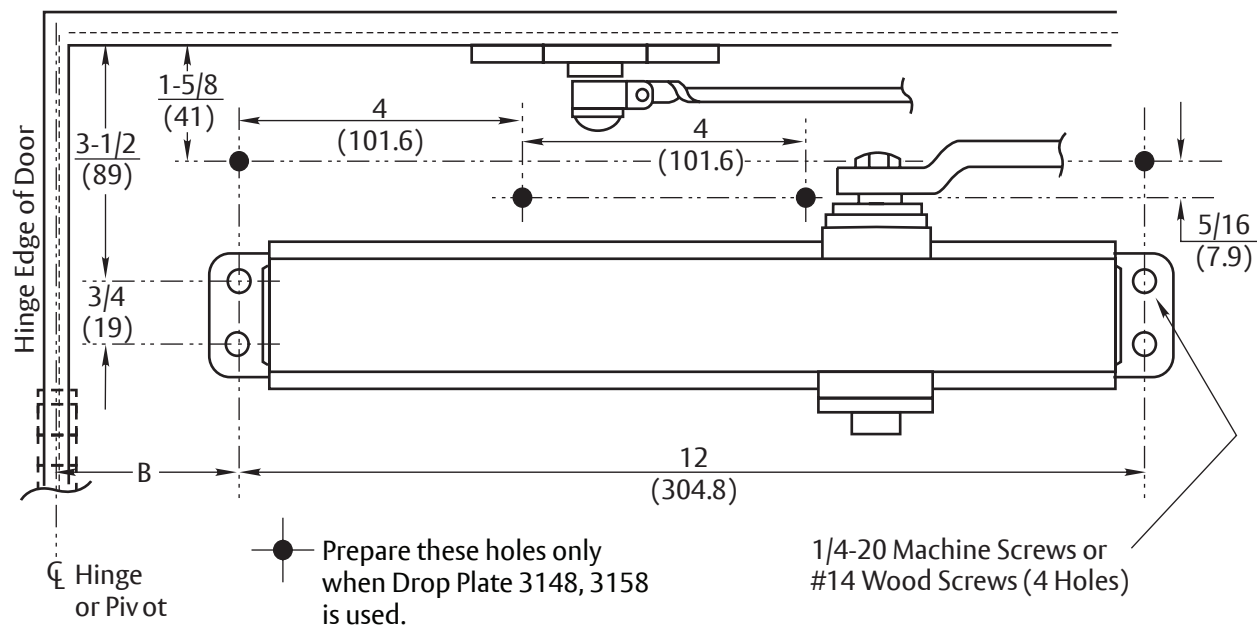


Opening	Dim. "A" inch (mm)	Dim. "B" inch (mm)
To 120°	9-1/2 (241)	3-3/4 (95)
Over 120°	7 (178)	1-1/4 (32)



- Do not scale drawing
- Left hand door shown
- Dimensions are in inches (mm).
- Hollow metal doors require channel or box type reinforcement when thru bolt mount is specified.
- Sex bolt required for wood or plastic faced fire door mounting.
- Minimum thickness recommended for reinforcements in hollow metal doors and frames: .1046 (2.66mm) unless otherwise noted.

Experience a safer and more open world

Copyright © 2012, 2024, ASSA ABLOY Access and Egress Hardware Group, Inc. All rights reserved. Reproduction in whole or in part without the express written permission of ASSA ABLOY Access and Egress Hardware Group, Inc. is prohibited.

2701 Non-Hold Open Door Closer
Parallel Arm Application
With or Without 3148 or 3158 Drop Plate

Template Number:
7327-0201
Sheet: 1 of 1
Date: 01/24

ASSA ABLOY

1-855-557-5078
www.assaabloy.com