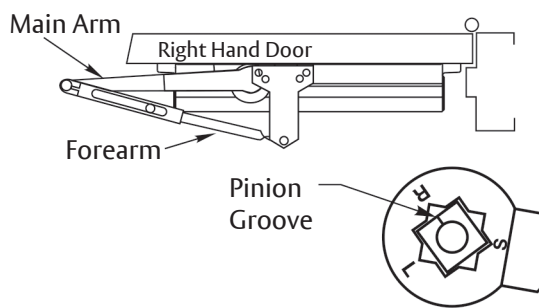
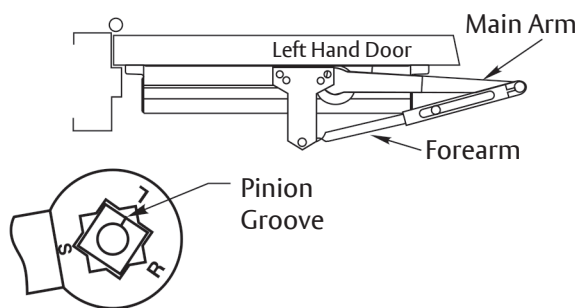


Opening	Dim. A	Dim. B
To 120°	9-5/8" (244)	3-3/4" (95)
Over 120°	7-1/8" (181)	1-1/4" (32)

**POSITION OF ARM AND PINION GROOVE**



**Notes:**

1. Do not scale drawing
2. Left hand door shown.
3. Dimensions: inches / (mm)
4. Hollow metal doors require channel or box type reinforcement when through bolt mount is specified.
5. Sex bolt required on wood or plastic faced fire door mounting.
6. Minimum thickness recommended for reinforcements in hollow metal doors and frames: .105 (2.66) unless otherwise noted.

Experience a safer  
and more open world

Copyright © 2012, 2023, ASSA ABLOY Access and Egress Hardware Group, Inc. All rights reserved. Reproduction in whole or in part without the express written permission of ASSA ABLOY Access and Egress Hardware Group, Inc. is prohibited.

2701 Non-Hold Open Door Closer  
Parallel Arm Application With 589L Bracket  
With or Without 3148 or 3158 Drop Plate

Template Number:  
7327-0203  
Sheet: 1 of 1  
Date: 12/23

**ASSA ABLOY**

1-800-438-1951  
www.assaabloy.com