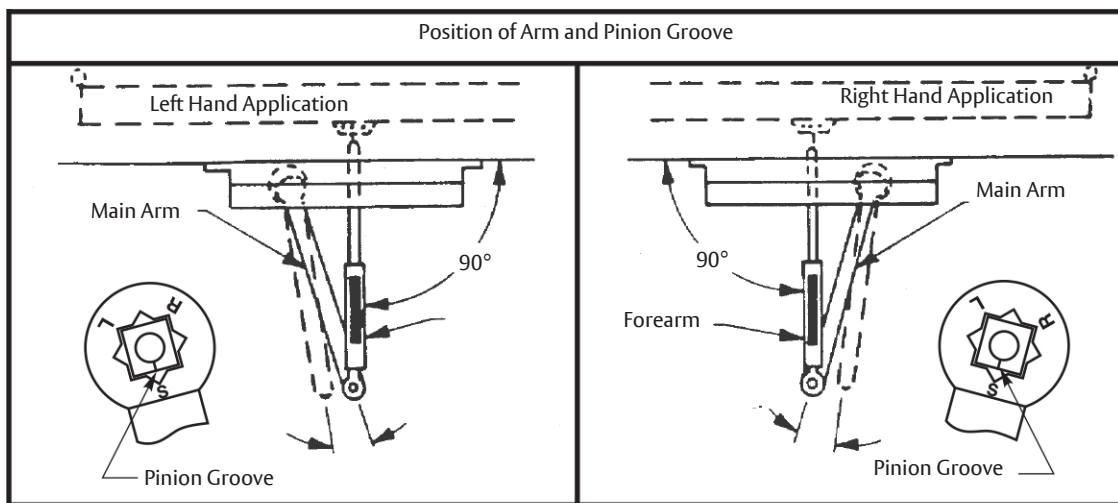


Position of Arm and Pinion Groove



- Do not scale drawing.
- Left hand door shown.
- Dimensions are in inches (mm) unless otherwise noted.
- Hollow metal doors require channel or box type reinforcement when thru bolt mount is specified.
- Sex bolts required for wood or plastic faced fire door mounting.
- Minimum thickness recommended for reinforcements in hollow metal doors and frames: .1046" (2.66mm) unless otherwise noted.

Experience a safer and more open world

Copyright © 2012, 2024, ASSA ABLOY Access and Egress Hardware Group, Inc. All rights reserved. Reproduction in whole or in part without the express written permission of ASSA ABLOY Access and Egress Hardware Group, Inc. is prohibited.

2701 Non-Hold Open Door Closer
Top Jamb Application With 3148 Drop Plate

Template Number:
7327-0154
Sheet: 1 of 1
Date: 01/24

ASSA ABLOY

1-855-557-5078
www.assaabloy.com