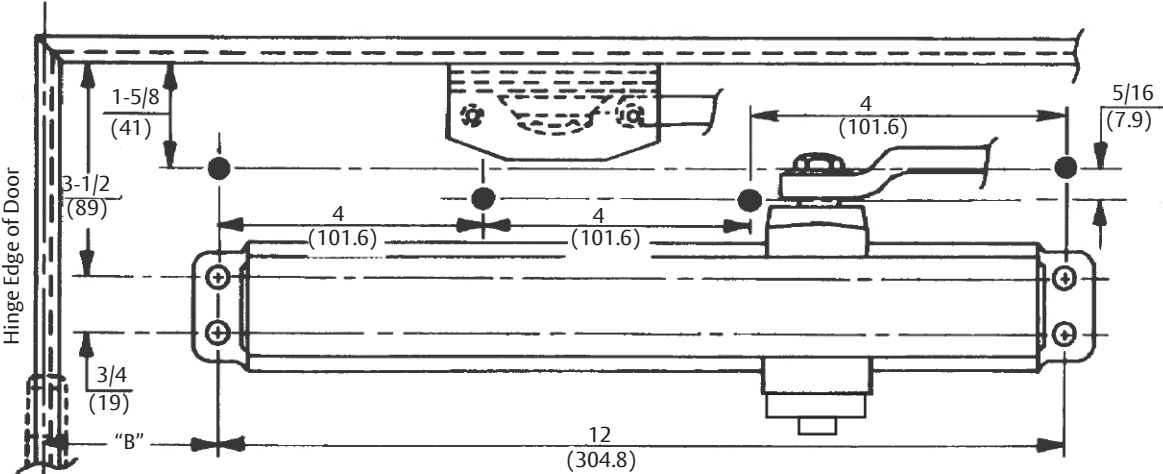
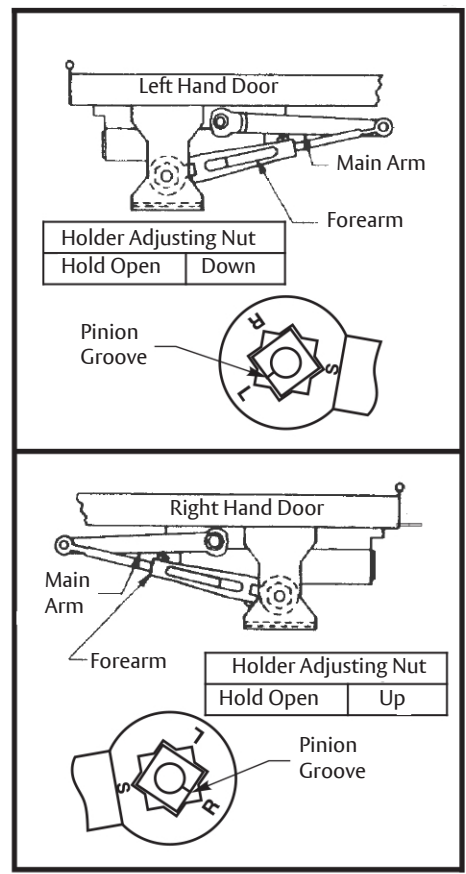


Opening	Dimension "A"		Dimension "B"	
	Inches	mm.	Inches	mm.
To 120°	9-1/2	241	3-3/4	95
Over 120°	7	178	1-1/4	32



☐ Hinge or Pivot

● Prepare these holes when 3148 or 3158 Drop plate is used.



- Do not scale drawing.
- Left hand door shown.
- Dimensions are in inches (mm) unless otherwise noted.
- Hollow metal doors require channel or box type reinforcement when thru bolt mount is specified.
- Six bolts required for wood or plastic faced fire door mounting.
- Minimum thickness recommended for reinforcements in hollow metal doors and frames: .1046" (2.66mm) unless otherwise noted.

Experience a safer and more open world

Copyright © 2012, 2024, ASSA ABLOY Access and Egress Hardware Group, Inc. All rights reserved. Reproduction in whole or in part without the express written permission of ASSA ABLOY Access and Egress Hardware Group, Inc. is prohibited.

2711 Hold Open Door Closer
Parallel Hold Open
With or Without 3148 or 3158 Drop Plate

Template Number:
7327-0211
Sheet: 1 of 1
Date: 01/24

ASSA ABLOY

1-855-557-5078
www.assaabloy.com