

Non Handed Door Closer - Adjustable Hold Open Arm

Regular Arm
Top Jamb Mount
Parallel Arm

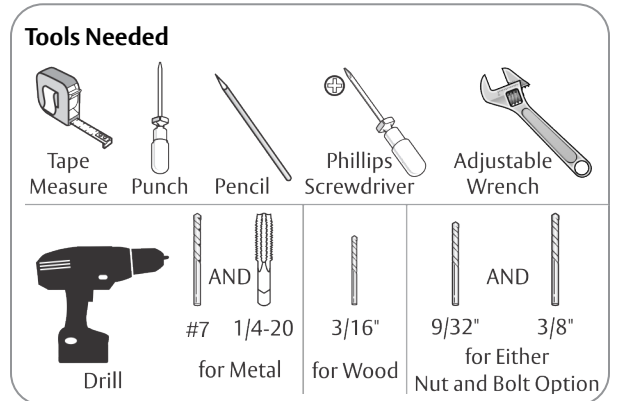
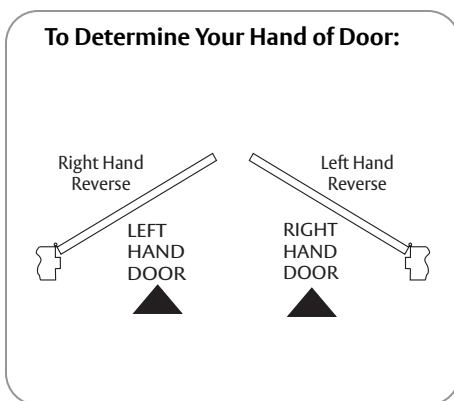
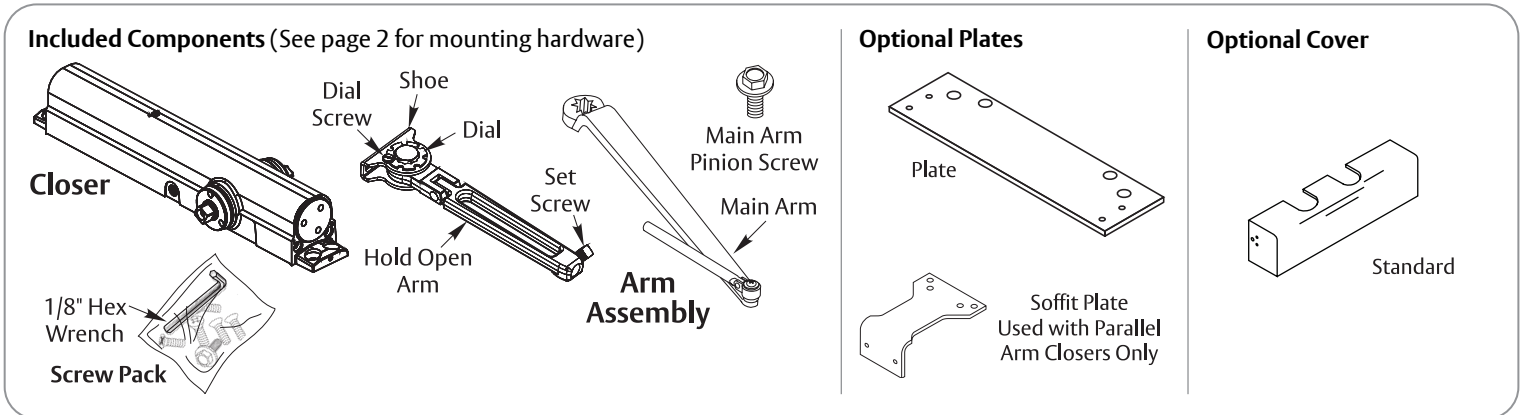
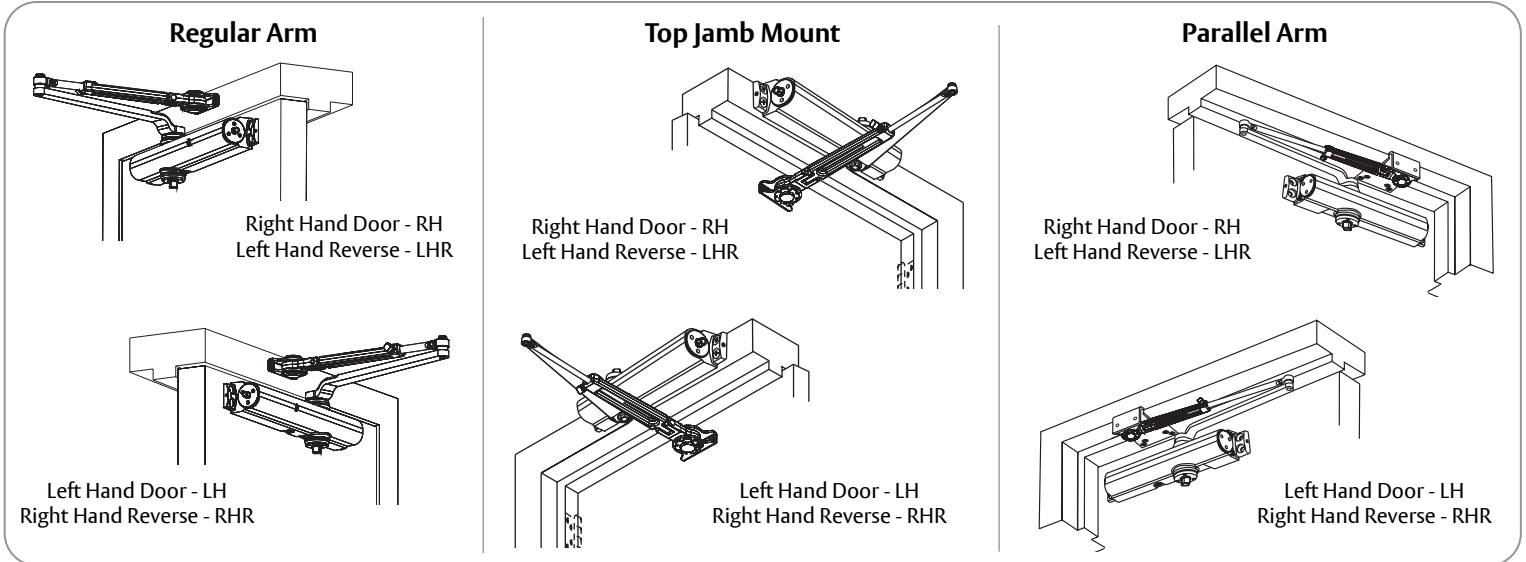


Installation Instructions

⚠️ WARNING

This product can expose you to lead which is known to the state of California to cause cancer and birth defects or other reproductive harm. For more information go to www.P65warnings.ca.gov.

Ce produit peut vous exposer au plomb qui, dans l'état de la Californie, est reconnu pour causer le cancer, des anomalies congénitales ou d'autres problèmes de reproduction. Pour plus d'informations, visitez: www.P65warnings.ca.gov.








Hold Open Closer

ATTENTION:

An incorrectly installed or improperly adjusted door closer can cause property damage or personal injury. These installation instructions should be followed to avoid the possibility of misapplication or misadjustment.

- For special applications, a separate door and frame preparation template is packed with these instructions. Use this instruction sheet for installation sequence and closer adjustments only.
- Doors should be hung on ball bearing or anti-friction hinges.
- A separate door stop is recommended.

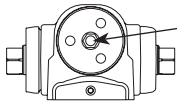
- Always consult door/frame manufacturer for fastener compatibility.
- Door and frame must be properly reinforced.
- Adjust closing time speed between 3 and 7 seconds from 90° to 0°. Greater closing times may be required for elderly or handicapped.
- These door closers should NOT be installed on exposed side (weather side) of exterior doors.
- Dimensions are given in inches (millimeters).

Mounting Hardware		Door or Frame	Drill
	Closer, H/O Shoe or Optional PA Bracket: 1/4-14 x 1-1/2 Oval Flat Head Mach. Screw	Wood	3/16" (4.76mm)
	Closer, H/O Shoe or Optional PA Bracket: 1/4-20 x 3/4 Oval Flat Head Mach. Screw	Metal	Drill #7 (.201 dia. or 5.10mm) Tap 1/4-20
	H/O Shoe to Optional PA Bracket: 1/4-20 x 1/2 Oval Flat Head Mach. Screw		
	Closer: Sleeve Nut and Bolt (SNB) (optional)	Hollow Metal	9/32" (7.00mm) thru 3/8" (9.50mm) door face opposite to closer
		Aluminum or Wood	3/8" (9.50mm) thru
	Closer: Thru Bolt and Grommet Nut (TBGN) (optional)	All	9/32" (7.00mm) thru 3/8" (9.50mm) dia. x 3/8" (9.500mm) deep, door face opposite to closer

Closer Adjustments




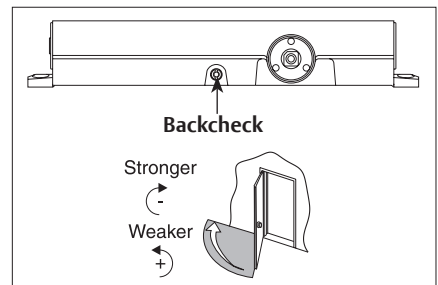
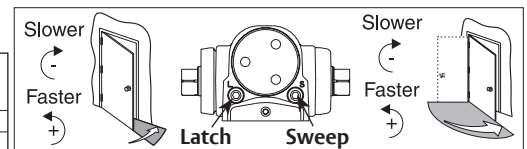
Use provided hex wrench to turn valves. NEVER force valves out of closer. NEVER completely close backcheck valve.



Door must be open to adjust spring closing power. Refer to chart. **Do not use a power drill. Warranty will be void.**

Spring Closing Power			Number of Turns Required			
DOOR	TYPE OF INST.	*	MAXIMUM DOOR SIZE			
			34" (0.85M)	36" (0.90M)	42" (1.05M)	48" (1.20M)
INTERIOR	Regular Arm Top Jamb	FULL 360° TURNS	5	8	11	13
	Parallel Arm		7	10	13	16
EXTERIOR	Regular Arm Top Jamb		7	10	13	16
	Parallel Arm		9	12	15	18

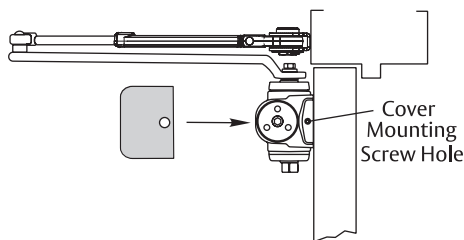
*20 FULL (360°) TURNS MAX. AVAILABLE  = 10 TURNS AS SHIPPED



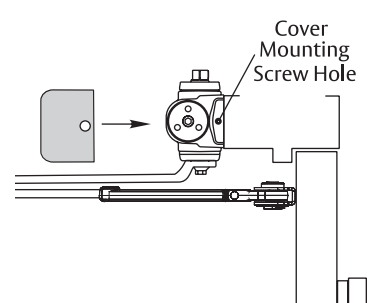
Cover



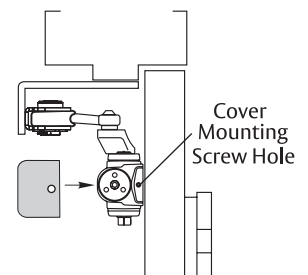
Do not over tighten cover screws.



Regular Arm



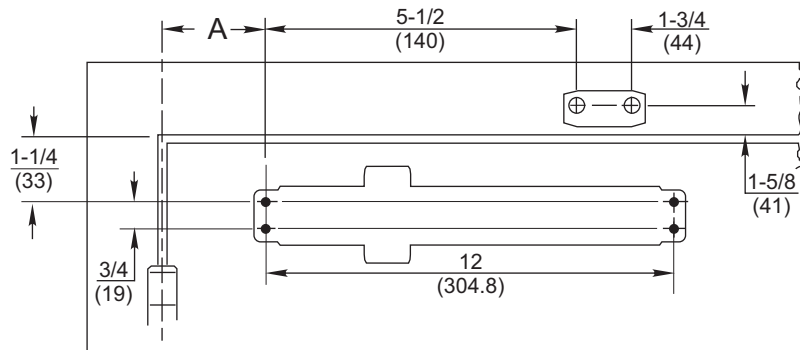
Top Jamb Mount



Parallel Arm

Regular Arm Installation (Right Hand Shown)

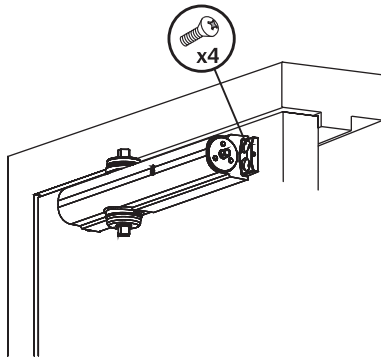
1. Prepare door and frame.



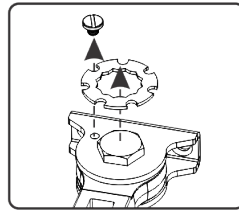
Opening	Dimension "A"
To 100°	7-1/2 (191)
101° to 130°	6 (152)
131° to *180°	4-1/2 (114)

*Door/Wall/Hardware/Jamb conditions permitting

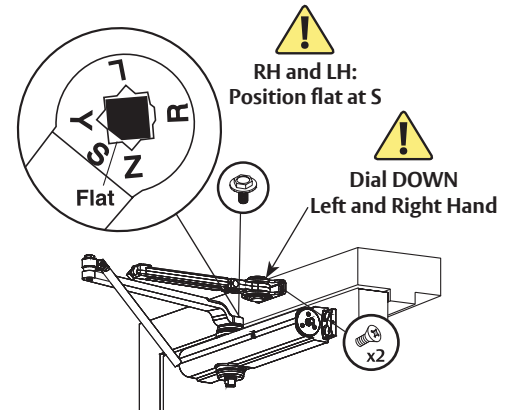
2. Mount closer to door.



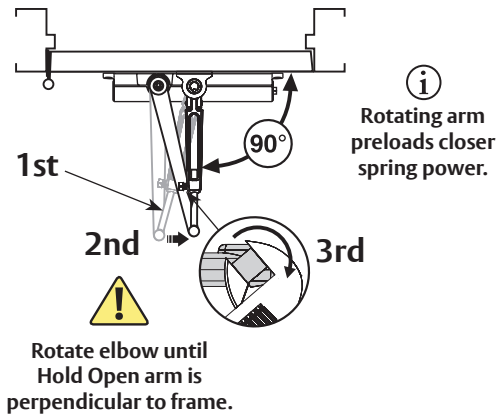
3a. Remove dial from Hold Open arm.



3b. Install separate arms.

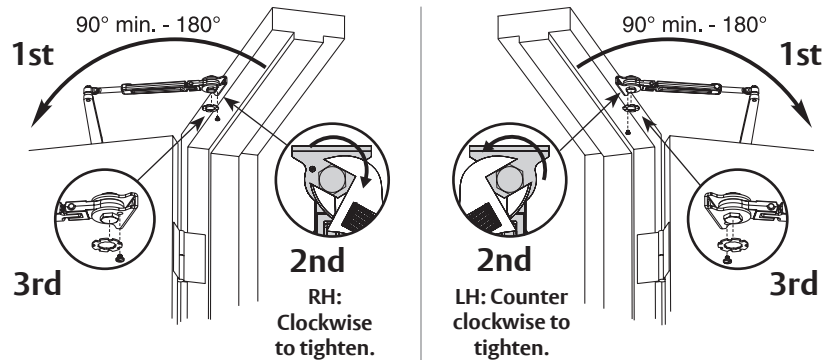


4. Connect arms, preload spring and tighten set screw.



5. Set Hold Open.

Keep door open in position until dial screw secures dial.

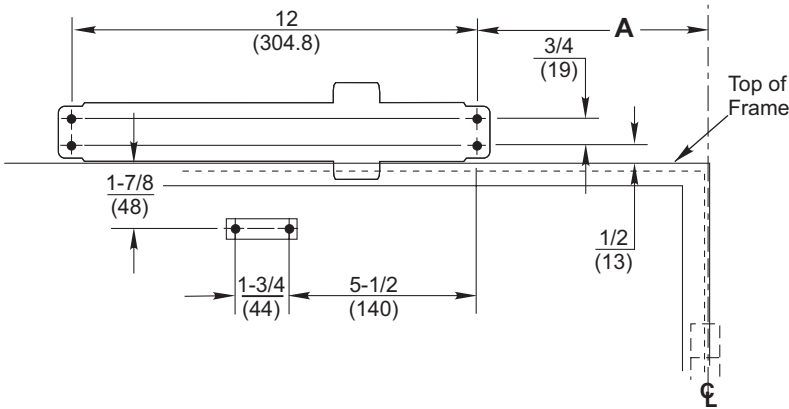


You've installed Hold Open Closer - Regular Arm.

Go to page 2 for closer adjustments and decorative cover installation.

Top Jamb Mount Installation (Right Hand Shown)

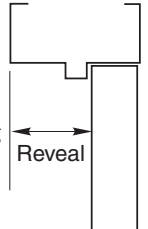
1. Prepare door and frame.



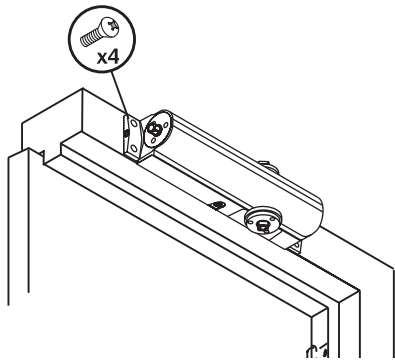
Opening	Dimension "A"
To 100°	7-1/2 (191)
101° to 130°	6 (152)
131° to *180°	4-1/2 (114)

* Door/Wall/Hardware/Jamb conditions permitting

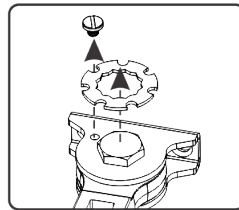
A longer connecting rod is required for reveals greater than 3" (76)



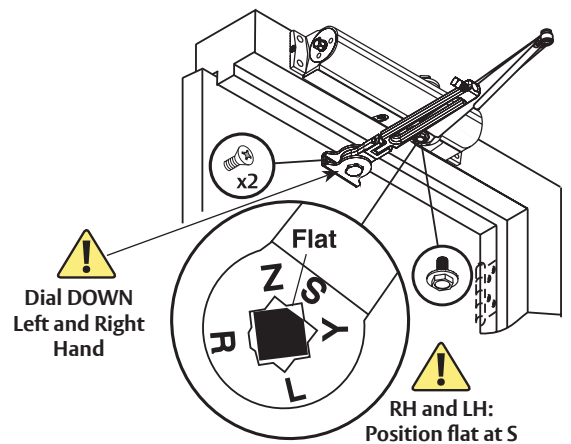
2. Mount closer to frame.



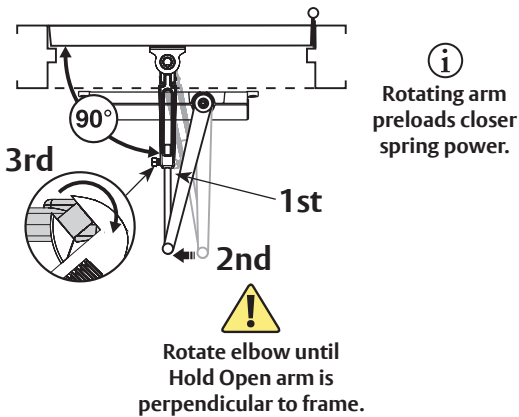
3a. Remove dial from Hold Open arm.



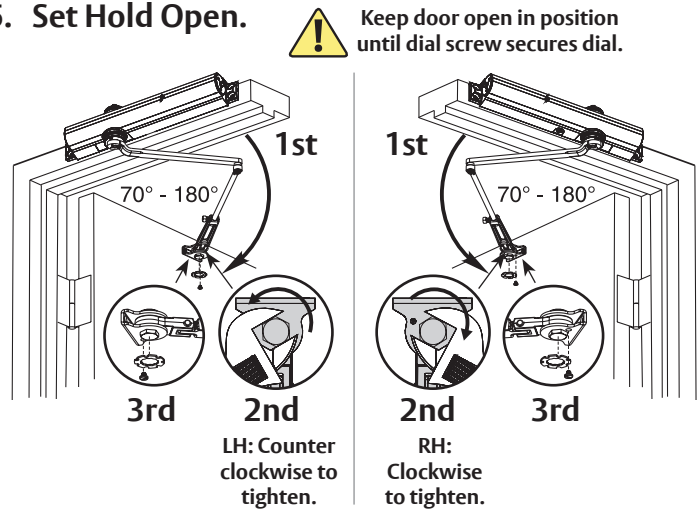
3b. Install separate arms.



4. Connect arms, preload spring and tighten set screw.



5. Set Hold Open.

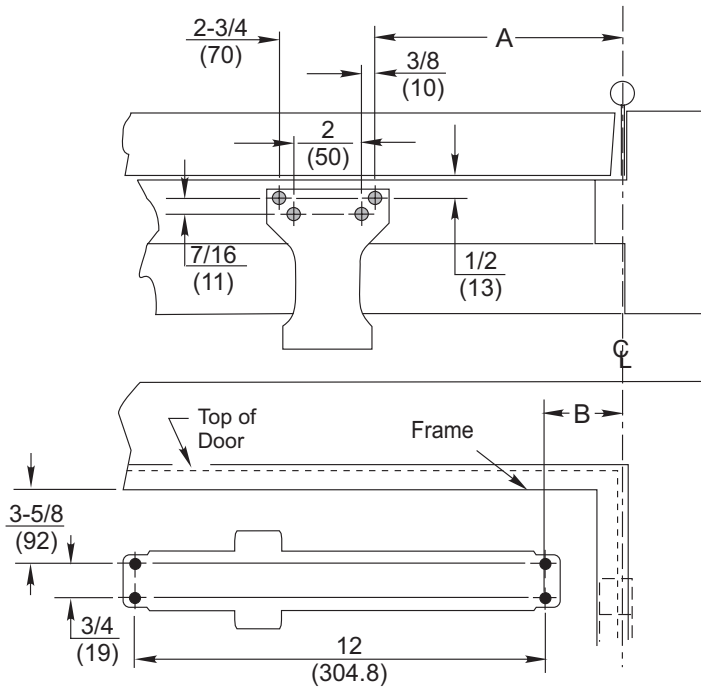


You've now installed **Hold Open Closer - Top Jamb Mount**.

● Go to page 2 for closer adjustments and decorative cover installation.

Parallel Arm Installation (Right Hand Shown)

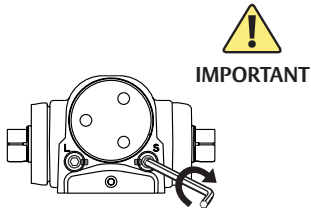
1. Prepare door and frame.



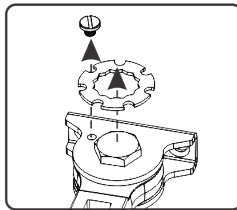
Door Opening	A	B
To 120°	9-1/2 (241)	3-3/4 (95)
*121° to 180°	7 (178)	1-1/4 (32)

* Door/Wall/Hardware/Jamb conditions permitting

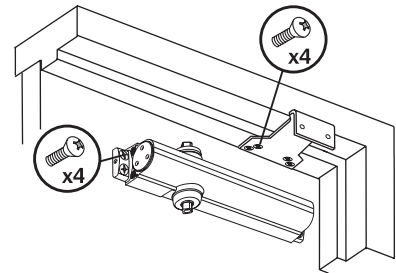
2. Close latch and sweep valves.



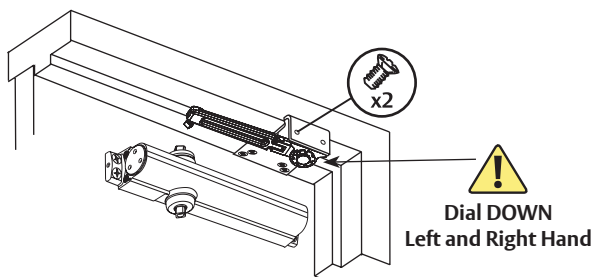
3. Remove dial from Hold Open arm.



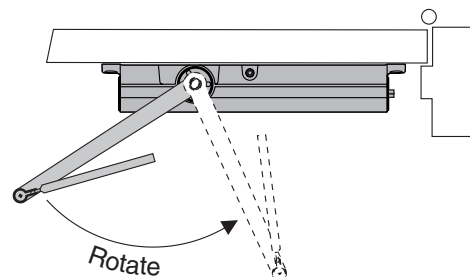
4. Install soffit plate and mount closer.



5. Install Hold Open arm to plate.

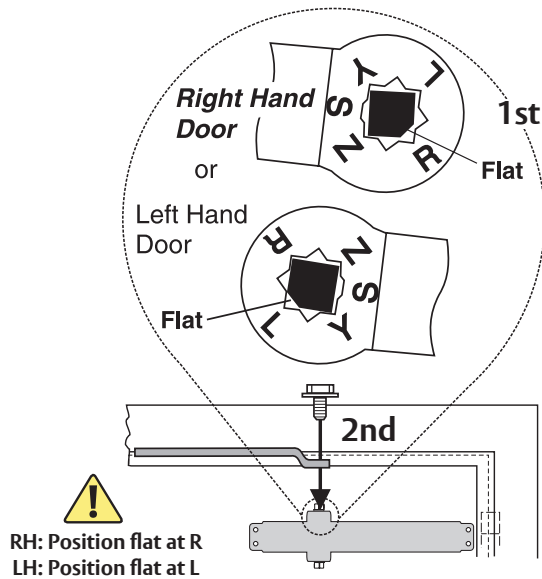


6. Place main arm on closer spindle and rotate.

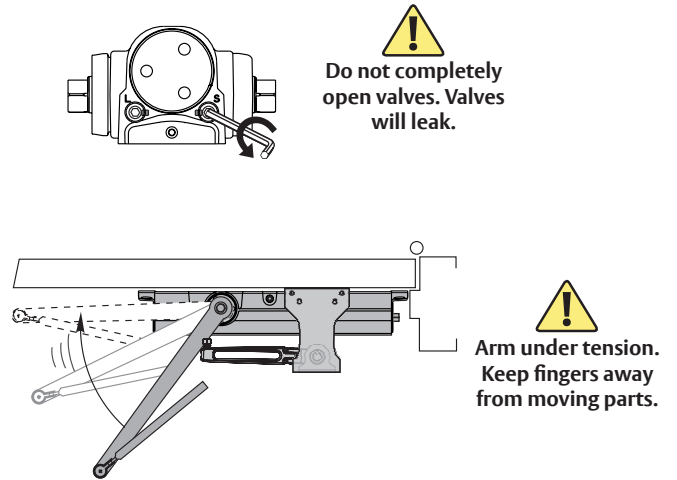


Parallel Arm Installation (Right Hand Shown) continued

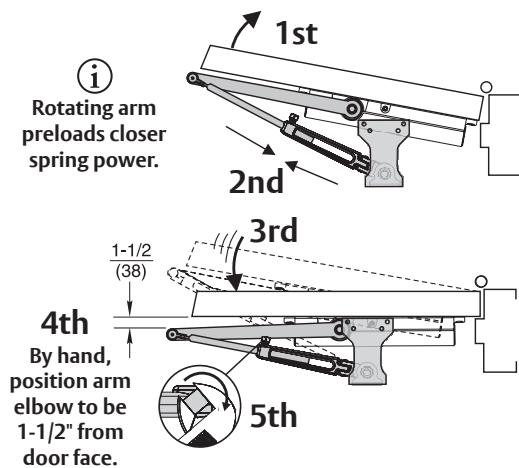
7. Remove arm and attach as shown.



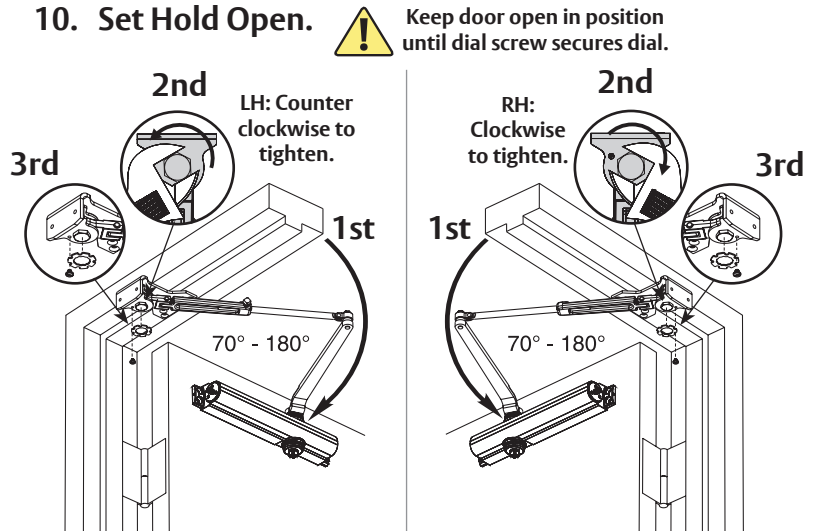
8. Open latch and sweep valves.



9. Connect arms, preload spring and tighten set screw.



10. Set Hold Open.



You've now installed **Hold Open Closer - Parallel Arm**.

● Go to page 2 for closer adjustments and decorative cover installation.