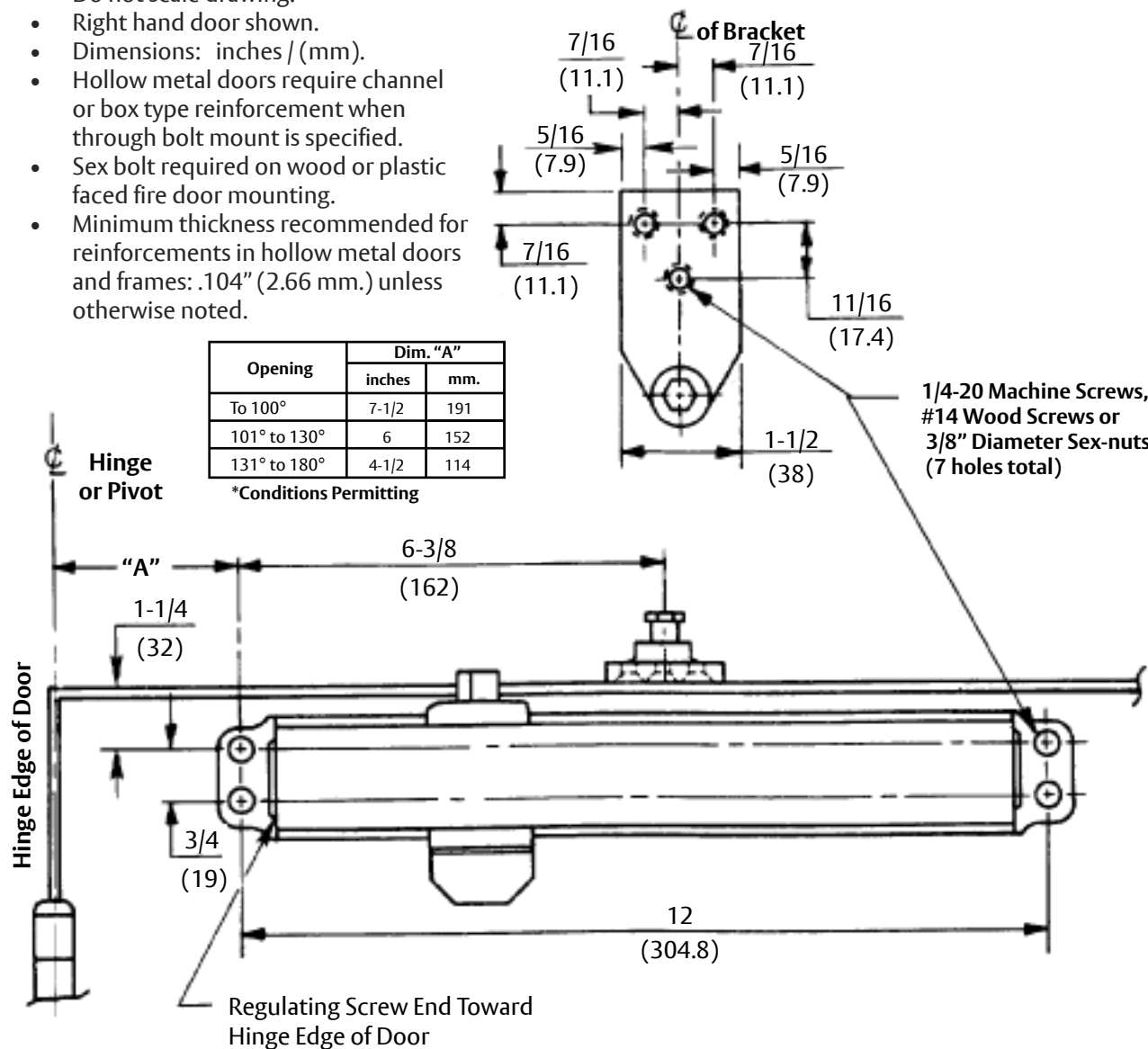


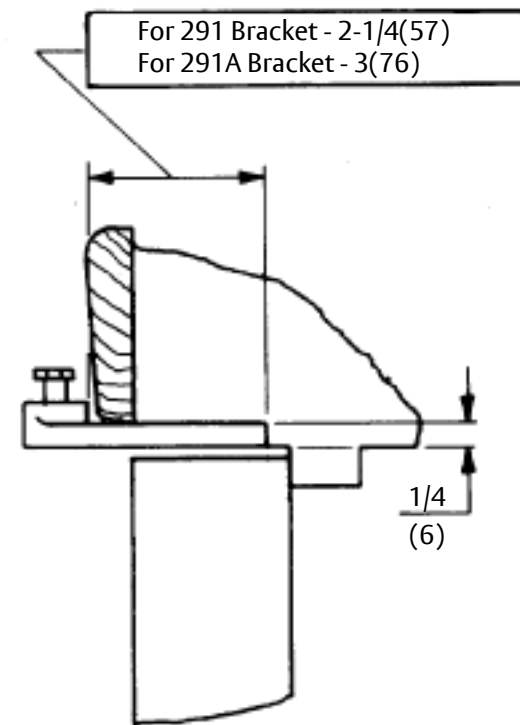
- Do not scale drawing.
- Right hand door shown.
- Dimensions: inches / (mm).
- Hollow metal doors require channel or box type reinforcement when through bolt mount is specified.
- Sex bolt required on wood or plastic faced fire door mounting.
- Minimum thickness recommended for reinforcements in hollow metal doors and frames: .104" (2.66 mm.) unless otherwise noted.

Opening	Dim. "A"	
	inches	mm.
To 100°	7-1/2	191
101° to 130°	6	152
131° to 180°	4-1/2	114

\*Conditions Permitting



Note: Bracket is Mortised Into Jamb as Shown



Experience a safer and more open world

Copyright © 2003, 2023, ASSA ABLOY Access and Egress Hardware Group, Inc. All rights reserved. Reproduction in whole or in part without the express written permission of ASSA ABLOY Access and Egress Hardware Group, Inc. is prohibited.

**3000 Series Closer with 291 or 291A Bracket for Bull Nose Trim Regular Non Hold Open Arm Application**  
 Series 3100, 3300, and 3500 Individually Sized Units 2 thru 6 and Multi-size Units 1 & 1BF

Template Number: 7303-0103  
 Sheet: 1 of 1  
 Date: 12/23

**ASSA ABLOY**

1-855-557-5078  
 www.assaabloy.com