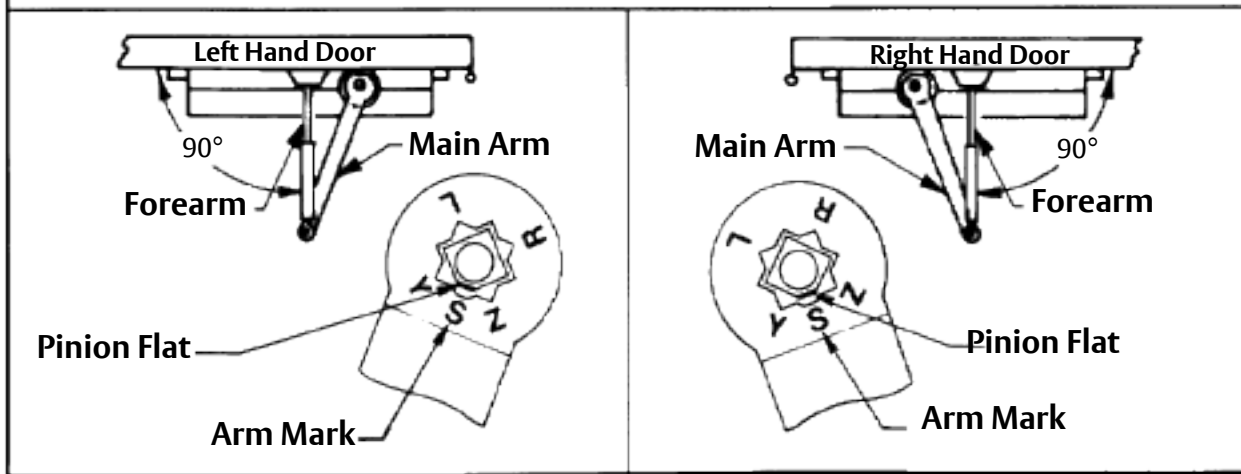


\*Conditions Permitting

Position Of Arm And Pinion Groove



- Do not scale drawing.
- Right hand door shown.
- Dimensions: inches / (mm).
- Hollow metal doors require channel or box type reinforcement when through bolt mount is specified.
- Sex bolt required on wood or plastic faced fire door mounting.
- Minimum thickness recommended for reinforcements in hollow metal doors and frames: .104" (2.66 mm.) unless otherwise noted.

Experience a safer and more open world

Copyright © 2003, 2023, ASSA ABLOY Access and Egress Hardware Group, Inc. All rights reserved. Reproduction in whole or in part without the express written permission of ASSA ABLOY Access and Egress Hardware Group, Inc. is prohibited.

**3000 Series Door Closer with 3146 Back Plate**  
Regular Non Hold Open Arm Application for Concealed Holder Clearance  
Series 3100, 3300, and 3500  
Individually Sized Units 2 thru 6 and Multi-size Units 1 & 1BF

Template Number: 7303-0102  
Sheet: 1 of 1  
Date: 12/23

**ASSA ABLOY**

1-855-557-5078  
www.assaabloy.com