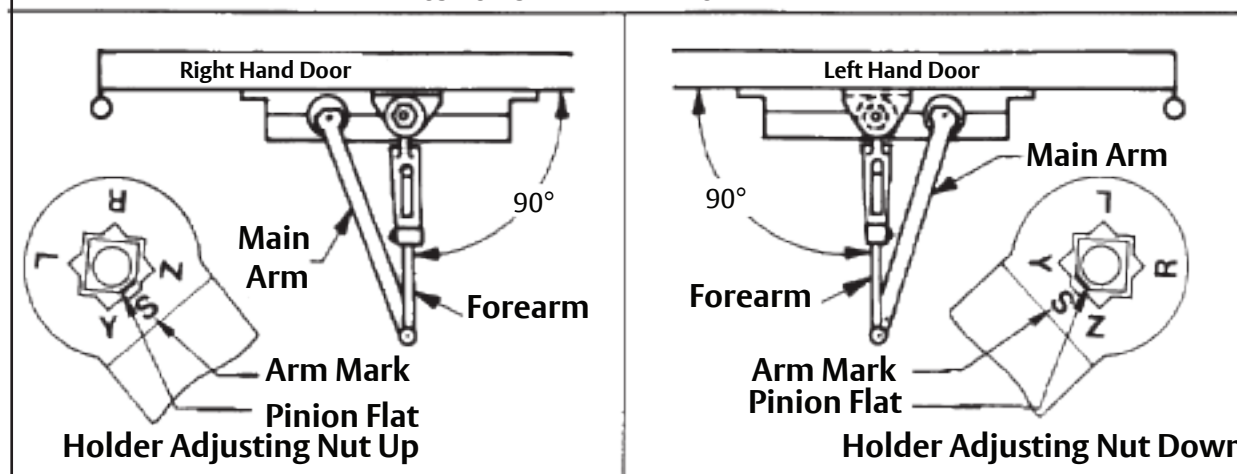


1/4-20 Machine Screws,
#14 Wood Screws or
3/8" Diameter Sex-nuts
(6 holes total)

Opening	Dim. "A"	
	inches	mm.
To 100°	7-1/2	191
101° to 130°	6	152
131° to 180°	4-1/2	114

*Conditions Permitting

Position Of Arm And Pinion Flat



- Do not scale drawing.
- Right hand door shown.
- Dimensions: inches / (mm).
- Hollow metal doors require channel or box type reinforcement when through bolt mount is specified.
- Minimum thickness recommended for reinforcements in hollow metal doors and frames: .104" (2.66 mm.) unless otherwise noted.
- Hold Open Arms are not permitted to be used on fire doors.

Experience a safer
and more open world

Copyright © 2017, 2023, ASSA ABLOY Access and Egress Hardware Group, Inc. All rights reserved. Reproduction in whole or in part without the express written permission of ASSA ABLOY Access and Egress Hardware Group, Inc. is prohibited.

3010 Series Door Closer
Regular Hold Open Arm Application
Series 3110, 3310, and 3510
Sized and Multi-size Units

Template Number:
7303-0105
Sheet: 1 of 1
Date: 12/23

ASSA ABLOY

1-855-557-5078
www.assaabloy.com