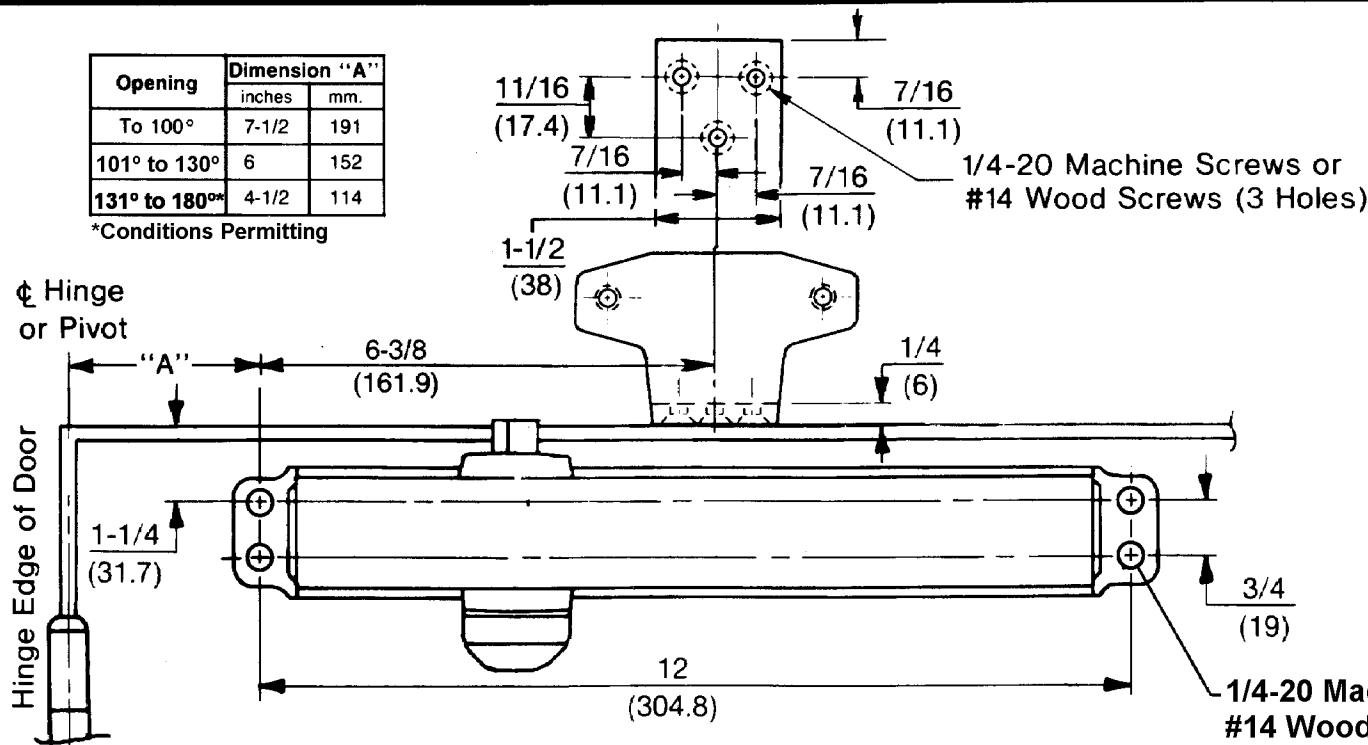
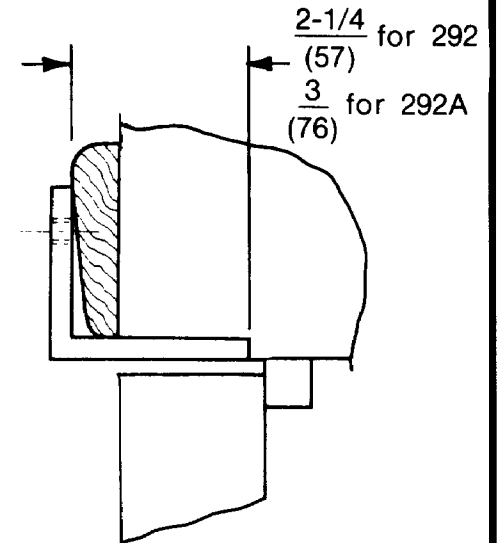


Opening	Dimension "A"	
	inches	mm.
To 100°	7-1/2	191
101° to 130°	6	152
131° to 180°*	4-1/2	114

*Conditions Permitting

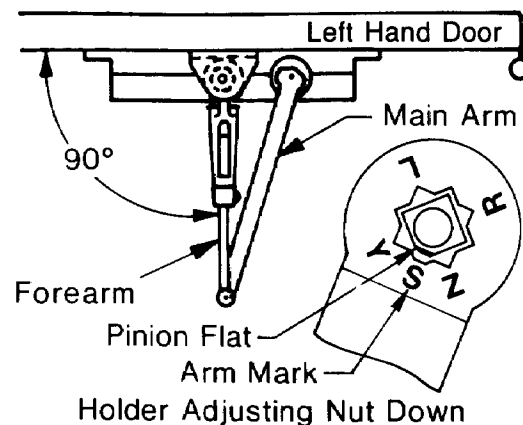
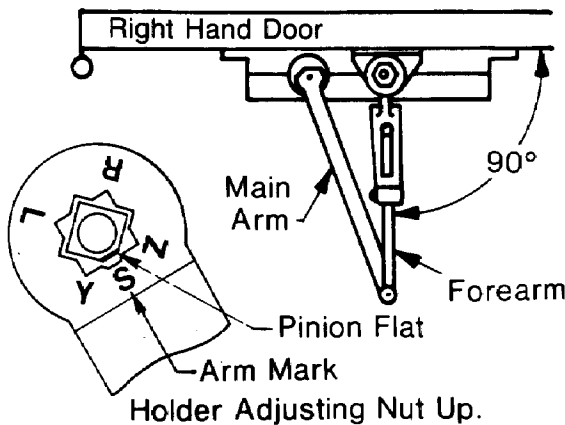


Note: Bracket is mortised into jamb as shown.



1/4-20 Machine Screws, #14 Wood Screws or 3/8" Diameter Sex-nuts (4 holes)

Position of Arm and Pinion Flat



- Do not scale drawing.
- Right hand door shown.
- Dimensions are in inches (mm.).
- Hollow metal doors require channel or box type reinforcement when thru bolt mount is specified.
- Minimum thickness recommended for reinforcements in hollow metal doors and frames: .1046" (2.66 mm.) unless otherwise noted.

3010 Series Door Closer with 292 or 292A Bracket for Bull Nose Trim
Regular Hold Open Arm Application
Series 3110, 3310, and 3510
Individually Sized Units 2 thru 6 and Multi-size Units 1 & 1BF

Yale

Yale Commercial Locks and Hardware

www.yalecommercial.com

TEMPLATE NUMBER

80-7303-0107-010

DATE

5-03