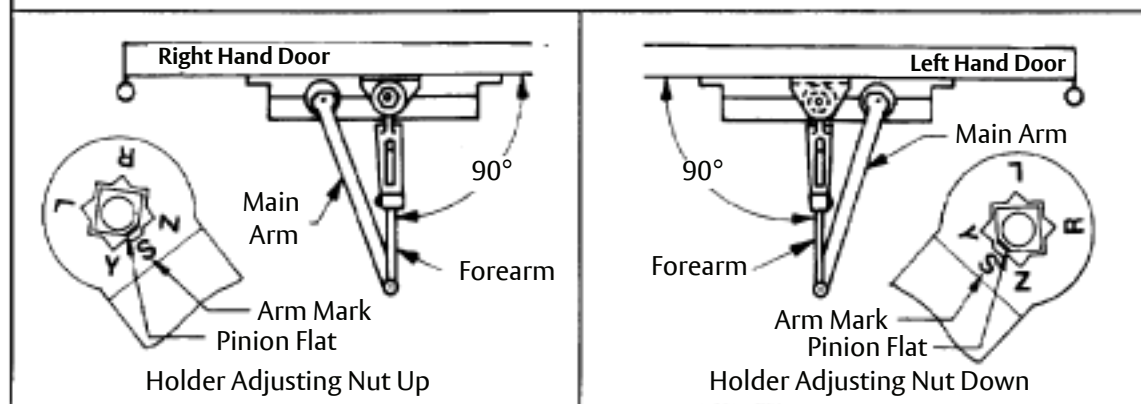


Position Of Arm And Pinion Flat



- Do not scale drawing.
- Right hand door shown.
- Dimensions: inches / (mm).
- Hollow metal doors require channel or box type reinforcement when through bolt mount is specified.
- Minimum thickness recommended for reinforcements in hollow metal doors and frames: .104" (2.66 mm.) unless otherwise noted.

Experience a safer
and more open world

Copyright © 2003, 2023, ASSA ABLOY Access and Egress Hardware Group, Inc. All rights reserved. Reproduction in whole or in part without the express written permission of ASSA ABLOY Access and Egress Hardware Group, Inc. is prohibited.

3010 Series Door Closer with 3146 Back Plate for 1-3/4 (44) Top Rail Regular Hold Open Arm Application
 Series 3110, 3310, and 3510
 Individually Sized Units 2 thru 6 and Multi-size Units 1 & 1BF

Template Number:
7303-0108
Sheet: 1 of 1
Date: 12/23

ASSA ABLOY

1-855-557-5078
www.assaabloy.com