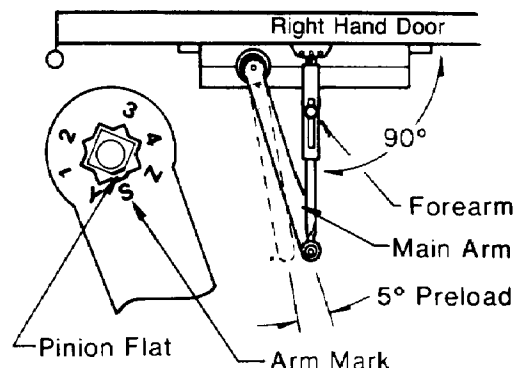
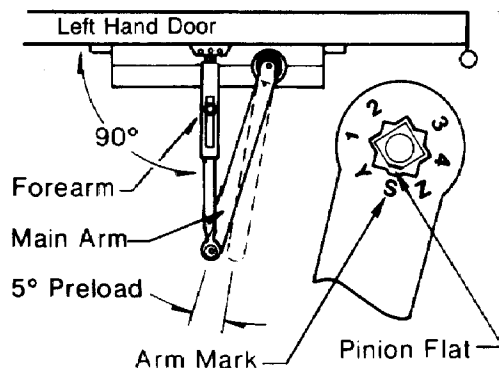


| Opening | Dimension "A" | |
|---------------|---------------|-----|
| | inches | mm. |
| To 100° | 7-1/2 | 191 |
| 101° to 130° | 6 | 152 |
| 131° to 180°* | 4-1/2 | 114 |

*Conditions Permitting

● Prepare These Holes Only When 3146 Back Plate is Used

Position of Arm and Pinion Flat



- Do not scale drawing.
- Right hand door shown.
- Dimensions are in inches (mm.).
- Hollow metal doors require channel or box type reinforcement when thru bolt mount is specified.
- Sex bolts may be required for wood or plastic faced fire door mounting.
- Minimum thickness recommended for reinforcements in hollow metal doors and frames: .1046" (2.66 mm.) unless otherwise noted.

3080 Series Door Closer
Regular Low Ceiling Arm Application with or without 3146 Back Plate
Series 3180, 3380, and 3580
Individually Sized Units 2 thru 6 and Multi-size Units 1 & 1BF

Yale
 Yale Commercial Locks and Hardware
 www.yalecommercial.com

| | |
|------------------|------|
| TEMPLATE NUMBER | DATE |
| 80-7303-0110-010 | 5-03 |