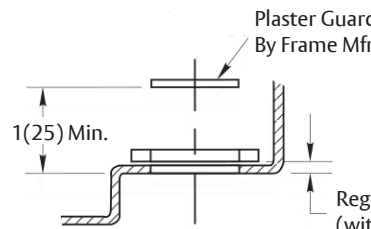


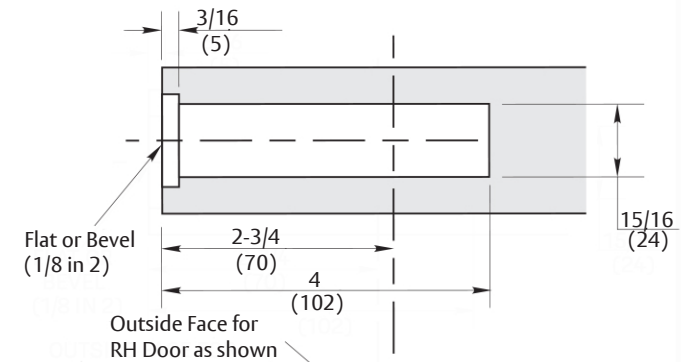
DO NOT SCALE

Lock	Holes in Door	
	Outside	Inside
351	Cylinder	Cylinder
352	Cylinder	Thumbturn
353	Cylinder	None
354	None	Thumbturn
356	Cylinder	Cylinder/Thumbturn
357	Cylinder	Thumbturn



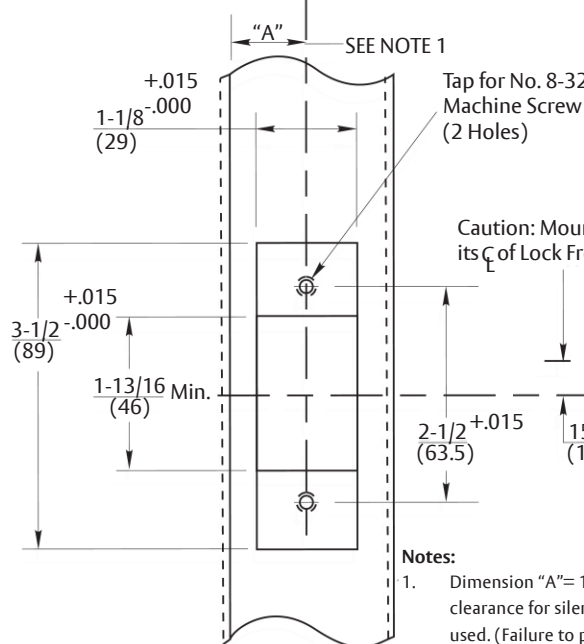
Regular -3/32 ± .005
(with Wrought Box -1/8 ± .005)

Common ζ of Lock & Strike



Flat or Bevel
(1/8 in 2)

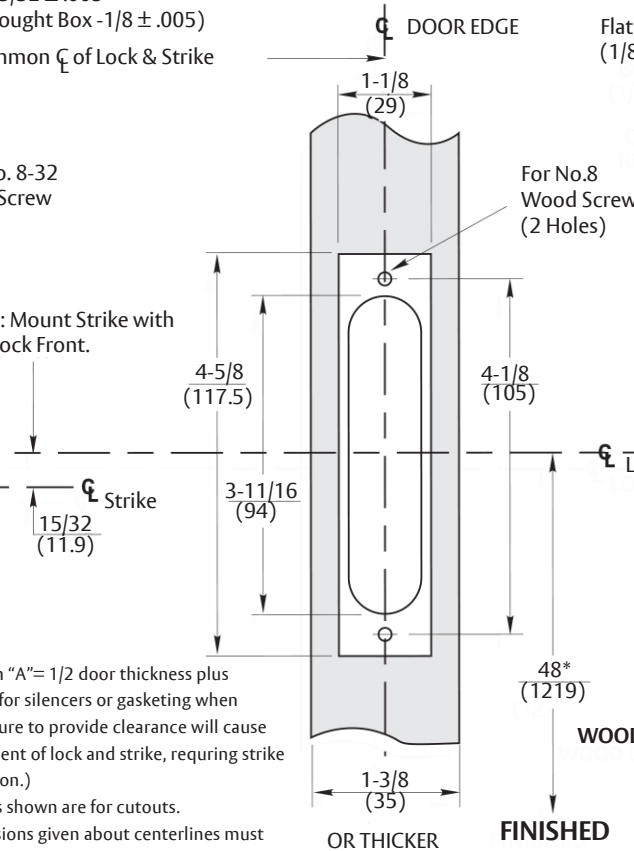
Outside Face for
RH Door as shown



H.M. FRAME

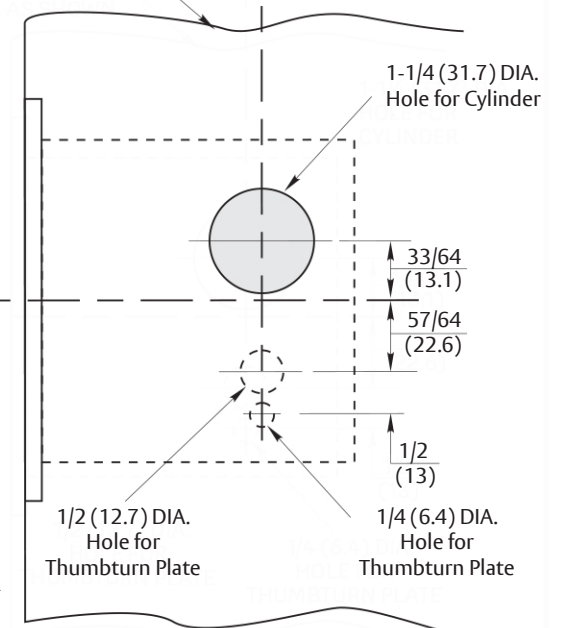
Notes:

1. Dimension "A" = 1/2 door thickness plus clearance for silencers or gasketing when used. (Failure to provide clearance will cause misalignment of lock and strike, requiring strike modification.)
2. Tolerances shown are for cutouts.
3. All dimensions given about centerlines must be central within tolerance unless otherwise specified.
4. Dimensions given in inches (mm).



OR THICKER

FINISHED FLOOR



*Recommended height to meet handicap code.

**Experience a safer
and more open world**

Copyright © 1991, 2023, ASSA ABLOY Access and Egress Hardware Group, Inc. All rights reserved. Reproduction in whole or in part without the express written permission of ASSA ABLOY Access and Egress Hardware Group, Inc. is prohibited.

**350 Series Mortise Deadlocks
2-3/4" Backset with Standard Strike
(ANSI/BHMA A156.115)
Wood Door and H.M. Frame Preparation**

Template Number:
7003-1008
Sheet: 1 of 1
Date: 12/23

ASSA ABLOY

1-855-557-5078
www.assaabloy.com