

356(F) & 358(F)

Series Trim

Installation Instructions

ACCENTRA

ASSA ABLOY

- Assemble trim. See other side for components and instructions.
NOTE: Device - Trim match in function Chart. (Over)
- After marking door inside face for device location (Device Instructions), carry "Vertical Reference Centerline" from inside door face. Follow steps 2a. And 2b. below.

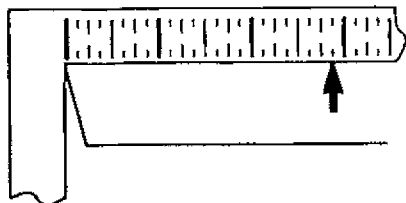
Cylinder locks/unlocks lever

F08 (as packed) key removable with trim locked or unlocked.

F09 (field conversion) key removable only when trim is locked.



2a. Measure inside line location.



2b. Carry dimension over to outside face.

- Carry Horizontal Reference Centerline from inside to outside door face.
- Align trim template and tape to door outside face.

⚠ Caution: Office copiers and facsimile machines may change the size of a drawing and make the template inaccurate to use as a door marker. If this is not the original template packed with the trim, use only the dimensions written on the template to locate the holes on the door (do not use the template as a door marker).

- Spot holes and prepare door for trim.
- Mount trim to door (Fig. 1). Fasten finger tight only with 2 or 3 screws (b) and washers (c), seated on door. Thread cylinder into lock until seated in cylinder ring recess and keyway is positioned as shown. Lock cylinder in place (cylinder set screw accessible thru lock front).
- Continue as shown in device instructions.

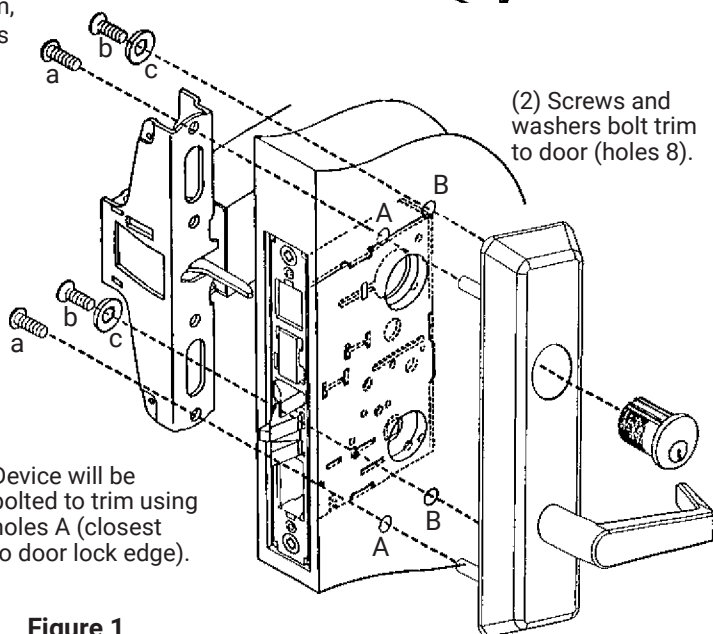
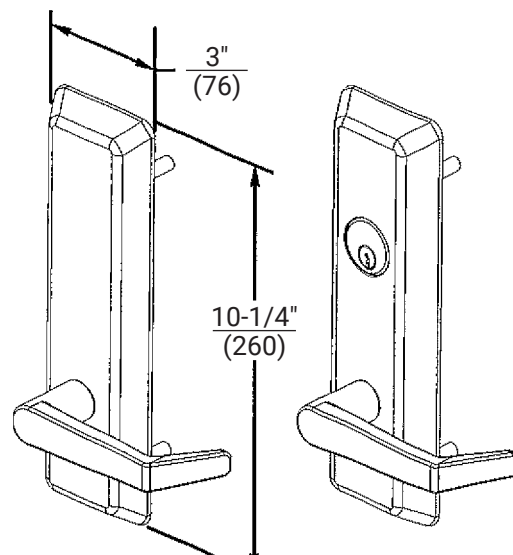


Figure 1

RHR Door Shown

⚠ WARNING

This product can expose you to lead which is known to the state of California to cause cancer and birth defects or other reproductive harm. For more information go to www.P65warnings.ca.gov.

⚠ WARNING

Attention Installer: Any retrofit or other field modification to a fire rated opening can potentially impact the fire rating of the opening, and ASSA ABLOY makes no representations or warranties concerning what such impact may be in any specific situation. When retrofitting any portion of an existing fire-rated opening, or specifying and installing a new fire-rated opening, please consult with a code specialist or local code official (Authority Having Jurisdiction) to ensure compliance with all applicable codes and ratings.

1-855-557-5078 Ext. 2 • www.accentra-assaabloy.com

80-8470-0356-000 04/24

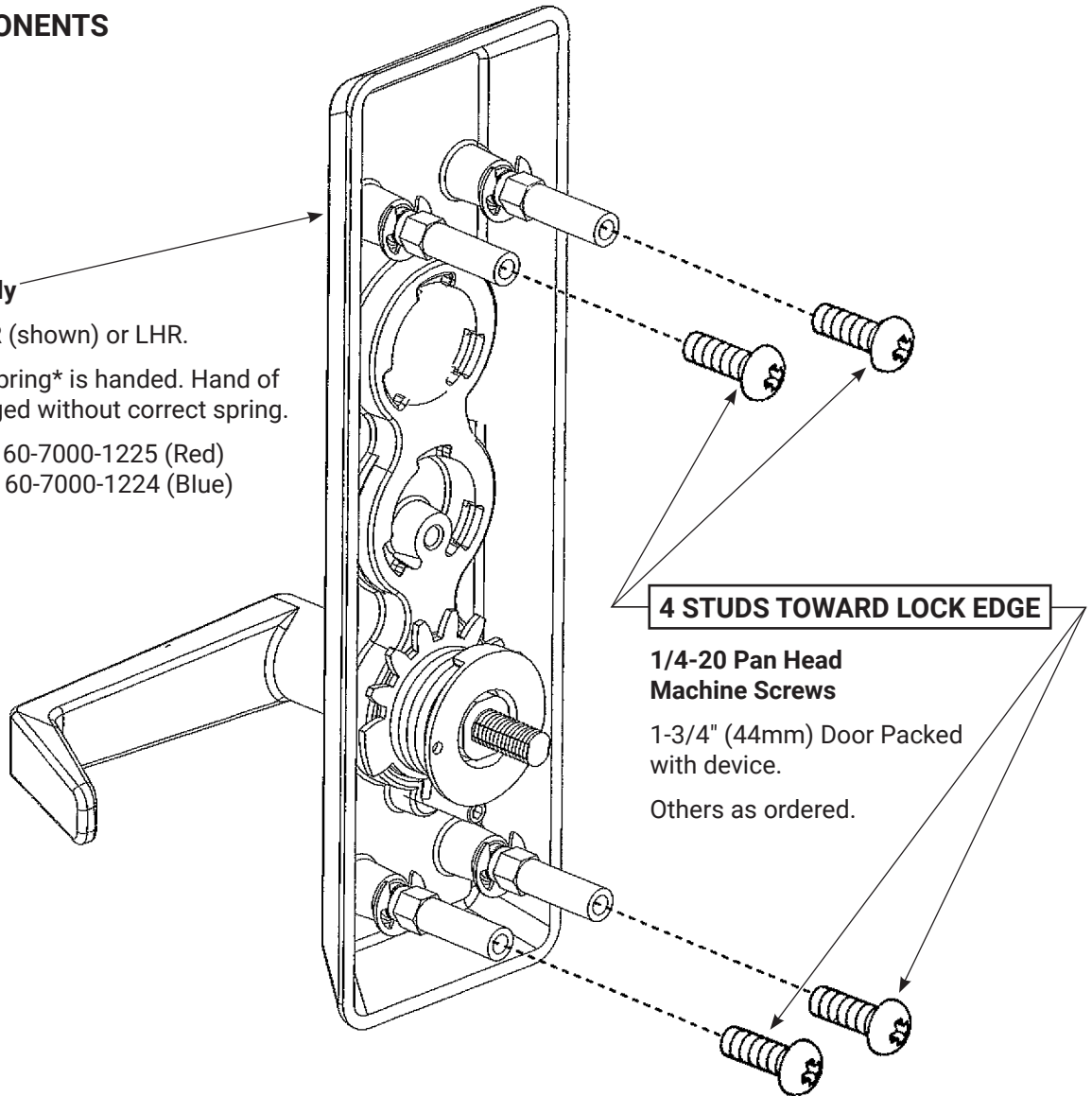
358(F) TRIM COMPONENTS

Escutcheon Assembly

Lever is handed, RHR (shown) or LHR.

Note: Lever Return Spring* is handed. Hand of trim cannot be changed without correct spring.

(*) LHR, part number 60-7000-1225 (Red)
RHR, part number 60-7000-1224 (Blue)



How Trim Is Used

The device mortise lock determines how the outside trim functions. Identify TRIM and DEVICE in the chart below. Verify that the combination permits the desired access function.

DEVICE	TRIM	FUNCTION		MORTISE LOCK
		ANSI	DESCRIPTION	
1530L5(F)	356(F)	F03	Key retracts latchbolt.	15L(F)
	358	F02	Pull to open (dogged device).	
	358(F)	—	Dummy trim (rigid lever).	
1530L8(F)	356(F)	F08	Key locks/unlocks lever.	18L(F)
	358(F)	—	Passage (lever always active).	

356 (F) & 358 (F)

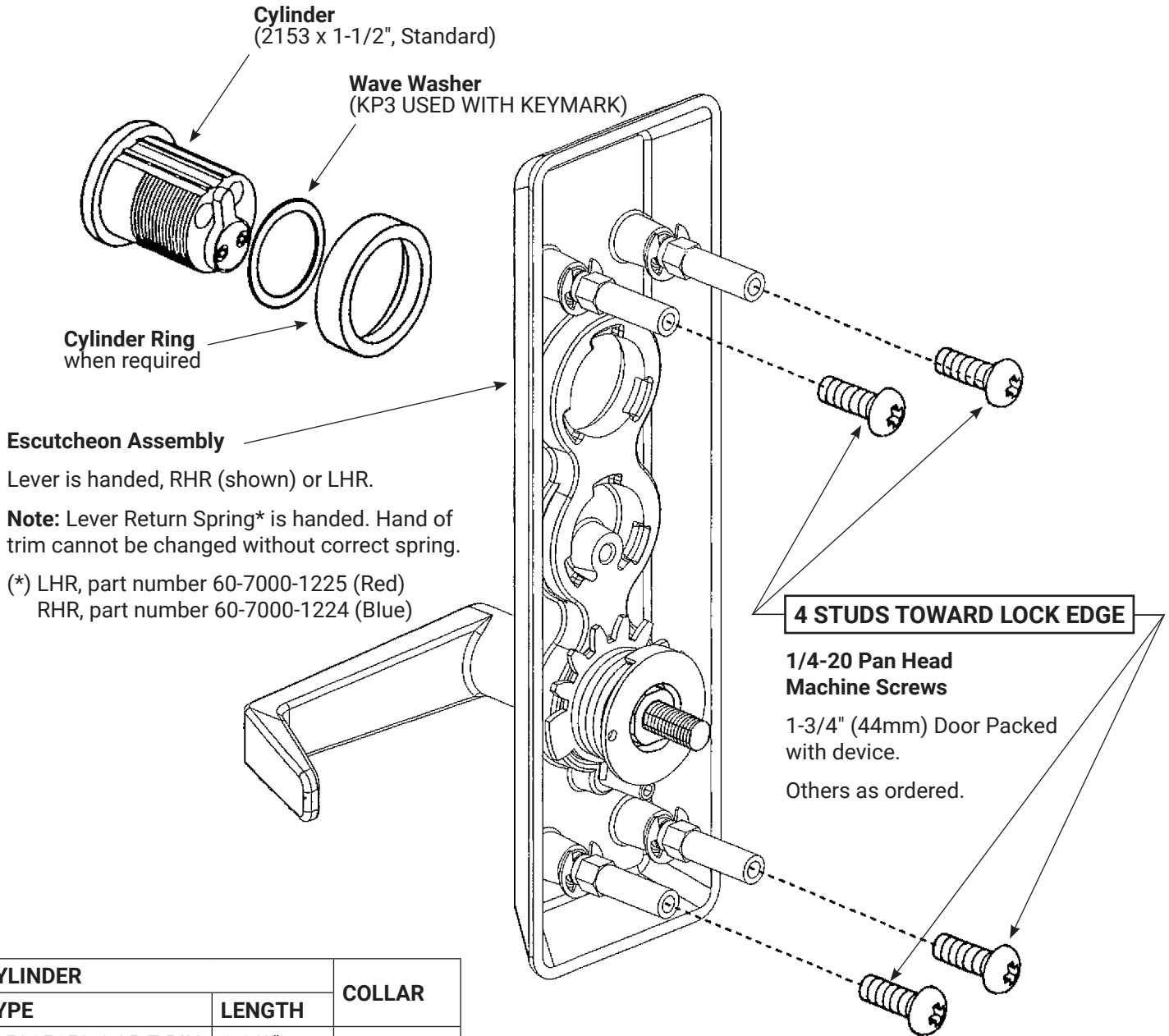
Series Trim

Installation Instructions

ACCENTRA

ASSA ABLOY

356(F) TRIM COMPONENTS



CYLINDER		COLLAR
TYPE	LENGTH	
215315153 6 OR 7 PIN	1-1/2"	—
2196 / 5196 6 PIN	STD. I.C.	—
2197 / 5197 7 PIN	STD. I.C.	1765.062
K820 K860	1-11/16"	1765.062*

* Base On 1-3/4" Door Thickness

For Sizes Other Than Those Shown Contact Technical Support.

1-855-557-5078 Ext. 2 • www.accentra-assaabloy.com

Copyright © 2023, 2024 ASSA ABLOY ACCENTRA™ Access and Egress Hardware Group, Inc. All rights reserved. Reproduction in whole or in part without the express written permission of ASSA ABLOY Access and Egress Hardware Group, Inc. is prohibited.

80-8470-0356-000 04/24

Experience a safer
and more open world

