

420F and 429F Series Trim

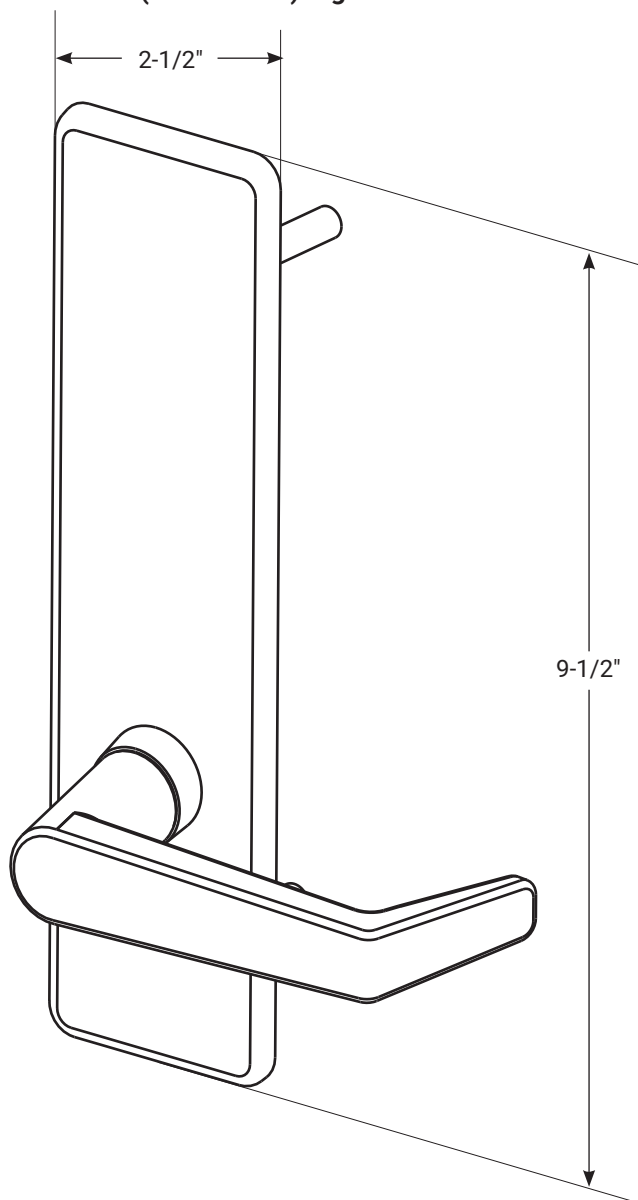
Installation Instructions

ACCENTRA

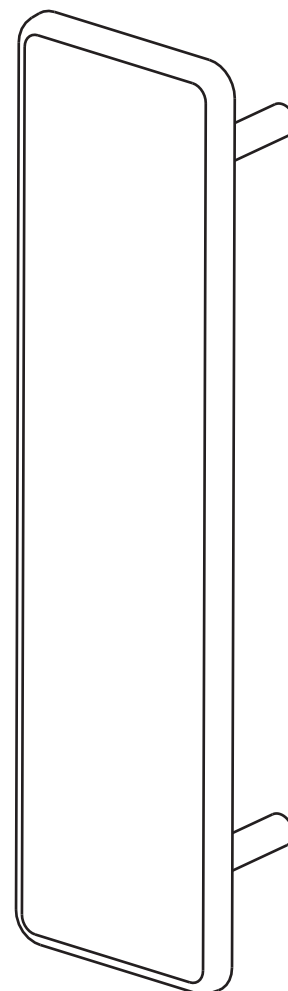
ASSA ABLOY

For use with 7000, 2100, 1800 and 1500 Series
Exit Devices (Wood and Metal Doors)

429F Series Dummy Trim
Handed (RHR or LHR) Rigid Lever



420F Series Blank Trim
Non-Handed



WARNING

This product can expose you to lead which is known to the state of California to cause cancer and birth defects or other reproductive harm. For more information go to www.P65warnings.ca.gov.

WARNING

Attention Installer: Any retrofit or other field modification to a fire rated opening can potentially impact the fire rating of the opening, and ASSA ABLOY makes no representations or warranties concerning what such impact may be in any specific situation. When retrofitting any portion of an existing fire-rated opening, or specifying and installing a new fire-rated opening, please consult with a code specialist or local code official (Authority Having Jurisdiction) to ensure compliance with all applicable codes and ratings.

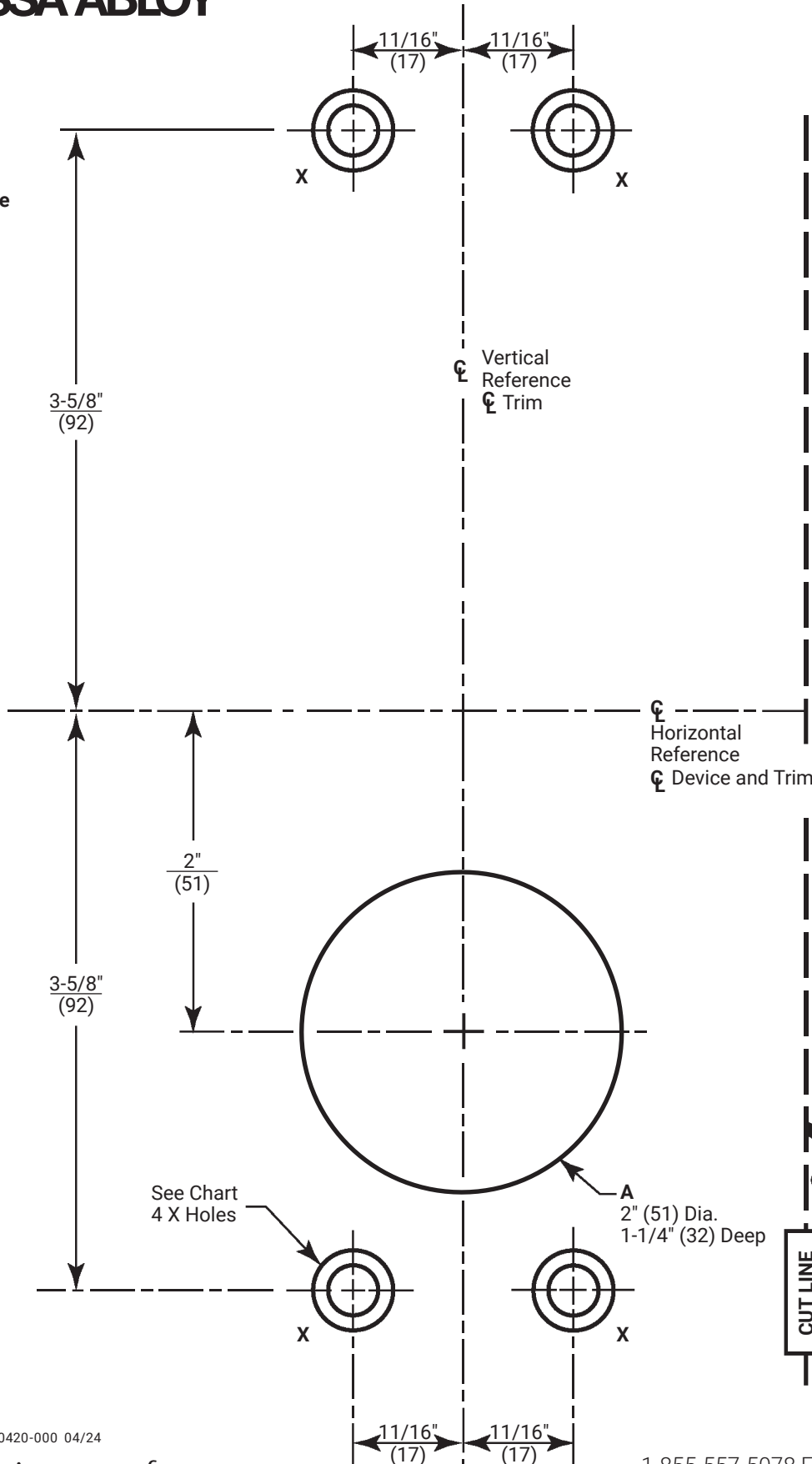
80-8470-0420-000 04/24

1-855-557-5078 Ext. 2 • www.accentra-assaabloy.com

Copyright © 2008, 2013, 2023, 2024, ASSA ABLOY ACCENTRA™ Access and Egress Hardware Group, Inc. All rights reserved. Reproduction in whole or in part without the express written permission of ASSA ABLOY Access and Egress Hardware Group, Inc. is prohibited.

Experience a safer
and more open world

Outside
Door
Face



Trim Template

Holes Marked X (4 Places)

Metal Doors:
Inside Face 5/16" (8) Dia.
Outside Face 1/2" (13) Dia.

Wood Doors:
1/2" (13) Dia. Thru

Dimensions given in $\frac{\text{Inches}}{\text{(mm)}}$

Trim	Holes
420F	X
429F	A, X

Caution:

Office copiers and facsimile machines may change the size of a drawing and make the template inaccurate to use as a door marker. If this is not the original template packed with the trim, use only the holes on the door (do not use template as a door marker).

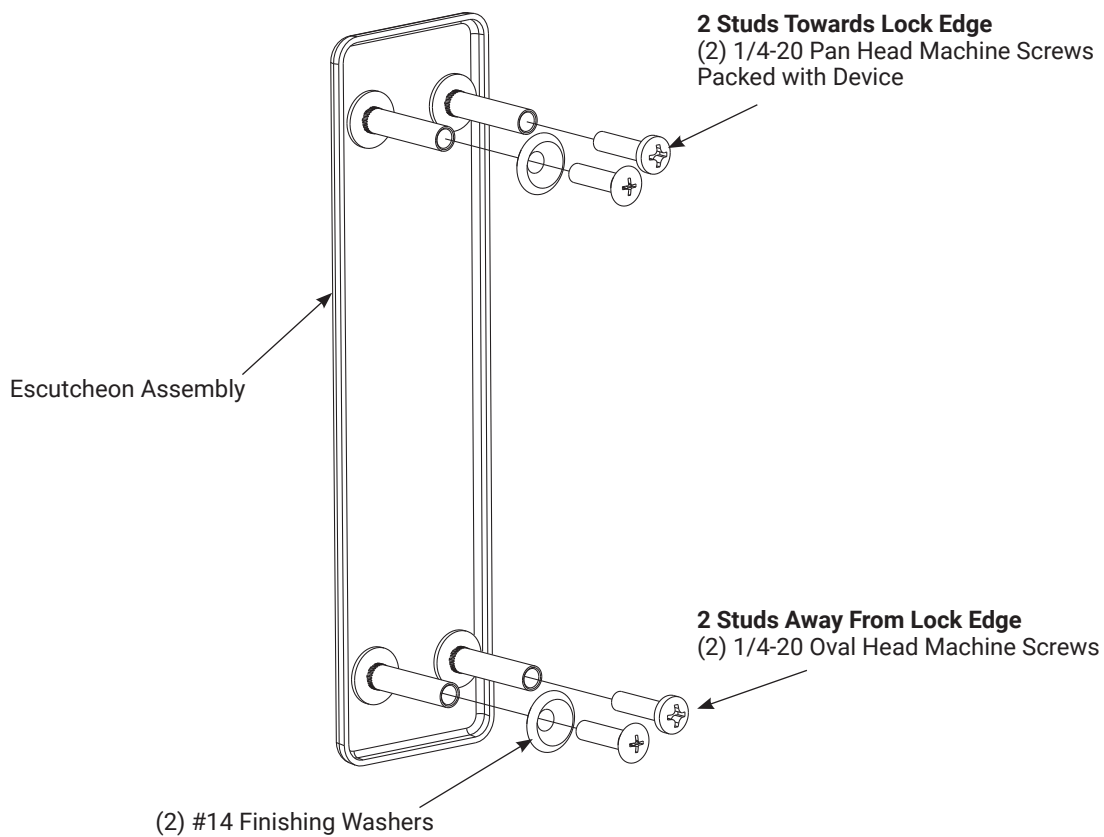
420F and 429F Series Trim

Installation Instructions

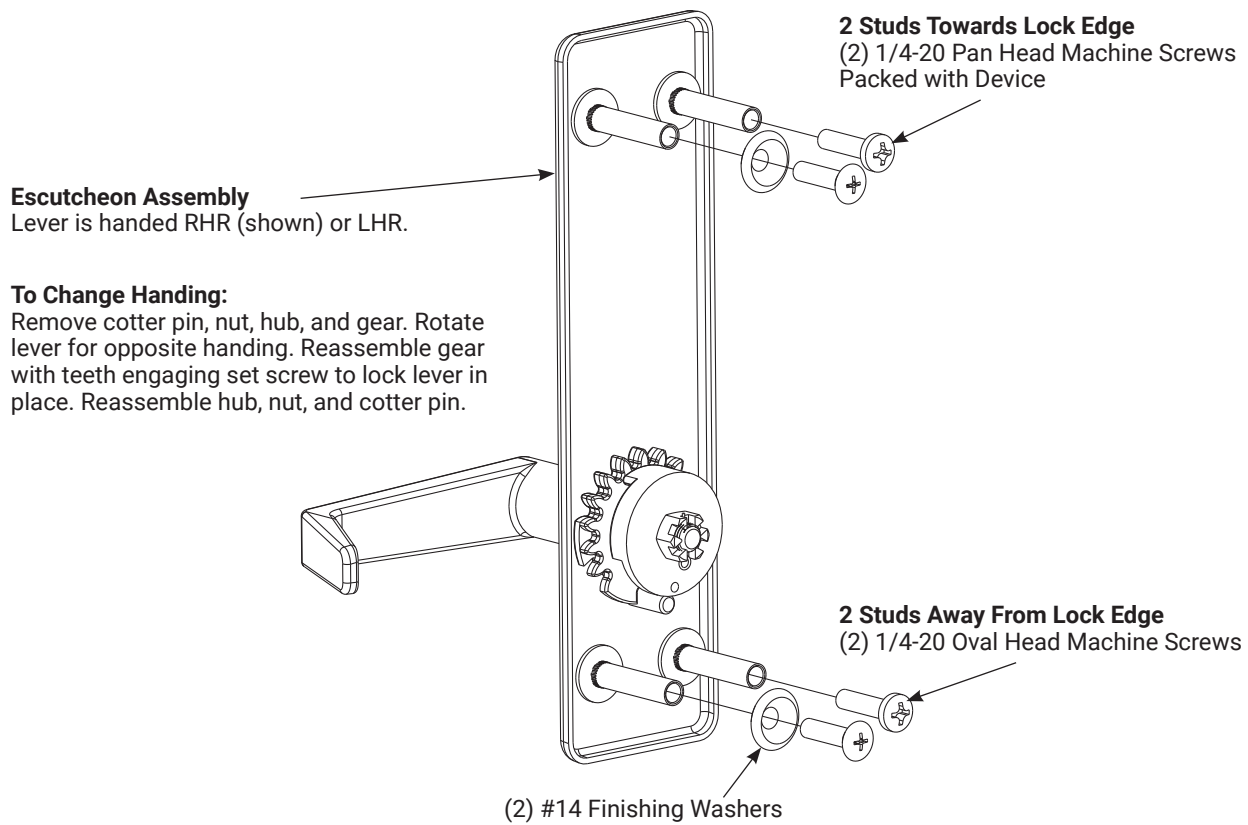
ACCENTRA

ASSA ABLOY

420F Series Blank Trim

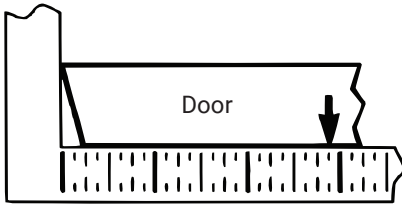


429F Series Dummy Trim

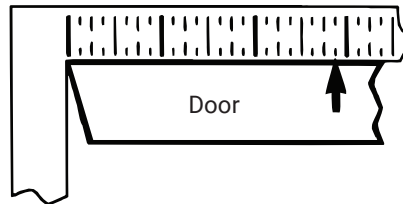


1. Check box for contents. See page 3 for components and instructions.
2. After marking door inside face for device location (Device Instructions), transfer Vertical Reference Centerline from inside to outside door face. Follow steps 2a and 2b below.

2a. Measure inside line location.



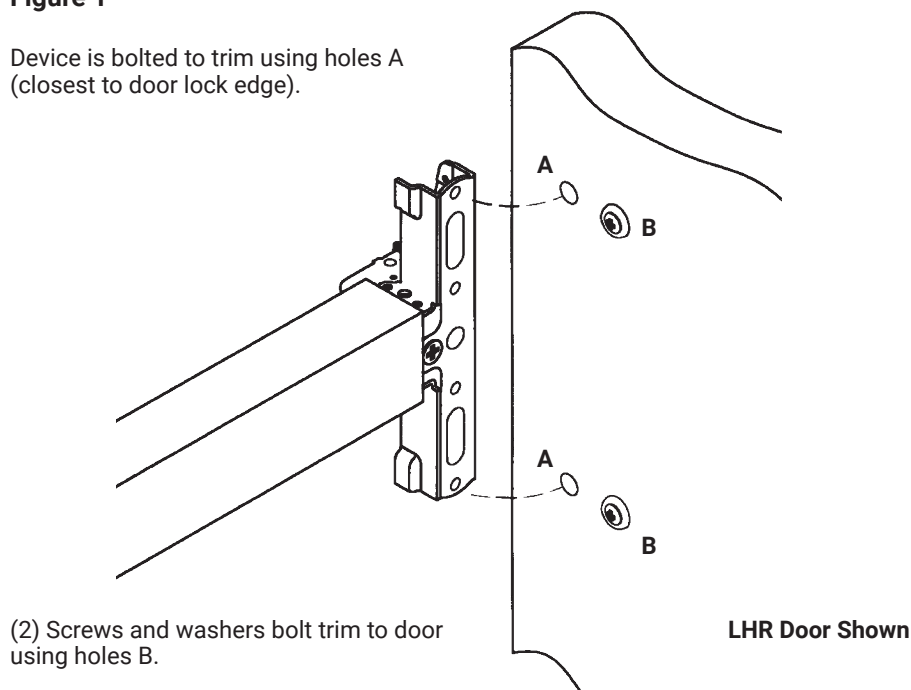
2b. Transfer dimension to outside face.



3. Transfer Horizontal Reference Centerline from inside to outside door face.
4. Align trim template and tape to outside door face.
Caution: Office copiers and facsimile machines may change the size of a drawing and make the template inaccurate to use as a door marker. If this is not the original template packed with the trim, use only the holes on the door (do not use template as a door marker).
5. Spot holes and prepare door for trim.
6. Mount trim to door thru holes B. Fasten finger tight only with (2) screws and washers seating on door as shown in **Figure 1**.
7. Continue as shown in device instructions.

Figure 1

Device is bolted to trim using holes A (closest to door lock edge).



(2) Screws and washers bolt trim to door using holes B.

LHR Door Shown

420F and 429F Series Trim

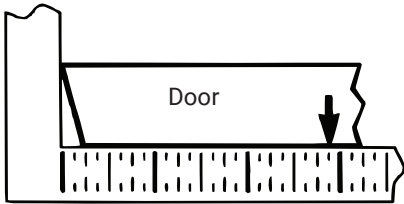
Installation Instructions

ACCENTRA

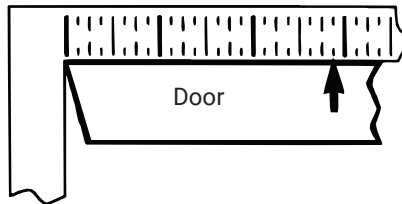
ASSA ABLOY

1. Check box for contents. See page 3 for components and instructions.
2. After marking door inside face for device location (Device Instructions), transfer Vertical Reference Centerline from inside to outside door face. Follow steps 2a and 2b below.

2a. Measure inside line location.



2b. Transfer dimension to outside face.



3. Transfer Horizontal Reference Centerline from inside to outside door face.
4. Align trim template and tape to outside door face.

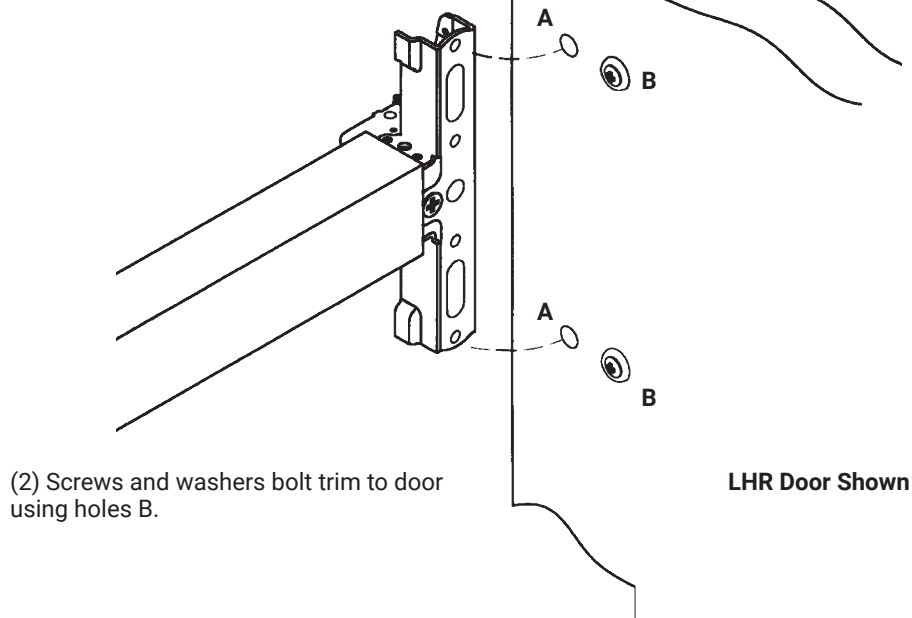
⚠ Caution:

Office copiers and facsimile machines may change the size of a drawing and make the template inaccurate to use as a door marker. If this is not the original template packed with the trim, use only the holes on the door (do not use template as a door marker).

5. Spot holes and prepare door for trim.
6. Mount trim to door thru holes B. Fasten finger tight only with (2) screws and washers seating on door as shown in Figure 1.
7. Continue as shown in device instructions.

Figure 1

Device is bolted to trim using holes A (closest to door lock edge).



(2) Screws and washers bolt trim to door using holes B.

LHR Door Shown