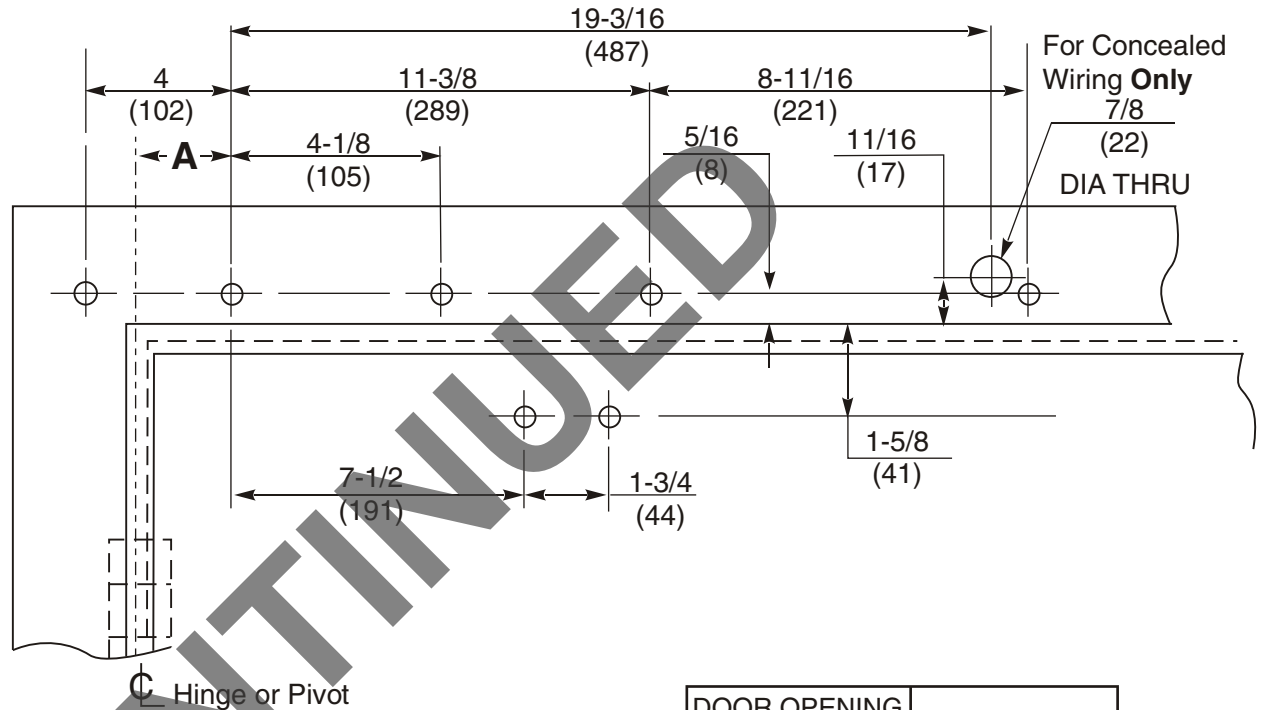


Notes:

- Do not scale drawing.
- Left hand door shown. Same dimensions apply for right hand door, measured from centerline of hinge or pivot.
- Template information based upon use of **4-1/2"** hinges or **3/4"** offset pivots.
- Dimensions are shown in inches and millimeters (mm).
- Hollow metal doors require channel or box-type reinforcement when thru-bolt mount is specified.
- Sex-nuts are required for wood or plastic faced fire-door installations.
- Minimum thickness recommended for reinforcements in hollow metal doors and frames is .1046 (2.66) unless noted otherwise.
- Minimum ceiling clearance for closer unit is 3-1/4" (83).
- Maximum hinge side frame reveal is 7" (180).



| DOOR OPENING ANGLE | Dim "A" |
|--------------------|-------------|
| TO 100° | 5-7/8 (150) |
| 100° TO 180° | 3-1/8 (80) |

| Preparation for Fasteners | | | |
|---------------------------|--------------------------------|-----------------------|--|
| | Fasteners | Door or Frame | Drill-Sizes |
| Standard | 1/4" - 20 machine screw | Metal | Drill: #7 (0.201" dia.) Tap: 1/4" - 20 |
| | Sleeve nuts and bolts | Hollow Metal | 9/32" (7 mm) through; 3/8" (9.5 mm) door face opposite to closer |
| Aluminum or Wood | | 3/8" (9.5 mm) through | |
| Optional | Through-bolts and grommet-nuts | All | 9/32" (7 mm); 3/8" (9.5 mm) dia. x 3/8" (9.5 mm) deep on door opposite to closer |

This template covers the following Combination Door Closer-Holders:

| | |
|----------|----------|
| MASTER | SLAVE |
| 4220MPDO | 4220MPSO |
| 4230MPDO | 4230MPSO |

Yale Series 4220MPSO and 4220 MPDO or 4230MPSO and 4230MPDO
 Combination Door Closer-Holder and Releasing Device with Multi Point Selective Hold Open
 Double Lever Closer Arm
 Stop (Push) Side of Door Installation

1-800-438-1951



www.yalecommercial.com

| | |
|------------------|--------------|
| TEMPLATE NUMBER | DATE |
| 7342-1354 | 03-10 |