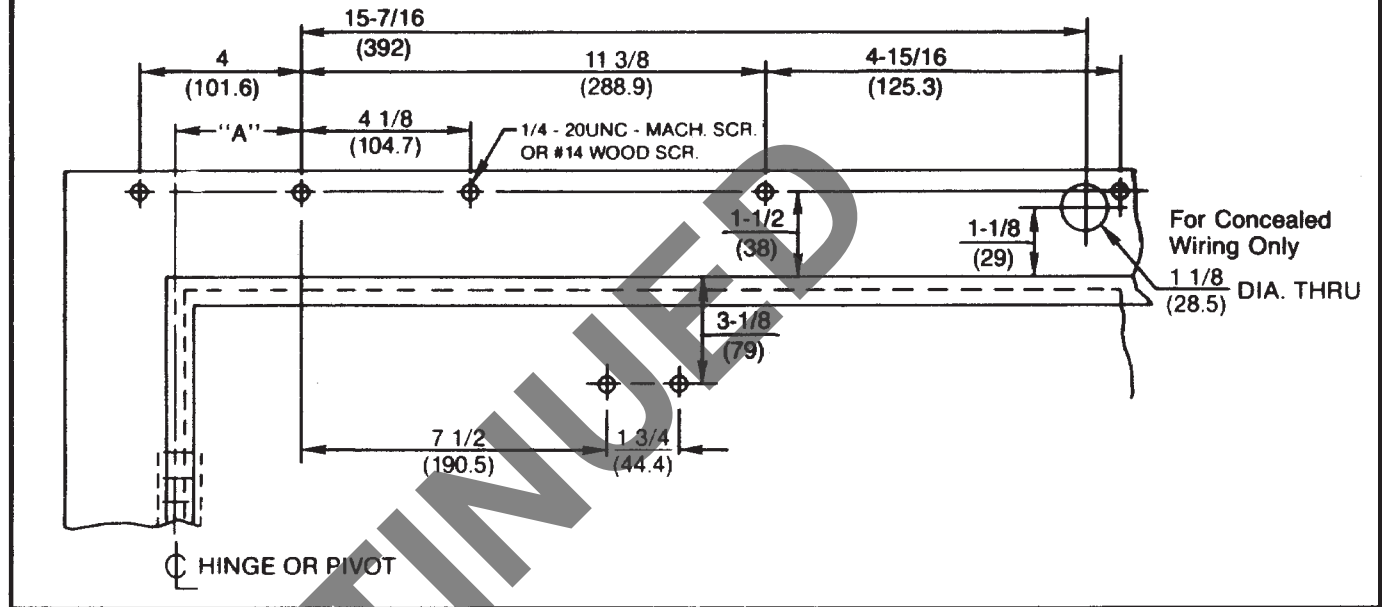


DOOR OPENING ANGLE	Dimension "A"	
	inches	(mm.)
TO 100°	5-7/8	150
100° TO 180°	3-1/8	80

Notes:

- Do not scale drawing.
- Left hand door shown. Same dimensions apply for right hand door, measured from centerline of hinge or pivot.
- Template information based upon use of 4-1/2" hinges or 3/4" offset pivots.
- Dimensions are shown in inches and millimeters (mm.).
- Hollow metal doors require channel or box-type reinforcement when thru-bolt mount is specified.
- Sex-nuts are required for wood or plastic faced fire-door installations.
- Minimum thickness recommended for reinforcements in hollow metal doors and frames is .1046" (2.66) unless noted otherwise.
- Minimum ceiling clearance for closer unit is 2" (51).
- Maximum frame reveal for this installation



PREPARATION FOR FASTENERS		
Fastener	Opening	Drill Sizes
1/4"-20 Machine Screw	Metal Door or Frame	#7 [.201" (5.10mm.) dia.] drill 1/4"-20 UNC Tap
Sex nuts and bolts	Wood or Composite Door	3/8" (9.50mm) through; 9/16" (15.00mm.) diameter X 1/8" (3mm.) deep on face opposite to closer
Through bolts and grommet nuts	Composite Door	From face opposite to closer: 9/32" (7.00mm.) through; 3/8" (9.50mm.) diameter X 1/2" (13mm.) deep; 5/8" (16.00mm.) diameter X 1/8" (3mm.) deep

**4220MPO or 4230MPO Combination Door Closer-Holder and Releasing Device
Drop Application with Double Lever Closer Arm
Stop (Push) Side of Door Installation**

Yale
100 Yale Ave.
Lenoir City, TN 37771-3226
1-800-438-1951
www.yalecommercial.com

TEMPLATE NUMBER	DATE
7342-1362	07-09