

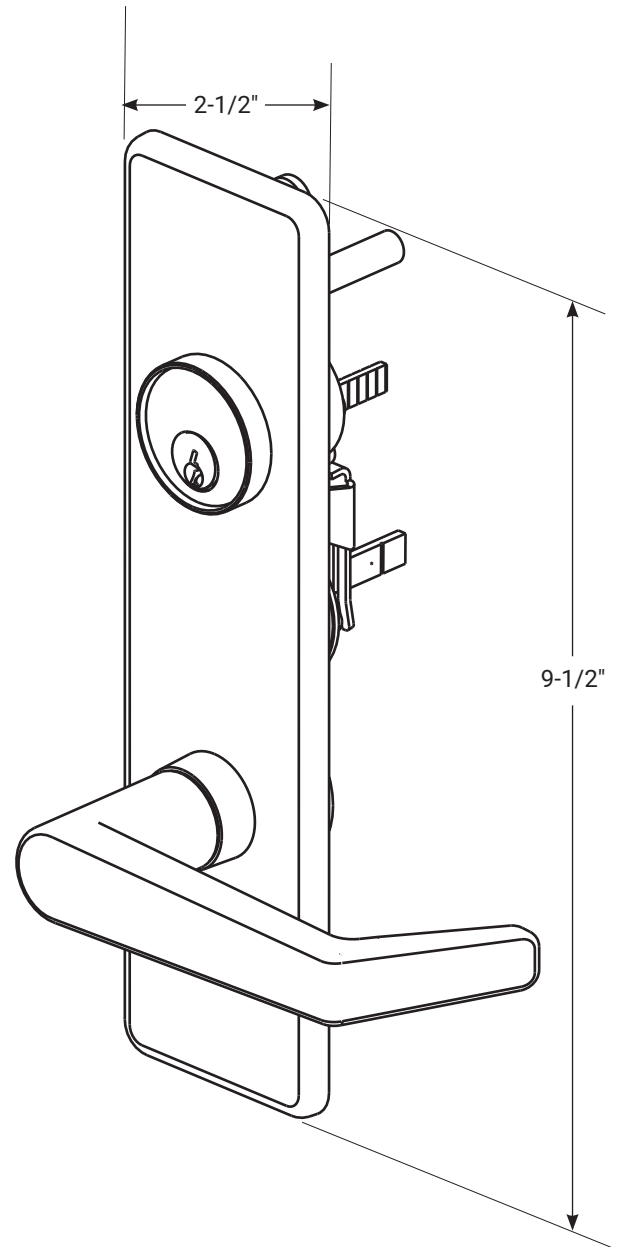
426F Series Trim

Installation Instructions

ACCENTRA

ASSA ABLOY

**For use with ASSA ABLOY ACCENTRA™
7000, 2100, 1800 and 1500 Series
Exit Devices (Wood and Metal Doors)**



⚠ WARNING

This product can expose you to lead which is known to the state of California to cause cancer and birth defects or other reproductive harm. For more information go to www.P65warnings.ca.gov.

⚠ WARNING

Attention Installer: Any retrofit or other field modification to a fire rated opening can potentially impact the fire rating of the opening, and ASSA ABLOY makes no representations or warranties concerning what such impact may be in any specific situation. When retrofitting any portion of an existing fire-rated opening, or specifying and installing a new fire-rated opening, please consult with a code specialist or local code official (Authority Having Jurisdiction) to ensure compliance with all applicable codes and ratings.

80-8470-0426-000 04/24

1-855-557-5078 Ext. 2 • www.accentra-assaabloy.com

Copyright © 2008, 2013, 2023, 2024, ASSA ABLOY ACCENTRA™ Access and Egress Hardware Group, Inc. All rights reserved. Reproduction in whole or in part without the express written permission of ASSA ABLOY Access and Egress Hardware Group, Inc. is prohibited.

Experience a safer
and more open world

Outside Door Face

Trim Template

Holes Marked X (4 Places)

Metal Doors:

Inside Face 5/16" (8) Dia.
Outside Face 1/2" (13) Dia.

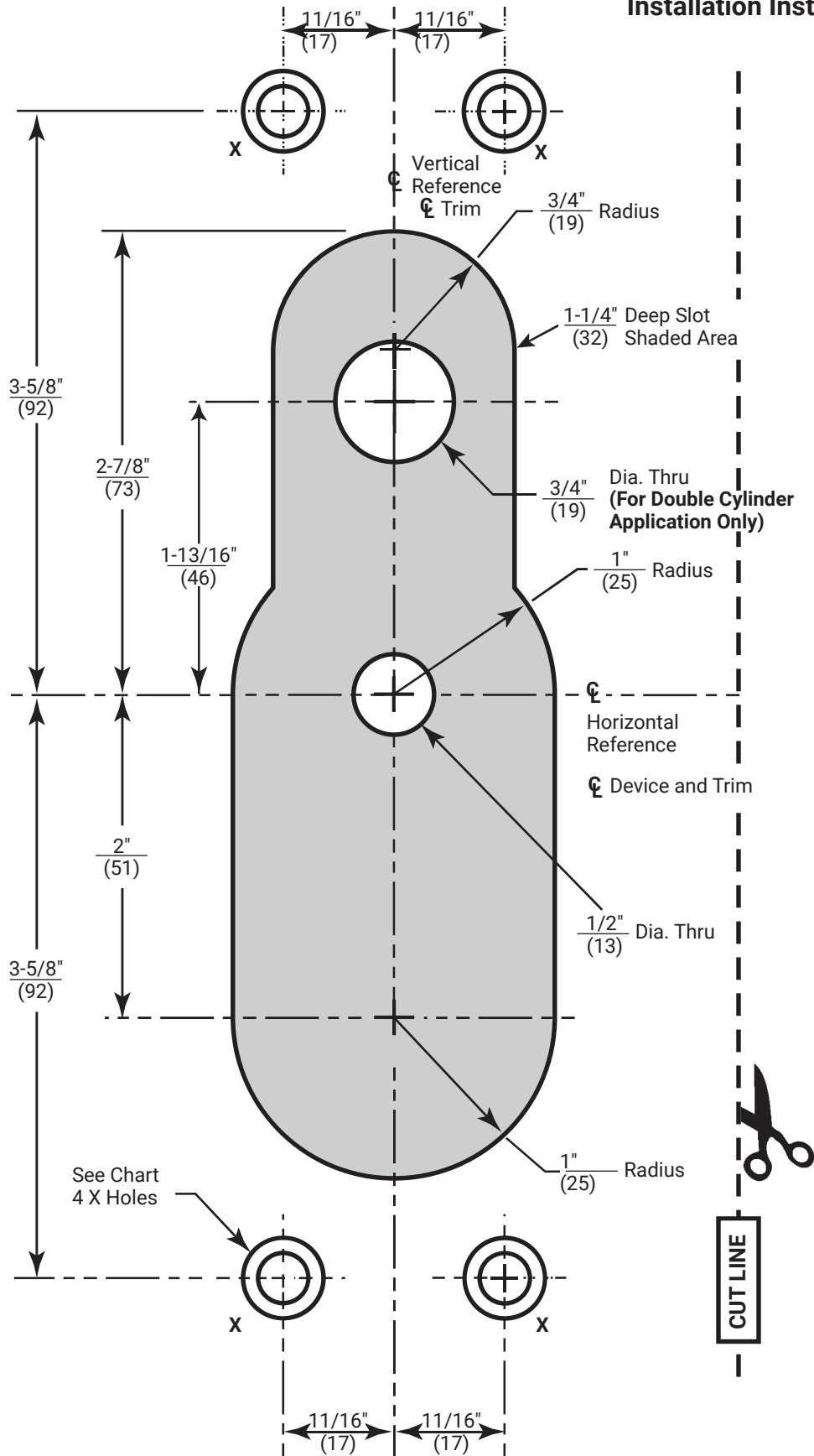
Wood Doors:

1/2" (13) Dia. Thru

Dimensions given in $\frac{\text{Inches}}{\text{(mm)}}$

Caution:

Office copiers and facsimile machines may change the size of a drawing and make the template inaccurate to use as a door marker. If this is not the original template packed with the trim, use only the holes on the door (do not use template as a door marker).



426F Series Trim

Installation Instructions

ACCENTRA

ASSA ABLOY

This page intentionally left blank

Trim Assembly

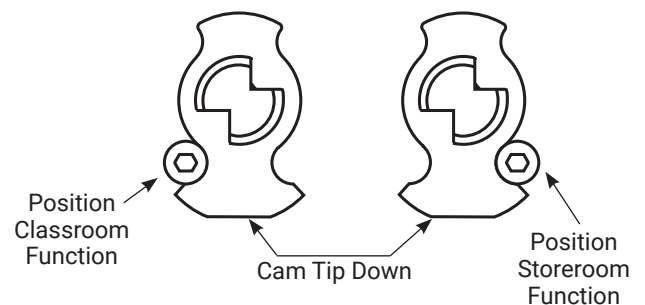
1. Check cylinder components. Refer to cylinder collar chart.
2. When required, cut cylinder tailpiece.
3. Assemble cylinder.
 - a. Insert cylinder housing prongs into matching notches of escutcheon. Pass cylinder tailpiece thru cylinder collar (when required) and hole in cylinder housing.
 - b. Fasten cylinder using (2) mounting screws. DO NOT OVERTIGHTEN SCREWS. See Double Cylinder detail below.
4. Check cylinder action. Rotate cylinder tailpiece to cam the clutch lever down. This depresses the trim spindle assembly which disengages the trim spindle from the lever handle, putting the trim in a free-wheeling, locked mode.

Cylinder Collar Chart	
Cylinder Length	Collar
1-1/8" (29)	1765.250**
1-1/4" (32)	1765.250**
1-1/2" (38)	1765.656**

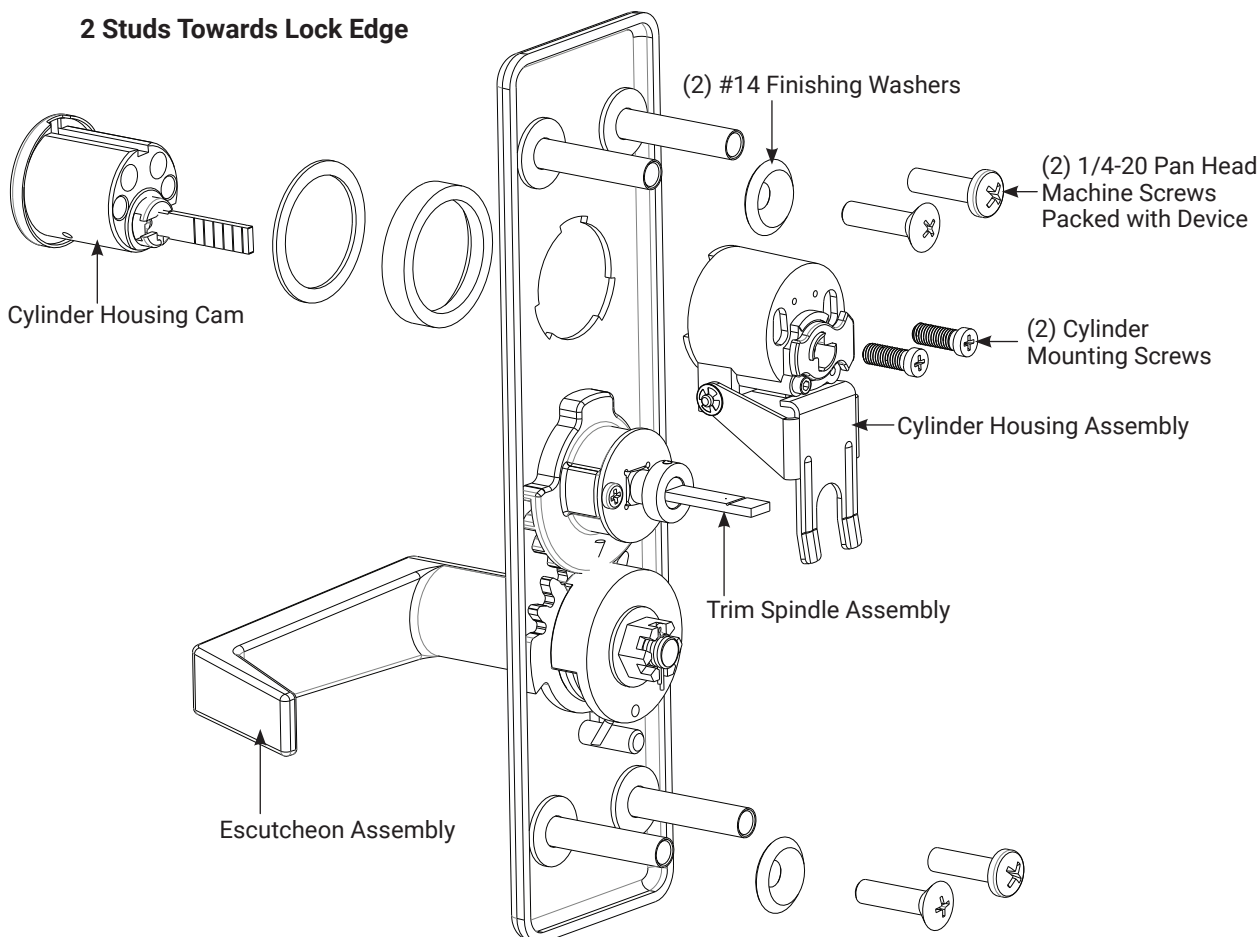
** Specify finish

To Change Trim Function:

1. Rotate cam tip to down position (locked mode).
2. Move function screw as shown.



2 Studs Towards Lock Edge



426F Series Trim

Installation Instructions

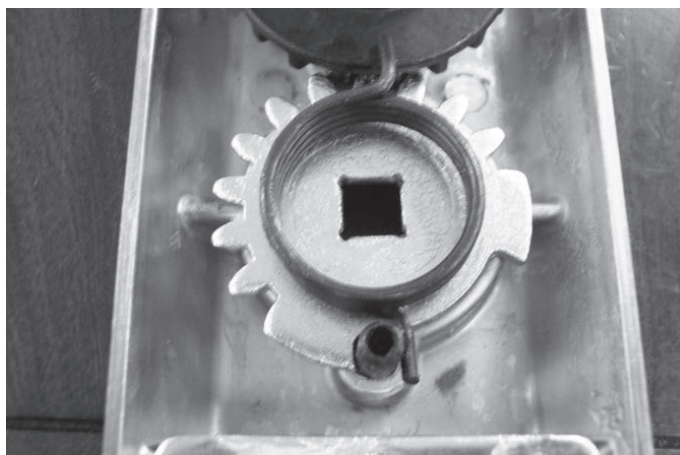
ACCENTRA

ASSA ABLOY

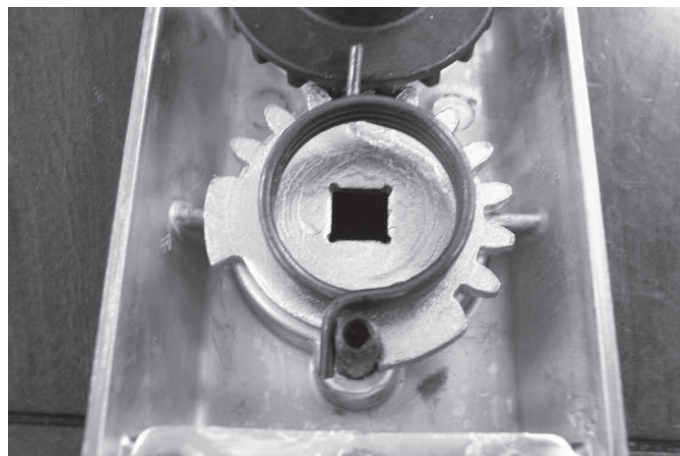
How to Change Handing

426F, 427F and 428F Exit Device Trim

Left Hand Reverse Gear & Spring Orientation



Right Hand Reverse Gear & Spring Orientation



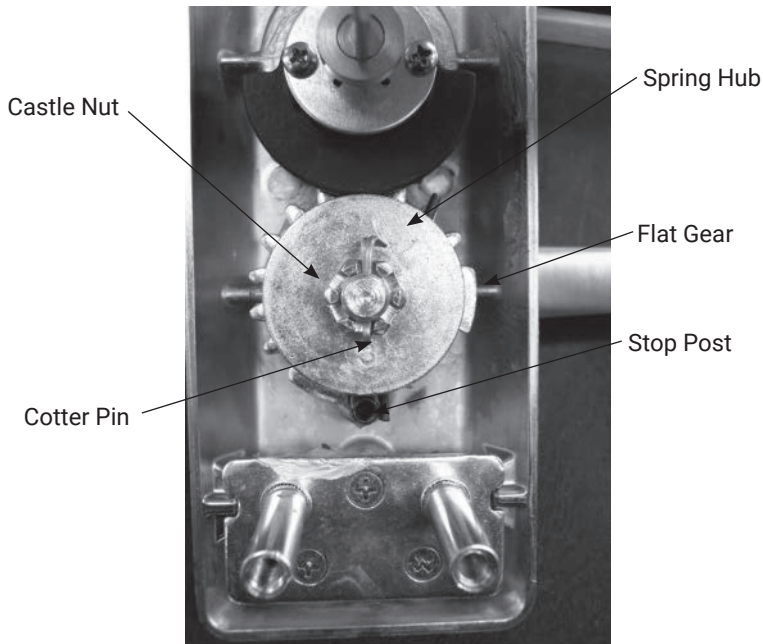
NOTES:

1. During change ensure black driven gear does not rotate.
2. Please wear safety glasses and be aware of spring tension on spring hub upon removal and assembly.
3. Light lubrication is recommended under flat gear, white lithium grease can be used.

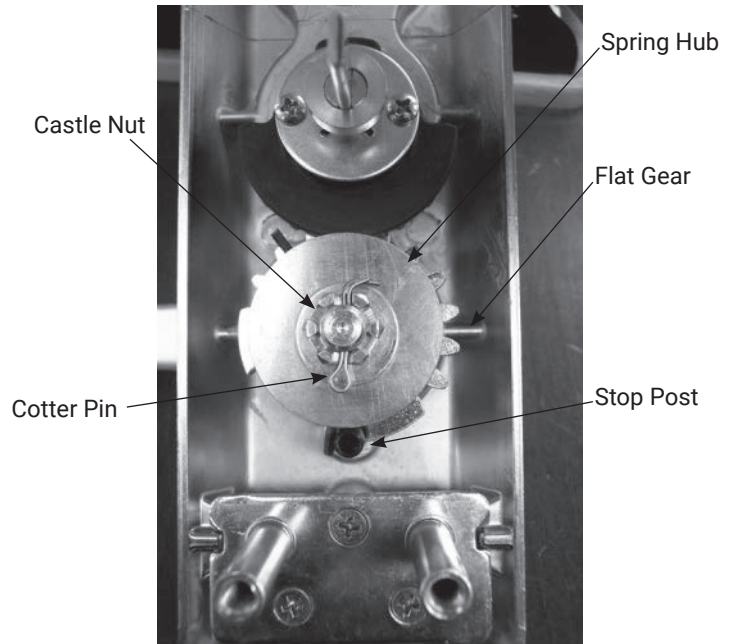
To Change Hands

Tools Needed: Needle Nose pliers, Crescent wrench

Left Hand Reverse

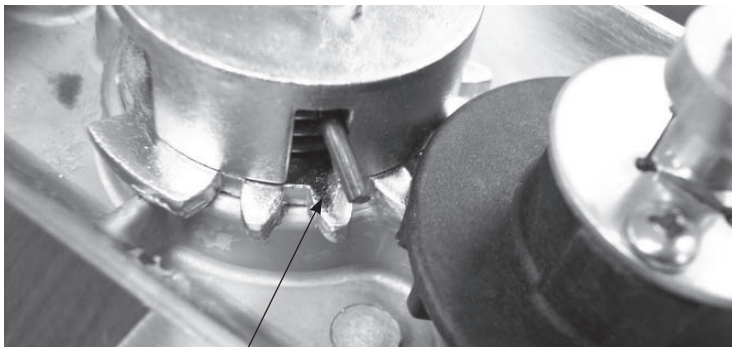


Right Hand Reverse

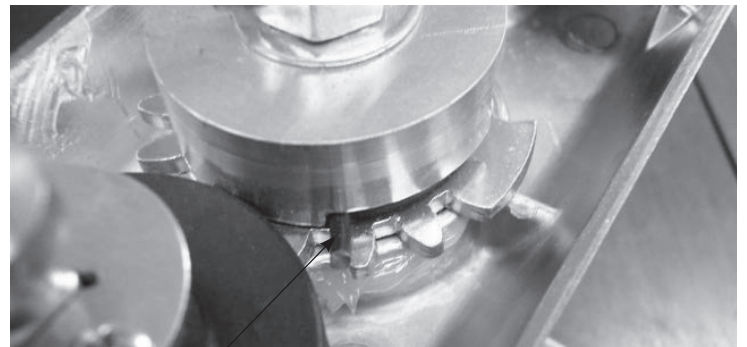


1. Remove cotter pin.
2. Remove castle nut.
3. Remove washer.
4. Carefully pull up on spring hub to disengage spring.
5. Remove spring and note orientation.
6. Remove lever handle.
7. Pick-up flat gear, flip and orient stop on opposite side of stop post. See pictures for orientation.
8. Install spring upside down from original orientation and place spring leg on opposite side of stop post from original installation orientation. See pictures for orientation.

9. Install lever 180 degrees from original position.
10. Install spring hub with stamped number in the 6 o'clock position.
11. Rotate spring leg around with needle nose pliers to engage notch in spring hub, refer to pictures for reference position. Press down on spring hub to ensure complete engagement.
12. Install washer.
13. Install castle nut, do not over tighten, verify by ensuring lever returns horizontally on its own.
14. Install cotter pin.



Notch for spring to engage for left hand reverse operation



Spring orientation for right hand reverse operation

80-8470-0426-000 04/24

Experience a safer
and more open world

1-855-557-5078 Ext. 2 • www.accentra-assaabloy.com

Copyright © 2008, 2013, 2023, 2024, ASSA ABLOY ACCENTRA™ Access and Egress Hardware Group, Inc. All rights reserved. Reproduction in whole or in part without the express written permission of ASSA ABLOY Access and Egress Hardware Group, Inc. is prohibited.

426F Series Trim

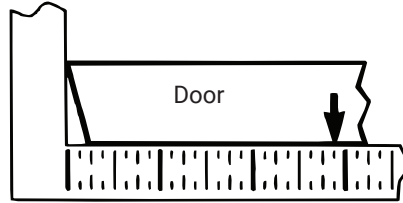
Installation Instructions

ACCENTRA

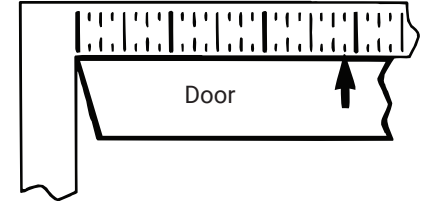
ASSA ABLOY

Installation

1. Assemble trim. See page 4 for components and instructions.
2. After marking door inside face for device location (Device Instructions), transfer Vertical Reference Centerline from inside to outside door face. Follow steps 2a and 2b to the right.
3. Transfer Horizontal Reference Centerline from inside to outside door face.
4. Align trim template and tape to outside door face.



2a. Measure inside line location.

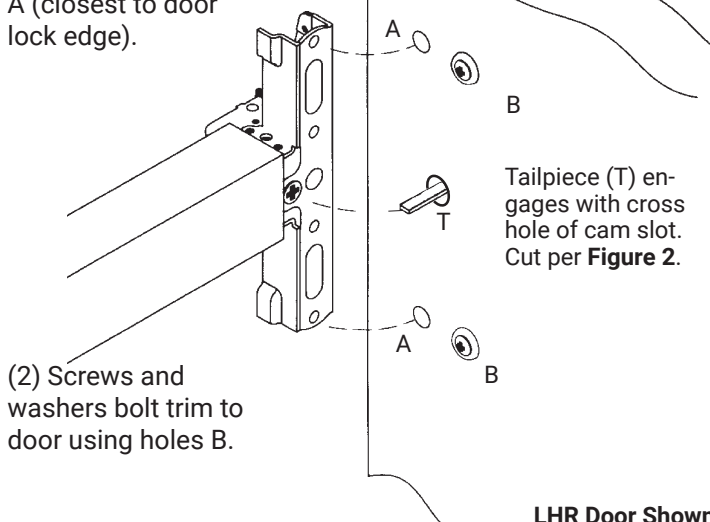


2b. Transfer dimension to outside face.

5. Spot holes and prepare door for trim.
6. Mount trim to door thru holes B. Fasten finger tight only with (2) screws and washers seating on door as shown in **Figure 1**.
7. Cut trim tailpiece as shown in **Figure 2**.
8. Seat device so that the trim tailpiece penetrates the cam slot as shown in **Figure 1**.
9. Continue as shown in the device instructions.

Figure 1

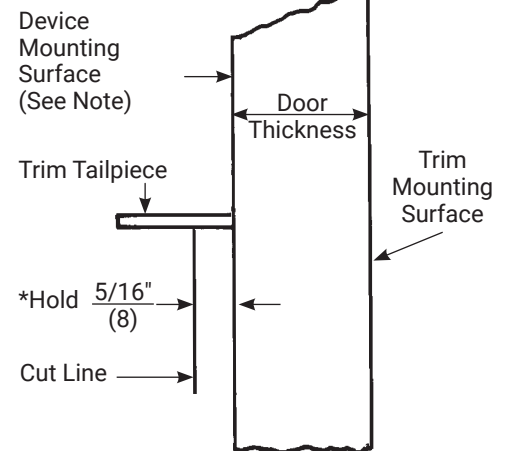
Device is bolted to trim using holes A (closest to door lock edge).



(2) Screws and washers bolt trim to door using holes B.

LHR Door Shown

Figure 2



*Hold $\frac{5}{16}$ " (8)

Cut Line

Note: Measure from device mounting surface (door face or shim surface).
* Trim must be in un-locked position.

