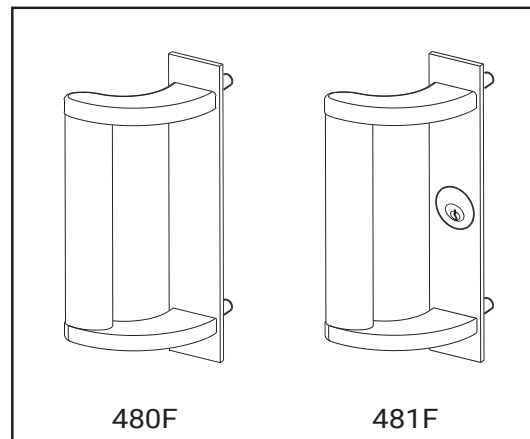
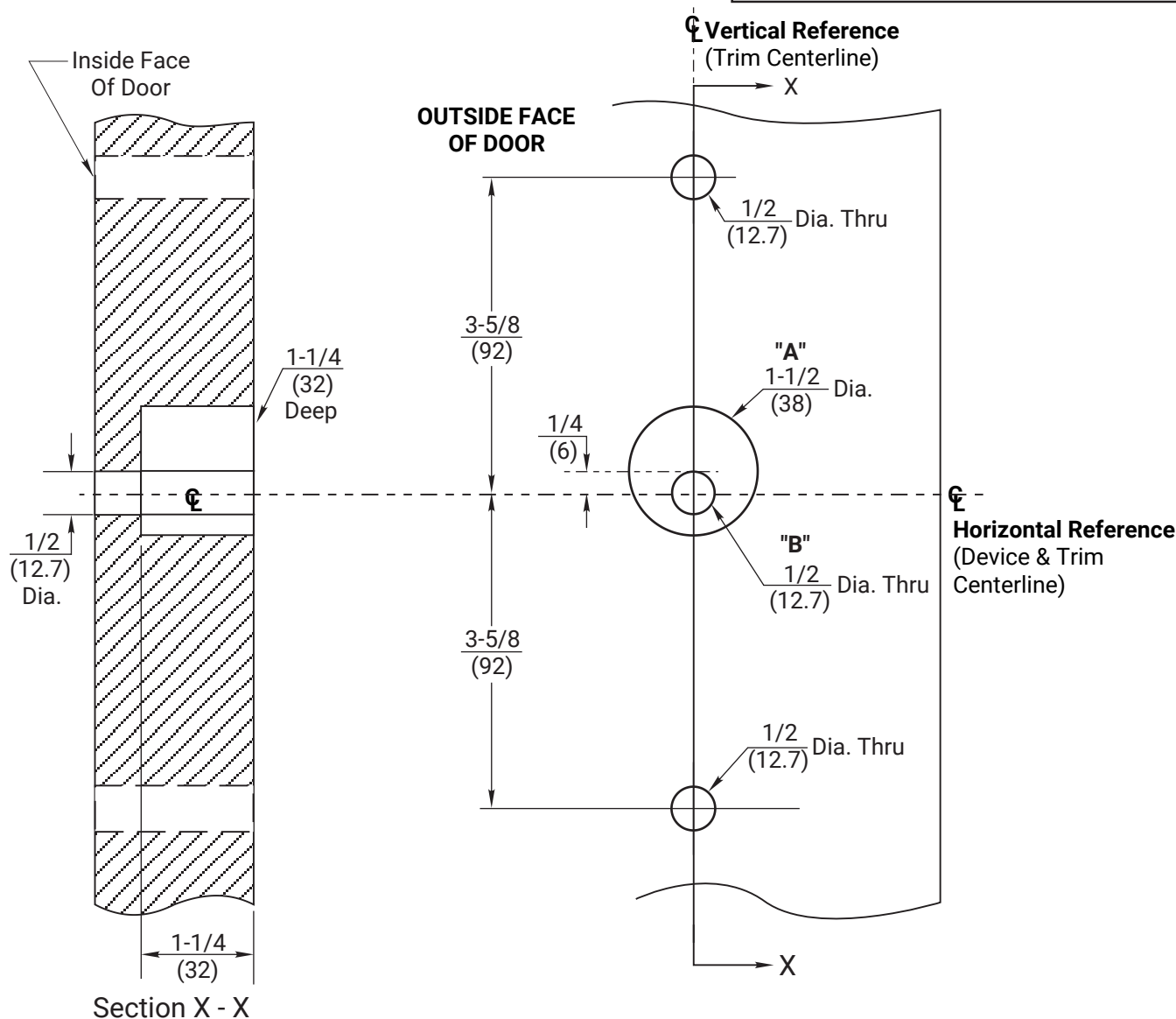


NOTES:

1. This template is an addition to the device template. Locate centerlines using horizontal and vertical references on device template.
2. Do not scale drawing.
3. Dimensions are in inches (mm).
4. LHR door shown. Preparation is typical for both door hands.
5. Provide adequate structural support to maintain door integrity during operation.
6. Prepare mounting holes when installing trim.
7. Dimensions given about a centerline are symmetrical.
8. For 481F use "A" and "B" holes. For 480F DO NOT use.



Note: Lever and knob prefix does not affect door prep.



RESPONSIBILITY
 DOOR AND FRAME MANUFACTURERS ARE RESPONSIBLE FOR PROVIDING ADEQUATE CONSTRUCTION OR REINFORCEMENTS FOR PROPER INSTALLATION OF HARDWARE SHOWN. ALL ARCHITECTURAL BUILDERS HARDWARE MUST BE INSTALLED ON PROPERLY REINFORCED DOORS AND FRAMES, REGARDLESS OF TYPE, MATERIAL, OR METHOD OF CONSTRUCTION.

480F & 481F Trim
 7-1/2" Escutcheon, Wood or Composite
 Door Preparation For use with 6200 & 7200(F)
 Series Rim and Vertical Rod Exit Devices
 1-855-557-5078 Ext. 2
 www.accentra-assaabloy.com



Experience a safer and more open world

Copyright © 2015, 2024, ASSA ABLOY ACCENTRA™ Access and Egress Hardware Group, Inc. All rights reserved. Reproduction in whole or in part without the express written permission of ASSA ABLOY Access and Egress Hardware Group, Inc. is prohibited.

<small>SUPERSEDES</small>	05/15	<small>DO NOT SCALE DRAWING</small>	
<small>TEMPLATE NUMBER</small>	7400-1480	<small>SHEET</small>	1 of 1
		<small>DATE</small>	04-24