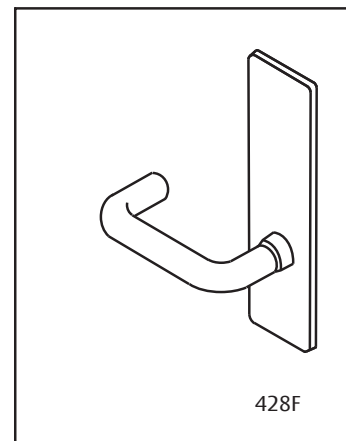


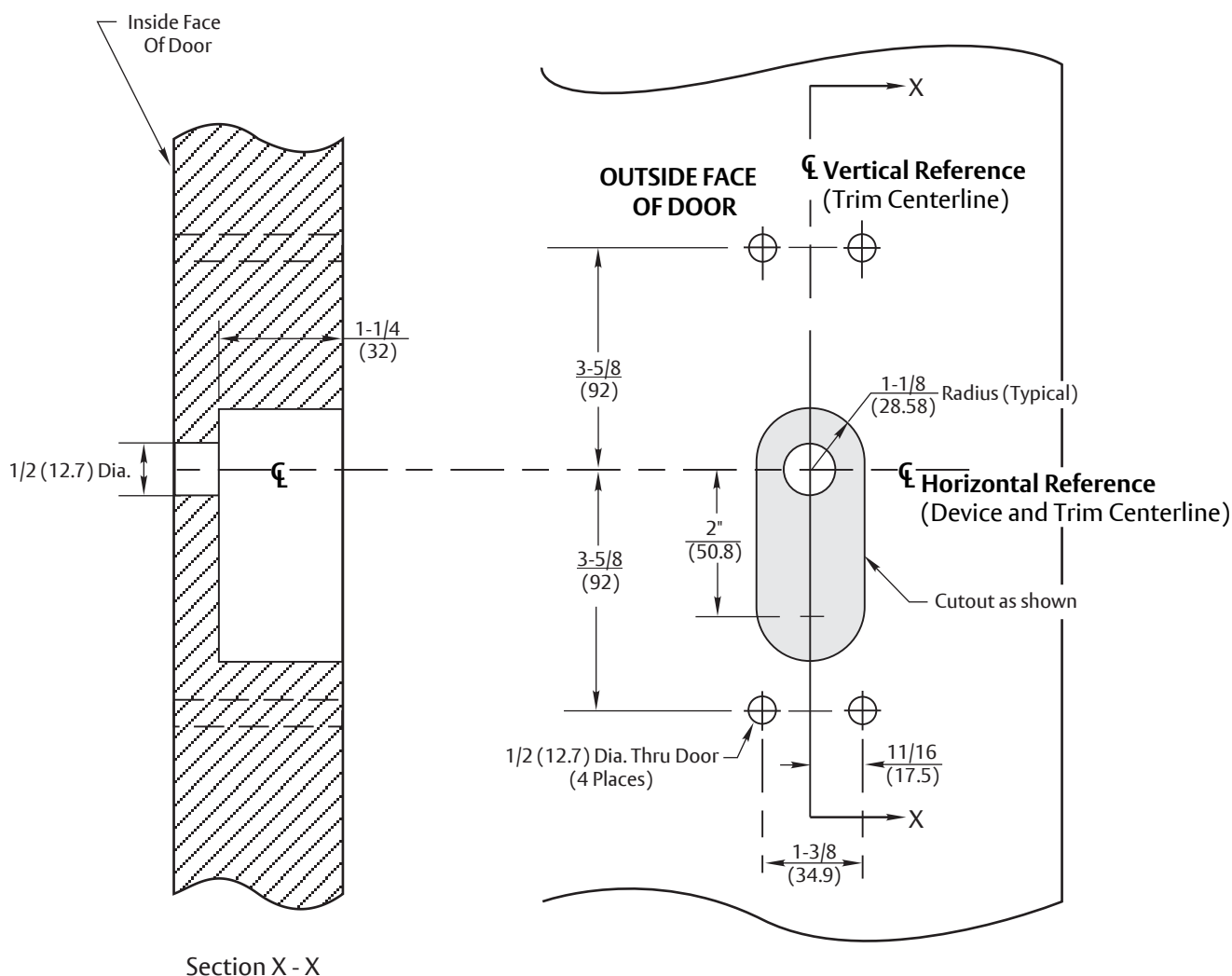
**NOTES:**

1. This template is an addition to the device template. Locate centerlines using horizontal and vertical references on device template.
2. Do not scale drawing.
3. Dimensions are in inches (mm).
4. LHR door shown. Preparation is typical for both door hands.
5. Provide adequate structural support to maintain door integrity during operation.
6. Prepare mounting holes when installing trim.
7. Dimensions given about a centerline are symmetrical.
8. For dummy trim, center hole from inside face may be omitted between lock mortise and electric hinge.



428F

Note: Lever design prefix does not affect door prep.



Section X - X

**RESPONSIBILITY**

DOOR AND FRAME MANUFACTURERS ARE RESPONSIBLE FOR PROVIDING ADEQUATE CONSTRUCTION OR REINFORCEMENTS FOR PROPER INSTALLATION OF HARDWARE SHOWN. ALL ARCHITECTURAL BUILDERS HARDWARE MUST BE INSTALLED ON PROPERLY REINFORCED DOORS AND FRAMES, REGARDLESS OF TYPE, MATERIAL, OR METHOD OF CONSTRUCTION.

**428F Trim**

With 1800(F), 6100(F) or 6170(F) Series Rim and Vertical Rod Exit Devices

**Wood Door Preparation**

Contact us for support at 1-855-557-5078.

**ASSA ABLOY**

SUPERSEDES	06/15	DO NOT SCALE DRAWING
TEMPLATE NUMBER	7400-1428	DATE 12-23