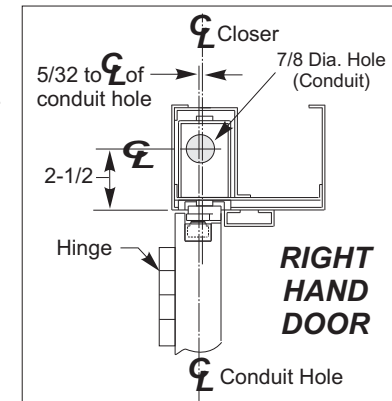


NOTES:

- Do not scale drawing.
- Left hand door shown.
- Hardware dimensions shown (not cutout).
- Dimensions are in inches.
- Minimum thickness recommended for reinforcements in hollow metal doors and frames: .1046" (2.66mm.) unless otherwise noted.
- Minimum door width 27 inches.
- Track is 24 inches long.
- Maximum width hinge is 5 inches.
- Door can swing to 180 degrees conditions permitting.



Fastener	Use	Preparation
1/4-20 machine screw	metal frame and metal door	#7 (.201" dia.) Drill 1/4-20 tap
#14 wood screw	wood door	7/32" Drill

**4290MPS Series Combination Door Closer-Holder and Releasing Device
Overhead Concealed Closer with Rigid Slide Arm
Door Closer Assembly Mounted in Hollow Metal Frame
For Use on Doors Hung on 5" Wide Butt Hinges (max.)**

Yale 100 Yale Ave.
Lenoir City, TN 37771-3226
1-800-438-1951
www.yalecommercial.com

TEMPLATE NUMBER	DATE
7342-1290	07-09